

MANUFACTURED UNDER ONE OR MORE OF THE FOLLOWING US PATENTS:

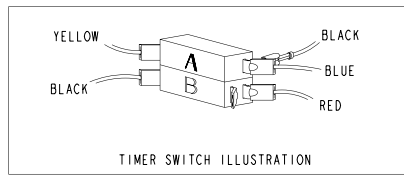
4669200, 4700495, 4754556, 4840285, 4865366, 4899464,
 4908959, 4989347, 5066050, 5560120, 5809828, 6020698,
 6047486, 6199300, 6446357, D314261, D314262, D457991,
 D457992

MANUFACTURED UNDER ONE OR MORE OF THE FOLLOWING CANADIAN PATENTS:
 FABRIQUE SOUS UN OU PLUSIEURS DES BREVETS CANADIENS SUIVANTS:

1273387, 1315539, 2016304

MANUFACTURADO BAJO UNA O MAS DE LAS SIGUIENTES PATENTES MEXICANAS:

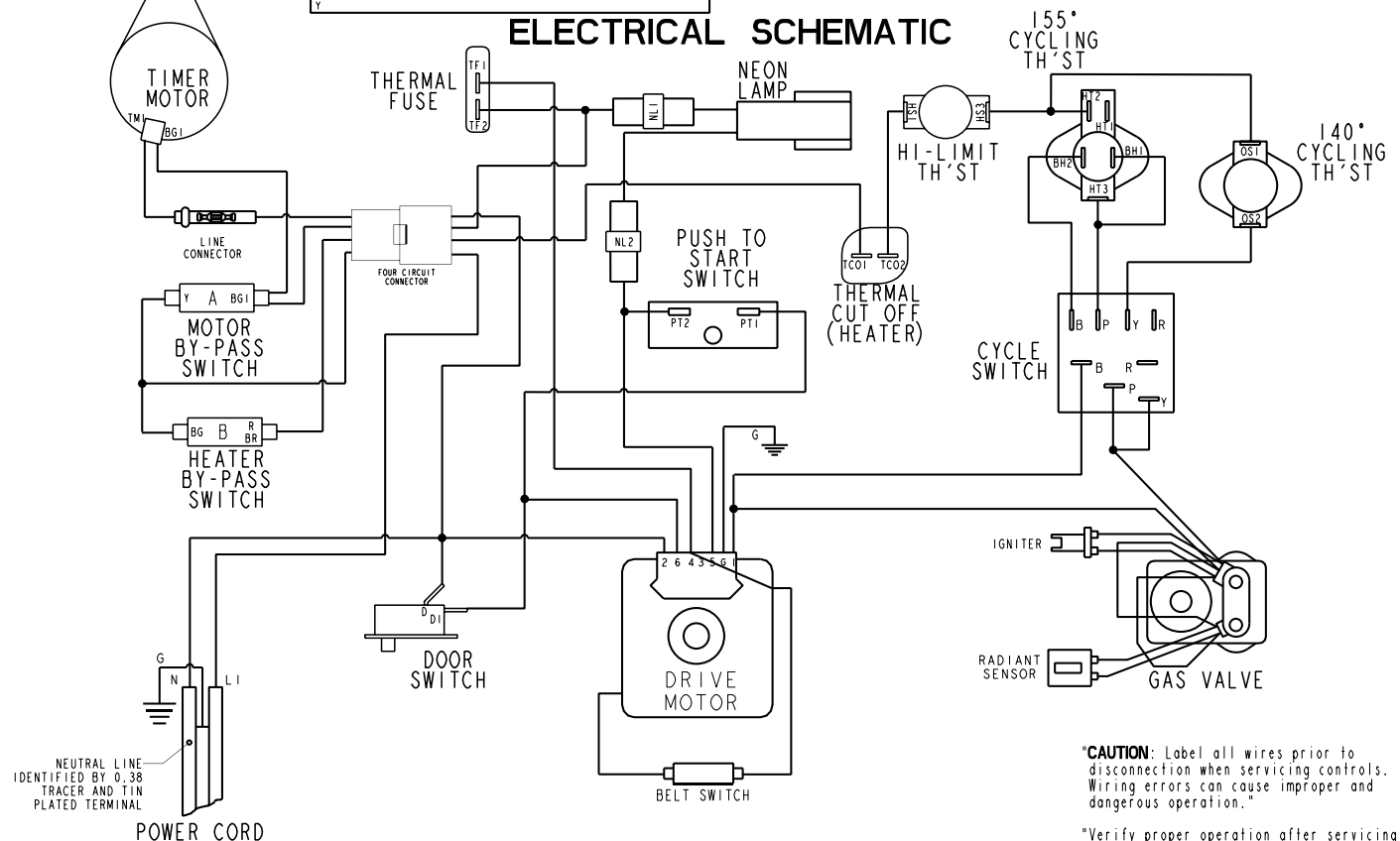
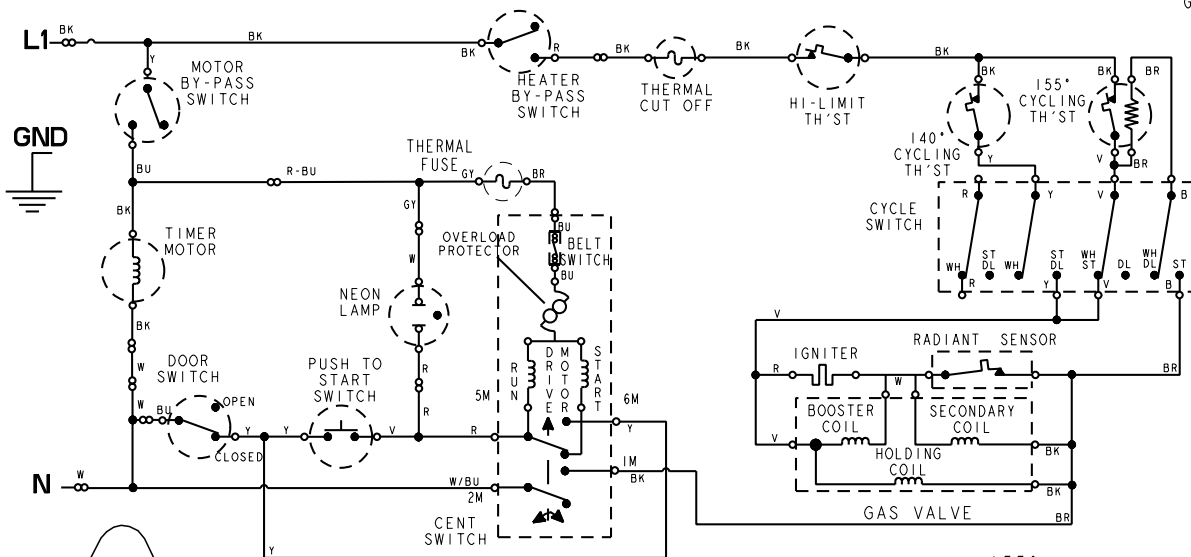
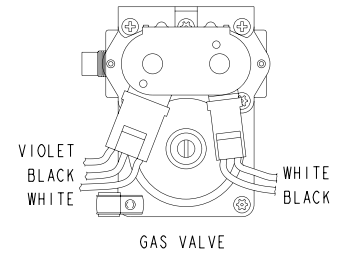
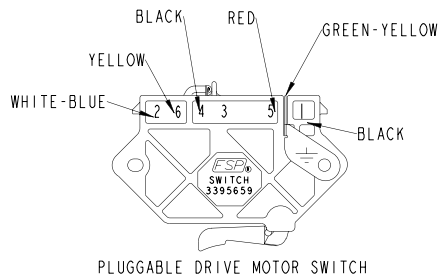
189136



| PART NO | REV | MODEL |
|-----------|-----|------------|
| WI0167622 | D | MDG17CSAWW |

- = HARNESS CONNECTION
- = TERMINAL CONNECTION
- ∞ = INLINE CONNECTOR

| CYCLE SWITCH CODE | |
|-------------------|---------------------|
| WH | - WHITE AND COLORS |
| ST | - STURDY PERM PRESS |
| DL | - DEL PERM PRESS |



CAUTION: Label all wires prior to disconnection when servicing controls. Wiring errors can cause improper and dangerous operation.

"Verify proper operation after servicing."

ELECTRICAL WIRING DIAGRAM