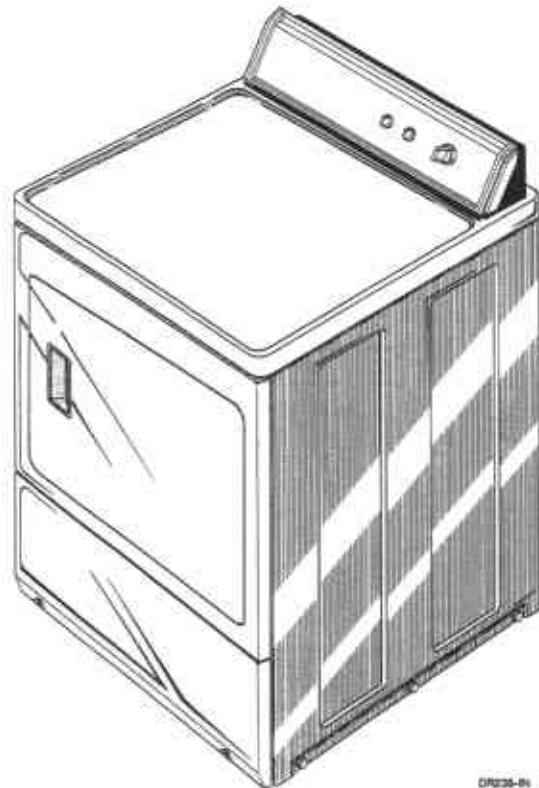


Speed Queen

Service Manual for Automatic Dryers

(Model Numbers are listed
on Page 3)



DR22-01

June 1994

Amana
A Raytheon Company

Part No. RU320002
(502377)



▲ WARNING

Failure to install, maintain, and/or operate this product according to the manufacturer's instructions may result in conditions which can produce serious injury, death and/or property damage.

Do not repair or replace any part of the product or attempt any servicing unless specifically recommended or published in this Service Manual and that you understand and have the skills to carry out.

Whenever ground wires are removed during servicing, these ground wires must be reconnected to ensure that the product is properly grounded and to reduce the risk of fire, electric shock, serious injury, or death.

W006R1

▲ WARNING

Repairs that are made to your products by unqualified persons can result in hazards due to improper assembly or adjustments subjecting you, or the inexperienced person making such repairs, to the risk of serious injury, electrical shock, or death.

W007

IMPORTANT

If you or an unqualified person perform service on your product, you must assume the responsibility for any personal injury or property damage which may result. The manufacturer will not be responsible for any injury or property damage arising from improper service and/or service procedures.

W008

NOTE: The WARNINGS and IMPORTANT INSTRUCTIONS appearing in this manual are not meant to cover all possible conditions and situations that may occur. It must be understood that common sense, caution and carefulness are factors which CANNOT be built into these products. These factors MUST BE supplied by the person(s) installing, maintaining or operating the product.

Always contact your dealer, distributor, service agent or the manufacturer about any problems or conditions you do not understand.

In order to locate an authorized service agency, consult your telephone book or the dealer from whom you purchased this product. If you require further assistance, please contact:

**Consumer Affairs Dept.
Amana, Iowa 52204**

or

**1-800-843-0304
CALL and ask for the
Consumer Affairs Department**

Recognize Safety Symbols, Words and Labels

▲ DANGER — Immediate hazards which WILL result in serious injury or death.

▲ WARNING — Hazards or unsafe practices which COULD result in serious injury or death.

▲ CAUTION — Hazards or unsafe practices which COULD result in minor or moderate injury or product or property damage.

W009

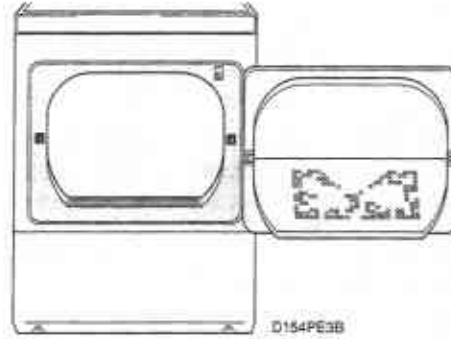
Table of Contents

Nameplate Location	3	38. Terminal Block Terminals	37
Model Identification	3	39. Cabinet	37
SECTION I — Grounding		40. Base	39
1. Motor Mounting Bracket to Motor	4	SECTION III — Adjustments	
2. Neutral at Terminal Block to Rear Bulkhead and from Rear Bulkhead to Control housing	5	41. Leveling Legs	40
3. Power Cord to Rear Bulkhead and from Rear Bulkhead to Control Housing. Wall Receptacle Polarity Check.....	5	42. Burner Flame	41
4. From Rear Bulkhead to Timer Mounting Bracket to Dryer Cabinet Top. Timer Mounting Bracket to Graphic Panel.....	6	SECTION IV — Test Procedures	
SECTION II — Service Procedures		43. Drive Motor	43
5. Control Hood Assembly	7	44. Burner System Operation	46
6. Control Hood End Caps	7	45. Electrical Circuit to Ignition System	47
7. Timer	7	46. Gas Valve Coils	48
8. Temperature Switch.....	9	47. Sensor	49
9. Signal Control	9	48. Igniter.....	49
10. Lint Filter	10	49. Temperature Switch.....	49
11. Inner and Outer Door Panels and Door Pull ...	11	50. Door Switch	50
12. Loading Door	11	51. Signal Control	50
13. Door Strike.....	14	52. Timer Contact Points	50
14. Door Seal	14	53. Cycling or Limit Thermostat	52
15. Front Panel and Panel Seal	15	54. Thermostat Heater.....	52
16. Door Switch	15	55. Thermal Fuse	53
17. Strike Catch	15	56. Heater Assembly	53
18. Door Hinge	17	SECTION V — Service Helps	
19. Hold-Down Clips and Guide Lugs	17	57. Motor Does Not Run.....	54
20. Burner System Components.....	18	58. Unit Stops in Cycle; Quits after a Couple Loads; Has a Burning Smell; Cycles on Motor Thermal Protector	55
21. Burner Housing and Heat Shroud	20	59. Motor Runs But Cylinder Does Not Turn	55
22. Limit Thermostat	20	60. Motor Does Not Stop.....	55
23. Heating Element	20	61. Heating Assembly Does Not Heat or Burner Does Not Ignite	56
24. Thermistor or Thermostat and Heater	21	62. Igniter Does Not Glow	57
25. Front Air Duct	21	63. Burner Ignites and Goes Out Repeatedly.....	57
26. Motor and Exhaust Assembly	22	64. Igniter Glows But Burner Does Not Ignite	57
27. Cabinet Top	25	65. Heater Assembly or Burner Shuts Off Prematurely	58
28. Cylinder Light.....	26	66. Heater Assembly or Burner Repeatedly Cycles Off On Limit Thermostat	58
29. Cylinder Light Receptacle	26	67. Heater Assembly or Burner Does Not Shut Off	59
30. Front Bulkhead Assembly.....	27	68. Clothes Do Not Dry	59
31. Cylinder Belt	29	69. Timer Does Not Advance in Automatic Cycle.....	60
32. Cylinder Assembly	28	70. Clothes Are Too Hot When Removed From Dryer	60
33. Rear Seal	30	SECTION VI —	
34. Cylinder Rollers	32	Internal Wiring of Dryer Motor Switch	
35. Outlet Cover	32	61	
36. Rear Bulkhead and Heater Box.....	33	SECTION VII — Wiring Diagrams	
37. Terminal Block or Power Cord	35	62	

Nameplate Location

IMPORTANT

When writing for information on any dryer, be sure to mention model and serial numbers. The model and serial numbers will be found on the nameplate in one of the four corners of the door well. The door well is the shaded area shown.



Model Identification

Information in this manual is applicable to these dryer models:

Speed Queen Dryer Models	Timer Models	Electronic Models	Cylinder	Electric Heat	Gas Heat
AEM197	X		U.P.	X	
AGM199	X		U.P.		X
AEM377	X		P.	X	
AGM379	X		P.		X
AEM397	X		P.	X	
AGM399	X		P.		X
AEM477	X		P.	X	
AGM479	X		P.		X
AEM497	X		P.	X	
AGM499	X		P.		X
AEM697	X		P.	X	
AGM699	X		P.		X
AEM427	X		P.	X	
AGM429	X		P.		X
AEM407	X		P.	X	
AGM409	X		P.		X

Suffix "L" indicates ALMOND color and suffix "W" indicates WHITE color.

U.P. Unpainted

P. Painted

S.S. Stainless Steel

SECTION I

Grounding

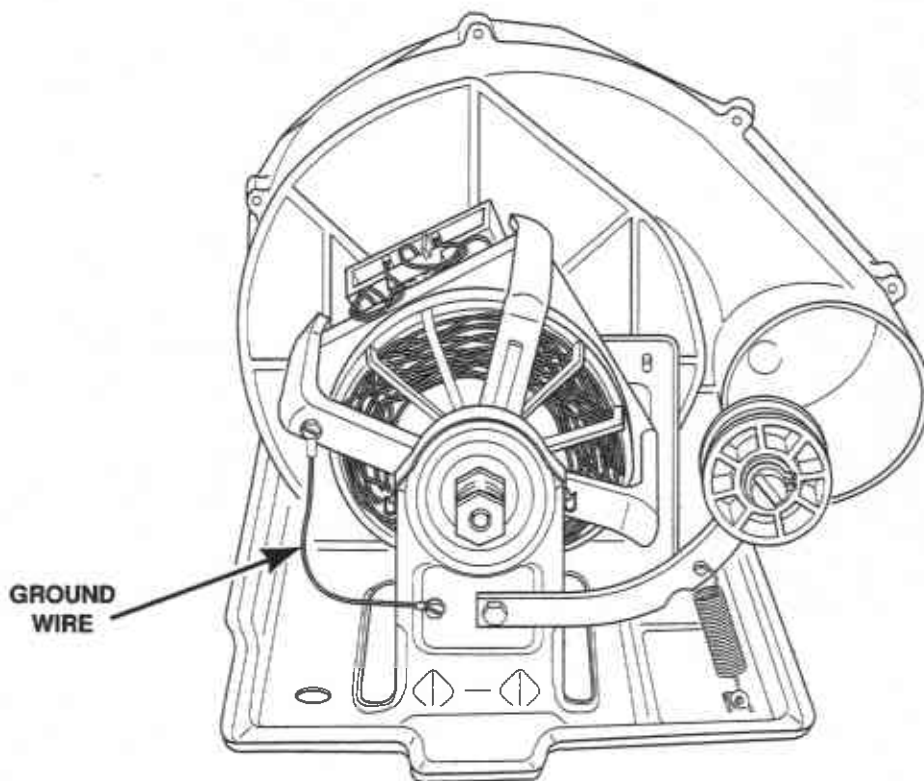
⚠WARNING

To reduce the risk of electric shock, fire, explosion, serious injury or death:

- Disconnect electric power to the dryer before servicing.
- Close gas shut-off valve to gas dryer before servicing.
- Never start the dryer with any guards/panels removed.
- Whenever ground wires are removed during servicing, these ground wires must be reconnected to ensure that the dryer is properly grounded.

W001

1. MOTOR MOUNTING BRACKET TO MOTOR (Gas and Electric Models — *Figure 1*).



D065GE3D

Figure 1

▲WARNING

To reduce the risk of electric shock, fire, explosion, serious injury or death:

- Disconnect electric power to the dryer before servicing.
- Close gas shut-off valve to gas dryer before servicing.
- Never start the dryer with any guards/panels removed.
- Whenever ground wires are removed during servicing, these ground wires must be reconnected to ensure that the dryer is properly grounded.

W001

2. NEUTRAL AT TERMINAL BLOCK TO REAR BULKHEAD AND FROM REAR BULKHEAD TO CONTROL HOUSING (Electric Models Only — Figure 2).

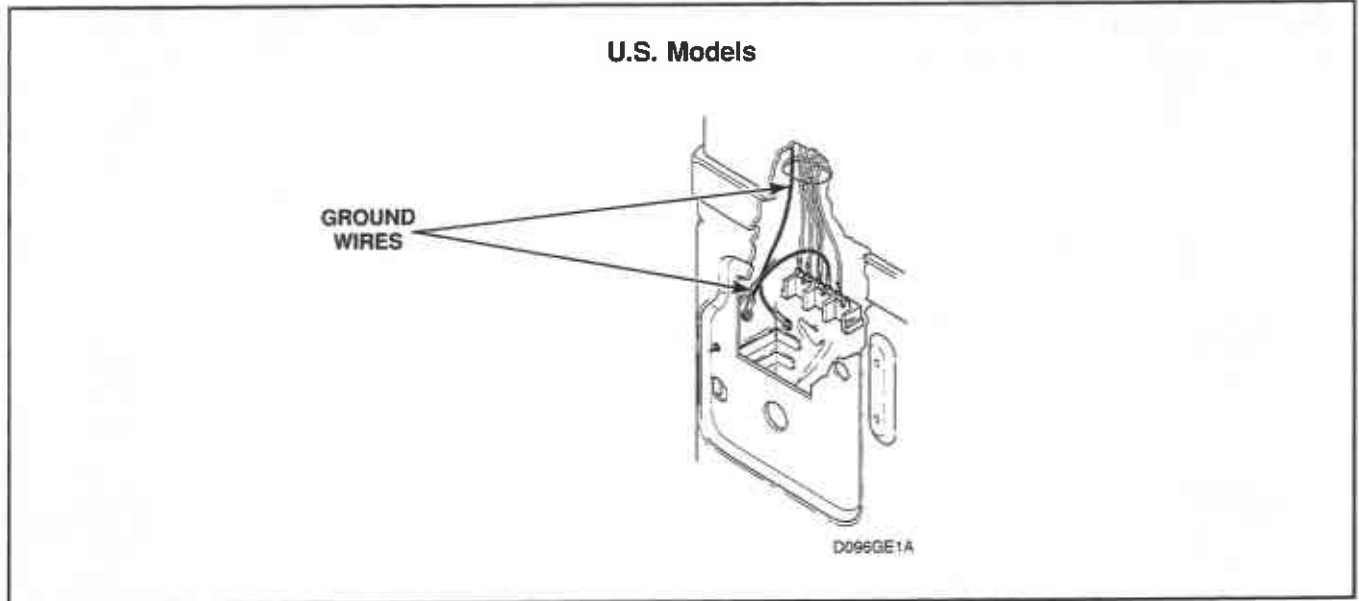


Figure 2

3. POWER CORD TO REAR BULKHEAD AND FROM REAR BULKHEAD TO CONTROL HOUSING. WALL RECEPTACLE POLARITY CHECK (Gas Models Only — Figure 3).

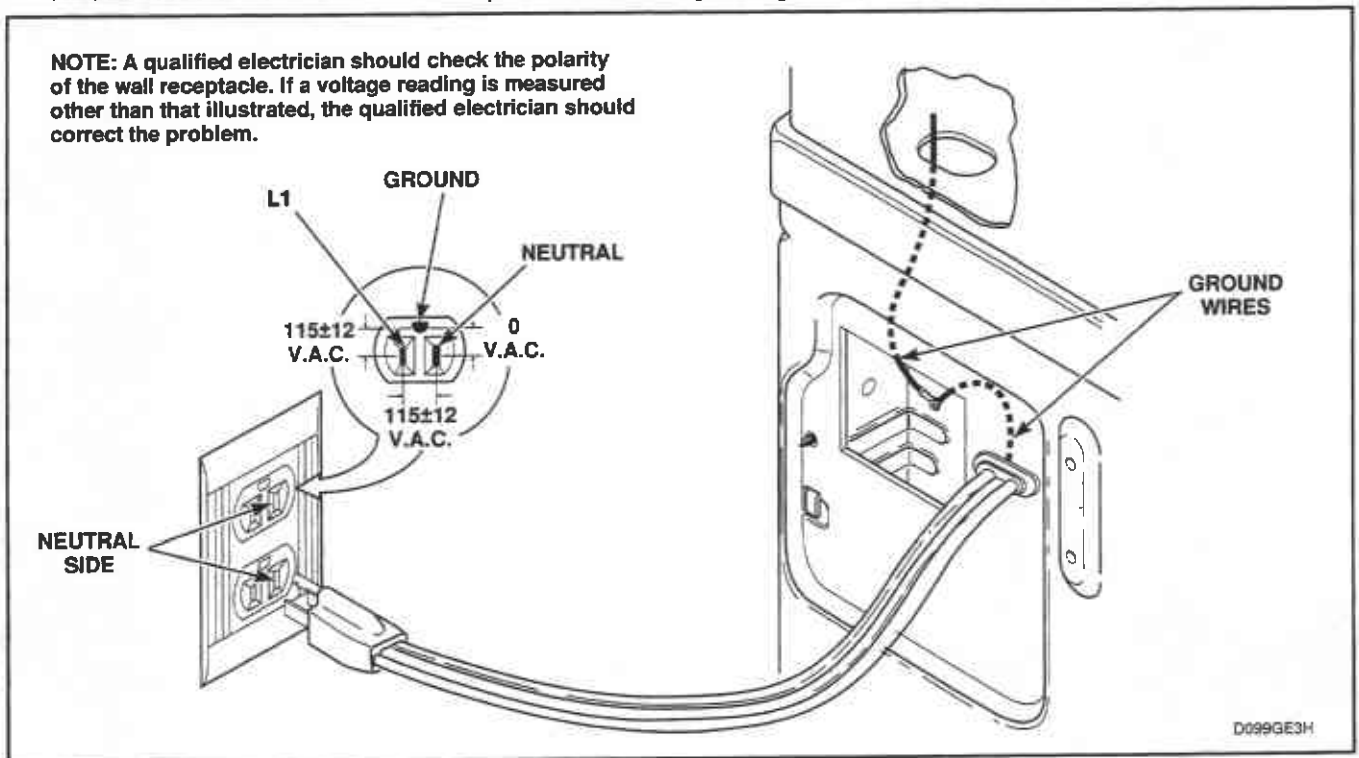


Figure 3

▲WARNING

To reduce the risk of electric shock, fire, explosion, serious injury or death:

- **Disconnect electric power to the dryer before servicing.**
- **Close gas shut-off valve to gas dryer before servicing.**
- **Never start the dryer with any guards/panels removed.**
- **Whenever ground wires are removed during servicing, these ground wires must be reconnected to ensure that the dryer is properly grounded.**

W001

4. FROM REAR BULKHEAD TO TIMER MOUNTING BRACKET TO DRYER CABINET TOP. TIMER MOUNTING BRACKET TO GRAPHIC PANEL (Mechanical Timer Model Dryers — *Figure 4*).

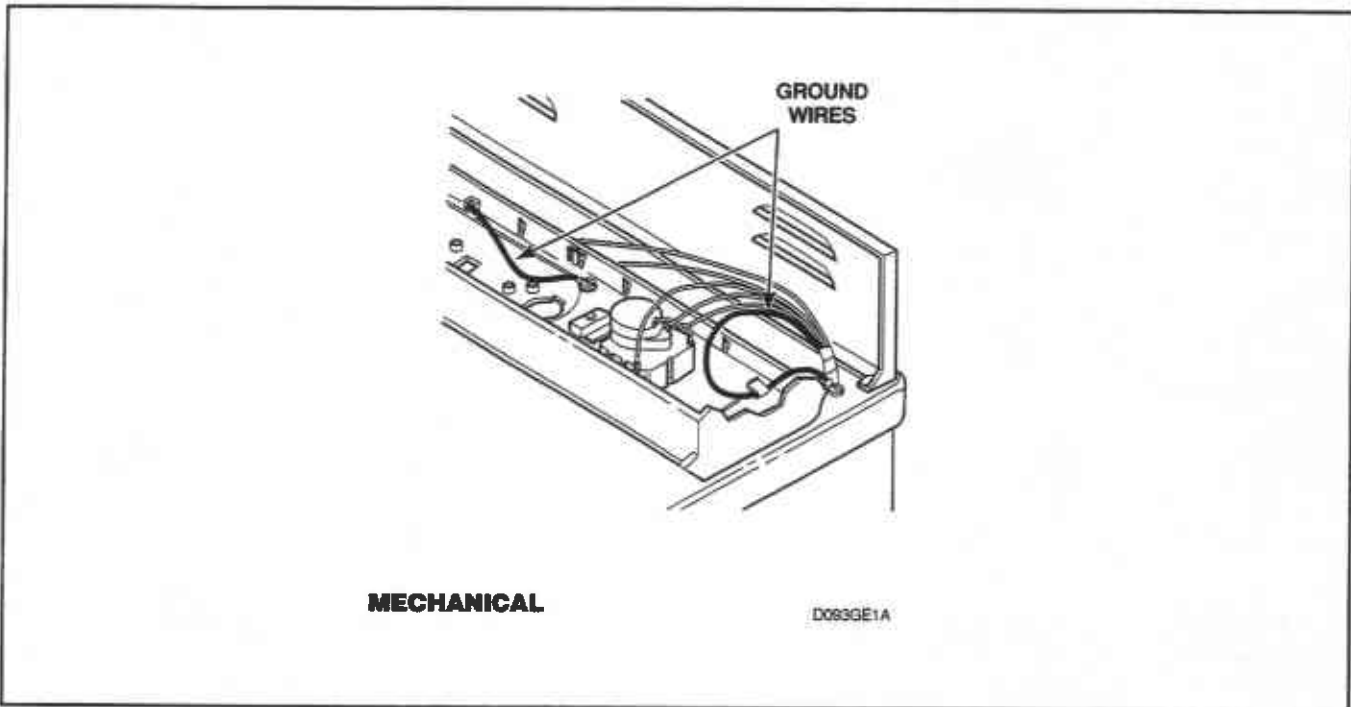


Figure 4

SECTION II

Service Procedures

⚠WARNING

To reduce the risk of electric shock, fire, explosion, serious injury or death:

- **Disconnect electric power to the dryer before servicing.**
- **Close gas shut-off valve to gas dryer before servicing.**
- **Never start the dryer with any guards/panels removed.**
- **Whenever ground wires are removed during servicing, these ground wires must be reconnected to ensure that the dryer is properly grounded.**

W001

IMPORTANT: When reference to direction (right or left) is made in this manual, it is from the operator's position facing the front of the dryer.

5. CONTROL HOOD ASSEMBLY

(Figure 5, 6, 7)

- a. Remove six screws (3 top and 3 bottom) holding the hood assembly to the control hood rear panel and cabinet top.
- b. Disconnect the wires from the component parts and carefully remove the components from the control hood assembly.

NOTE: Refer to appropriate wiring diagram when rewiring component parts.

6. CONTROL HOOD END CAPS

Remove end caps by carefully prying caps out of slots in ends of hood, *Figure 5, 6, 7.*

7. TIMER (Refer to *Figure 5, 6, 7* for timer removal)

NOTE: Refer to appropriate wiring diagram when rewiring timer.

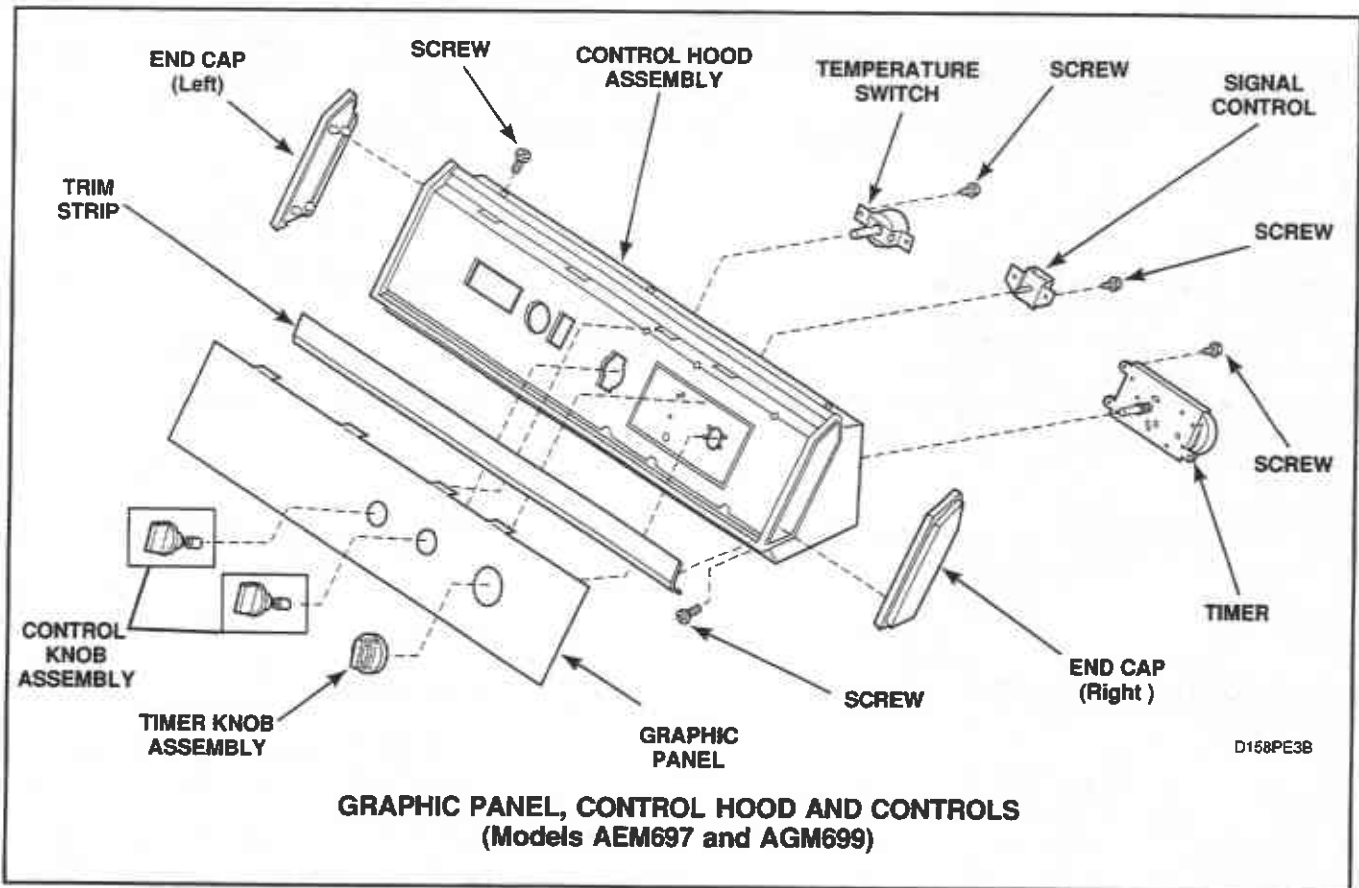


Figure 5

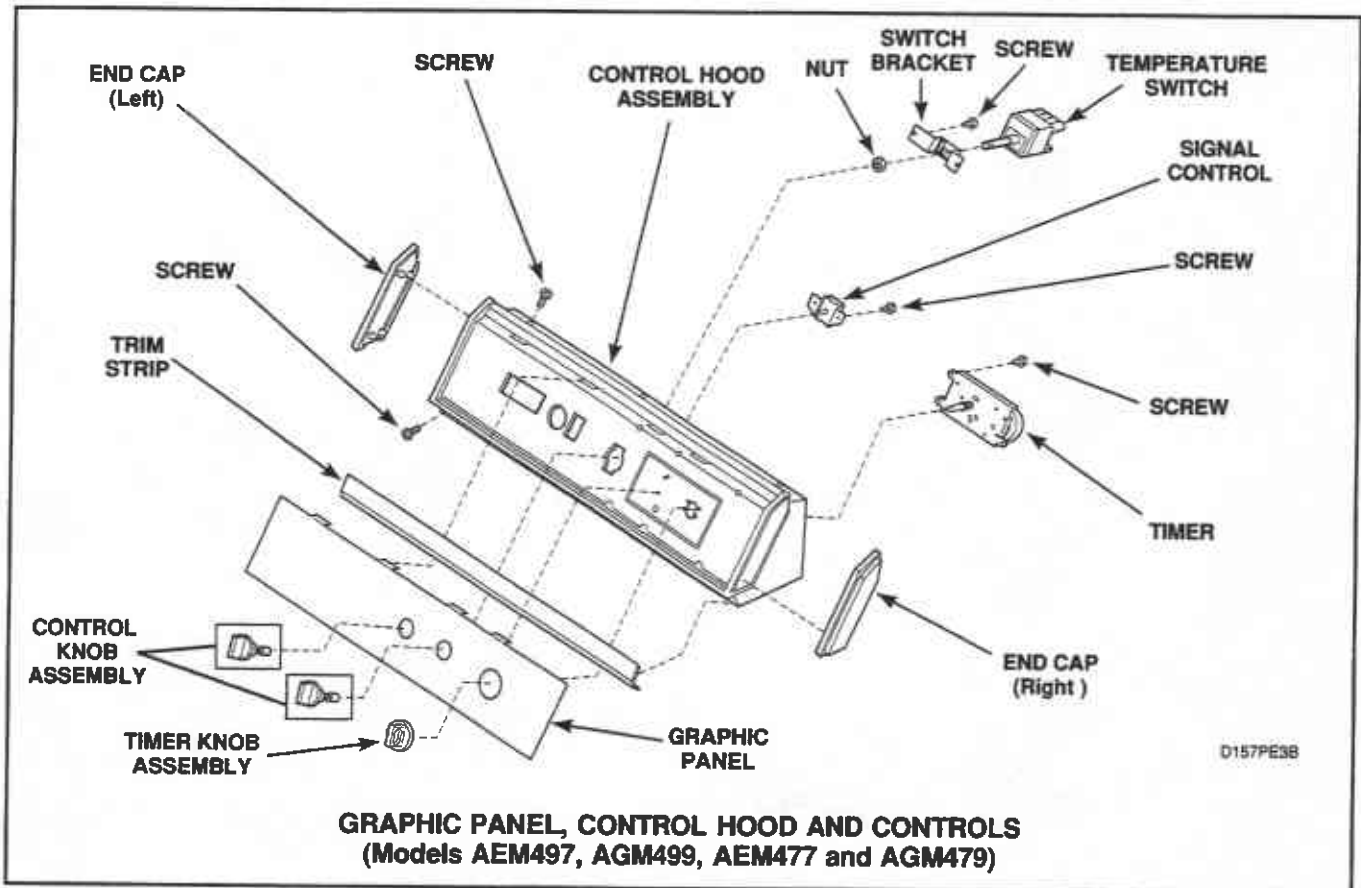


Figure 6

⚠ WARNING

To reduce the risk of electric shock, fire, explosion, serious injury or death:

- Disconnect electric power to the dryer before servicing.
- Close gas shut-off valve to gas dryer before servicing.
- Never start the dryer with any guards/panels removed.
- Whenever ground wires are removed during servicing, these ground wires must be reconnected to ensure that the dryer is properly grounded.

W001

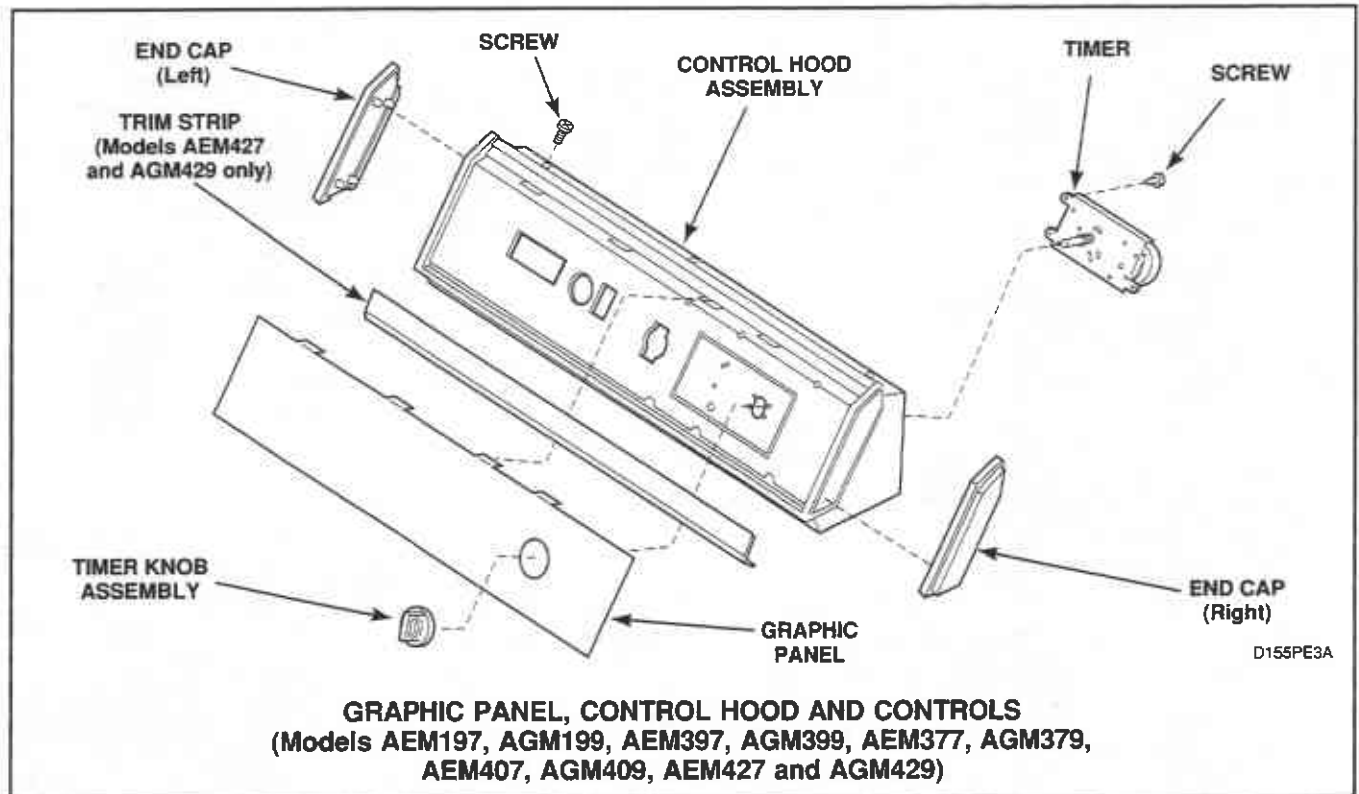


Figure 7

8. **TEMPERATURE SWITCH** (Refer to *Figure 5 or 6* for switch removal)

NOTE: Refer to appropriate wiring diagram when rewiring switch.

9. **SIGNAL CONTROL** (Refer to *Figure 5 or 6* for signal control removal)

NOTE: Refer to appropriate wiring diagram when rewiring signal control.

▲WARNING

To reduce the risk of electric shock, fire, explosion, serious injury or death:

- Disconnect electric power to the dryer before servicing.
- Close gas shut-off valve to gas dryer before servicing.
- Never start the dryer with any guards/panels removed.
- Whenever ground wires are removed during servicing, these ground wires must be reconnected to ensure that the dryer is properly grounded.

W001

10. LINT FILTER (Figure 8)

- Open loading door.
- Remove lint filter screws.
- Lift lint filter cover out of lint filter.
- Lift lint filter out of air duct.

▲WARNING

When installing lint filter, be sure to install the filter with the word "FRONT" facing the front of the dryer. If filter is installed backwards, lint will accumulate in exhaust system, causing fire and machine malfunction.

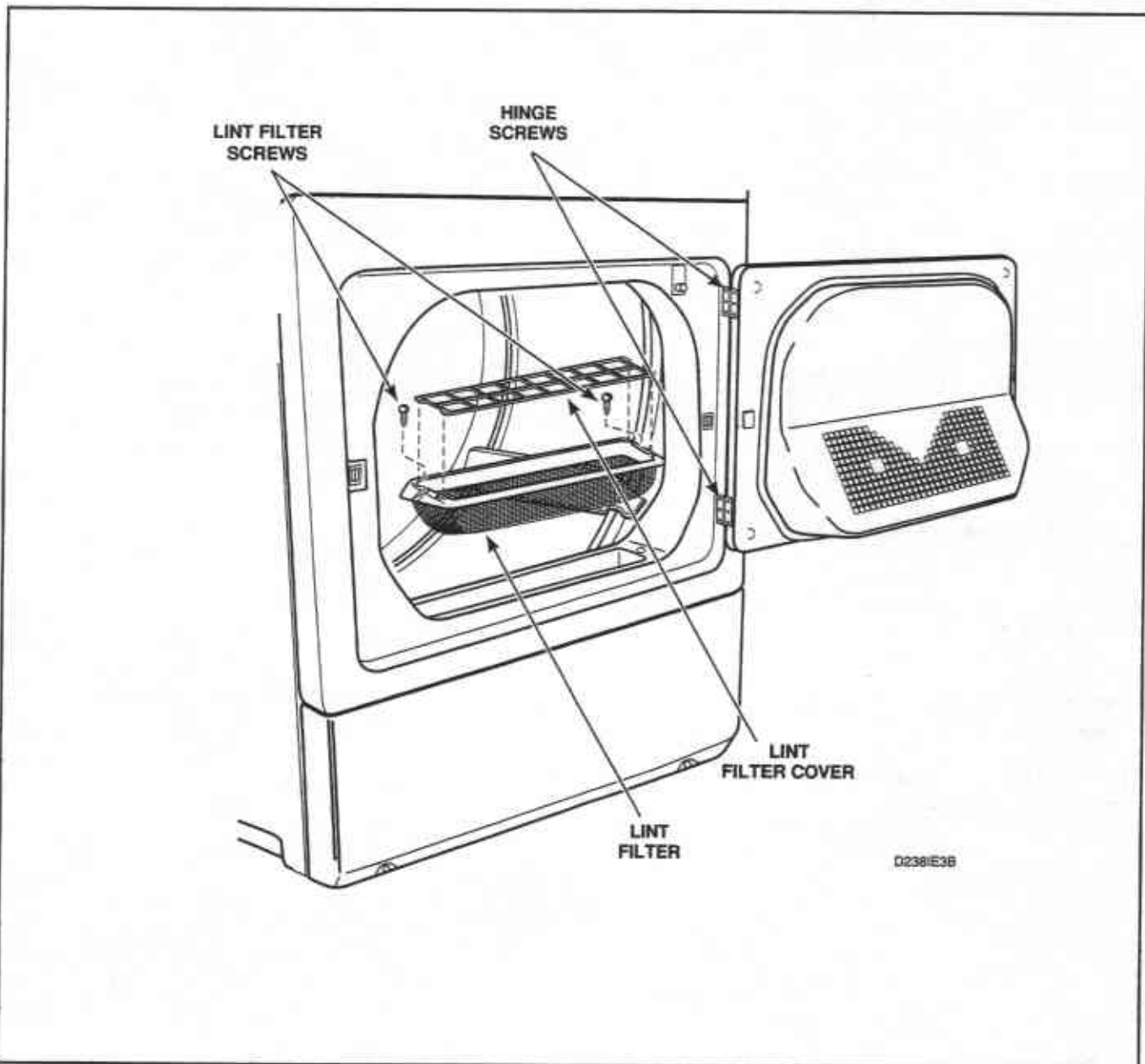


Figure 8

WARNING

To reduce the risk of electric shock, fire, explosion, serious injury or death:

- Disconnect electric power to the dryer before servicing.
- Close gas shut-off valve to gas dryer before servicing.
- Never start the dryer with any guards/panels removed.
- Whenever ground wires are removed during servicing, these ground wires must be reconnected to ensure that the dryer is properly grounded.

W601

11. INNER AND OUTER DOOR PANELS AND DOOR PULL

- Remove four screws holding door assembly to hinges, *Figure 8*.
- Remove screw from door pull, *Figure 10*, and the remaining screws around the door perimeter and separate panels, *Figure 10*.

NOTE: All screws are interchangeable except for the screw in the recessed door pull.

IMPORTANT: Do not over-tighten screws when reinstalling door pull.

12. LOADING DOOR

- Open loading door.
- Remove screws holding loading door to hinges, *Figure 8*.

Reversing Door Procedure (Optional)

The door on your dryer is completely reversible. It can be hinged on either side for your convenience. The door consists of 16 screws; 11 around the door perimeter, four on the front panel and one in the recessed door pull. All screws are interchangeable except for the one in the recessed door pull.

The dryer is shipped from the factory with the door hinged on the right side. To hinge the door on the left side, proceed as follows:

- Support door and remove four screws holding hinges to front panel, *Figure 9*. Remove complete door assembly.

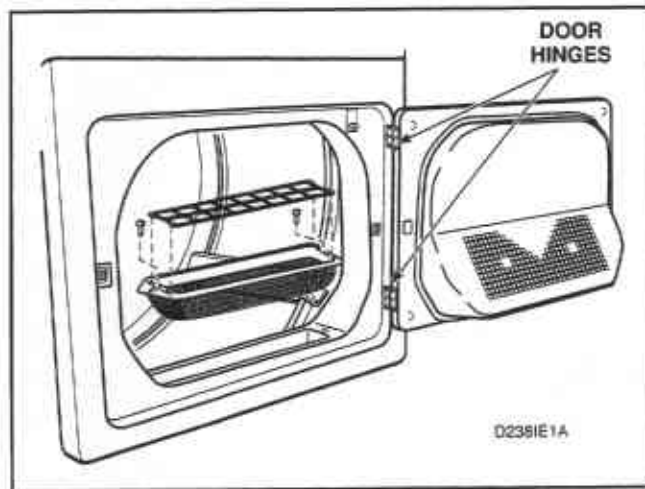


Figure 9

- Remove screw from door pull, *Figure 10*, and the remaining screws around the door perimeter. Set hinges aside at this time.

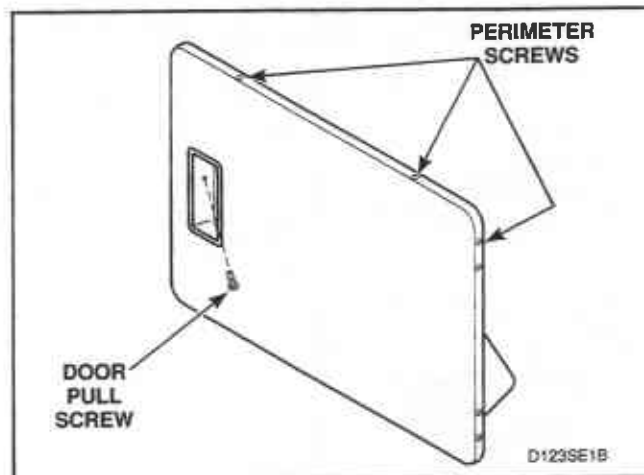


Figure 10

- Remove plastic inner door liner (with the door strike attached) from the metal door panel.
- Rotate the metal outer door panel 180 degrees.
- Remove door strike from door liner, *Figure 11*, and reinstall it on opposite side.

NOTE: Door strike must be located on the same side of door as the door pull. Once the door strike is in place, position the inner door liner into the outer door panel.

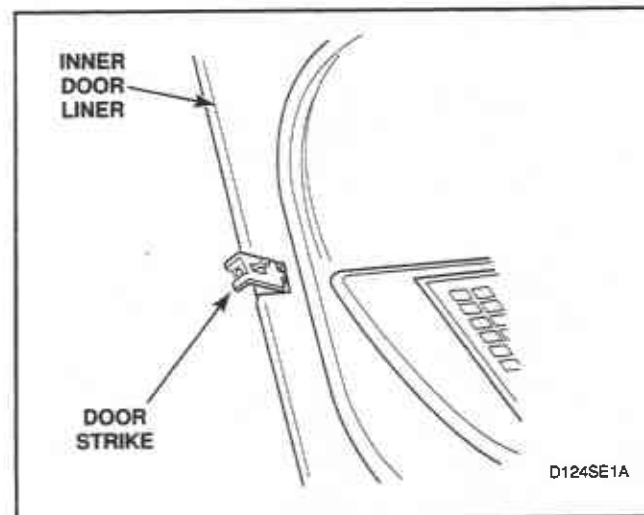


Figure 11

▲WARNING

To reduce the risk of electric shock, fire, explosion, serious injury or death:

- Disconnect electric power to the dryer before servicing.
- Close gas shut-off valve to gas dryer before servicing.
- Never start the dryer with any guards/panels removed.
- Whenever ground wires are removed during servicing, these ground wires must be reconnected to ensure that the dryer is properly grounded.

W001

- f. Reinstall the two hinges on the side of door opposite of door pull and door strike.

NOTE: Screw the hinges onto door with the hinge pin facing the front of the door, *Figure 12*.

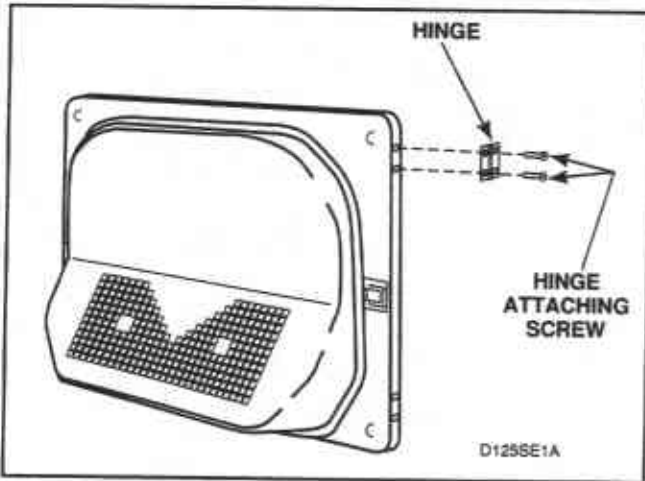


Figure 12

- i. While supporting door assembly, secure hinges to front panel using the four remaining screws, *Figure 14*. Tighten all screws firmly.

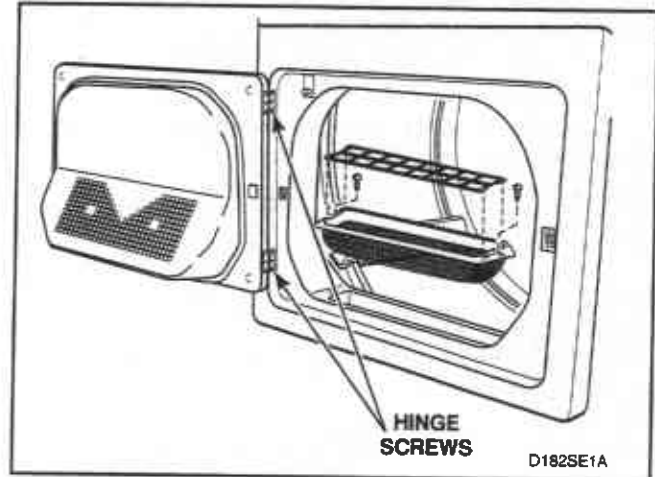


Figure 14

- g. Reinstall door pull screw and the remaining screws around the door perimeter.
- h. Remove four screws from left side of the door opening of the dryer front panel and place them into holes on right side, *Figure 13*.

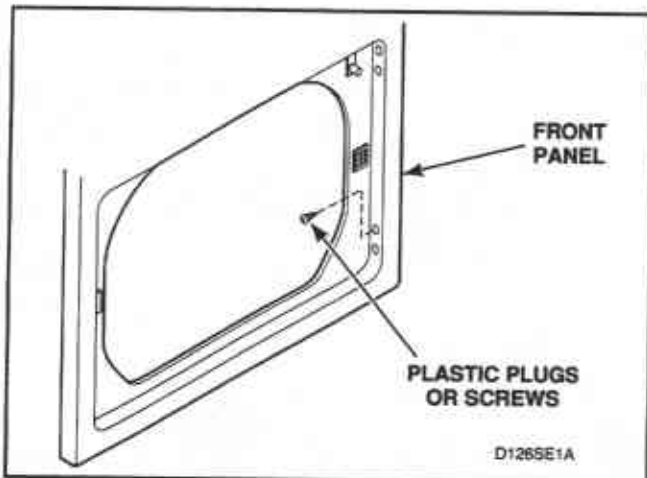
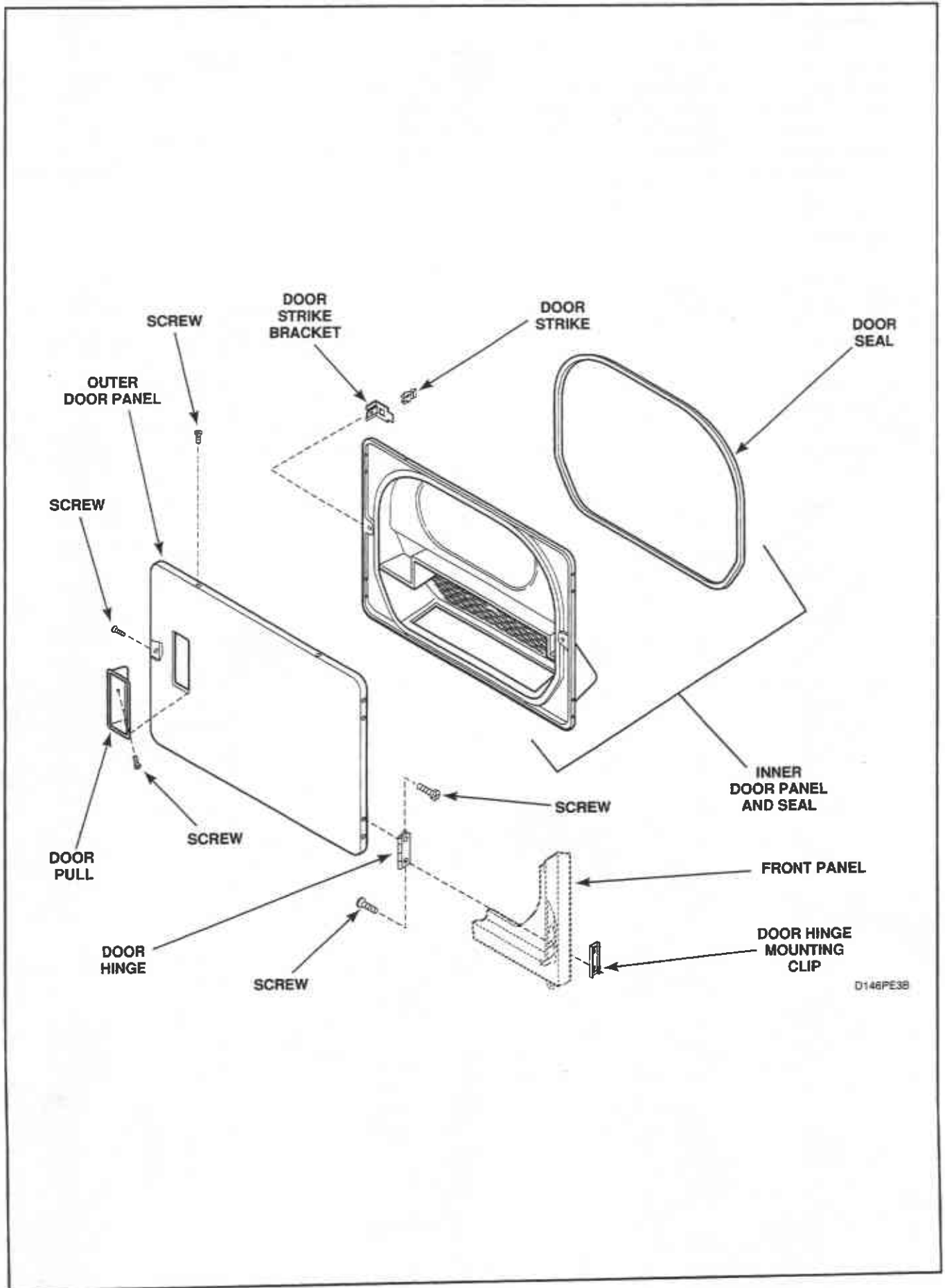


Figure 13



D148PE3B

Figure 15

▲WARNING

To reduce the risk of electric shock, fire, explosion, serious injury or death:

- Disconnect electric power to the dryer before servicing.
- Close gas shut-off valve to gas dryer before servicing.
- Never start the dryer with any guards/panels removed.
- Whenever ground wires are removed during servicing, these ground wires must be reconnected to ensure that the dryer is properly grounded.

W001

13. DOOR STRIKE

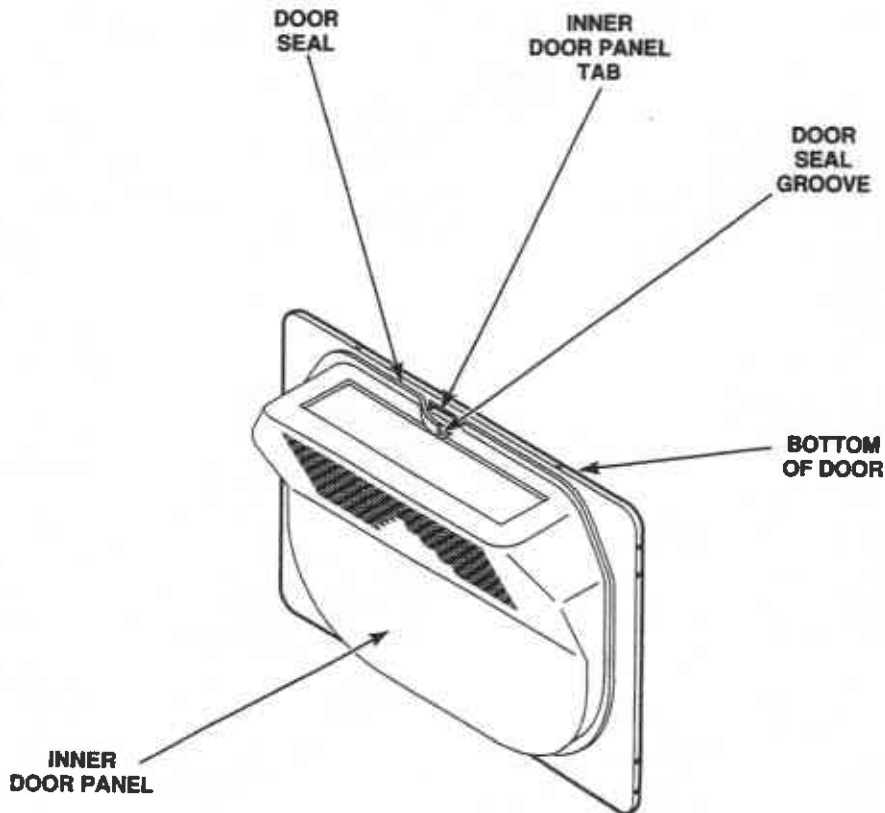
- Open loading door.
- Remove screw holding door strike and bracket to loading door, *Figure 15*, and remove strike and bracket.

NOTE: You may have to loosen the two screws on end of door to allow for striker and bracket removal.

14. DOOR SEAL

- Open loading door.
- Grasp either end of door seal at bottom of door and remove seal from tabs on inner door panel by gently pulling on the seal, *Figure 16*.

NOTE: When replacing seal, be sure seal is not stretched or distorted and the groove in the seal is installed on each tab on inner door panel, *Figure 16*, and the split in the seal is at the bottom of the door.



D128SE3A

Figure 16

⚠ WARNING

To reduce the risk of electric shock, fire, explosion, serious injury or death:

- Disconnect electric power to the dryer before servicing.
- Close gas shut-off valve to gas dryer before servicing.
- Never start the dryer with any guards/panels removed.
- Whenever ground wires are removed during servicing, these ground wires must be reconnected to ensure that the dryer is properly grounded.

W001

15. FRONT PANEL AND PANEL SEAL

- While supporting the lower access panel, remove two screws from bottom edge of lower access panel, *Figure 18*.
- Gently lower the access panel to disengage guide lugs from bottom edge of front panel.
- Remove two screws holding bottom tabs on front panel to dryer side panels, *Figure 18*. Swing bottom of front panel away from dryer far enough to disengage hold-down clips and guide lugs from cabinet top.
- Disconnect wires from door switch, *Figure 17*.

NOTE: Refer to appropriate wiring diagram when rewiring switch.

- Remove front panel seal from flange around inside of door opening, *Figure 18*.

NOTE: Be sure seal is properly positioned when installing on front panel.

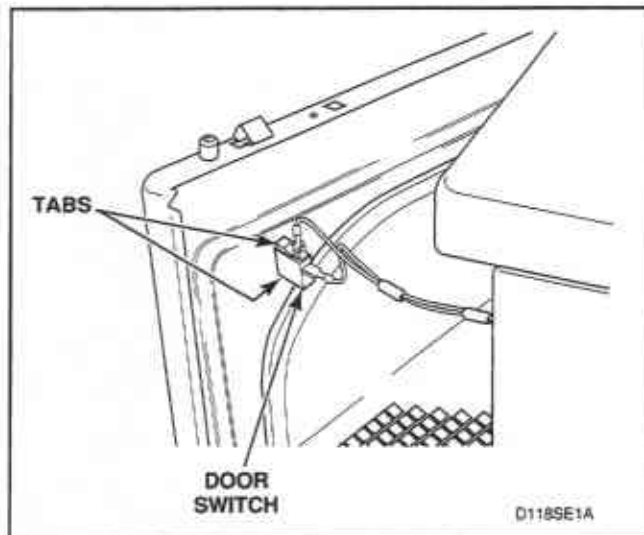


Figure 17

16. DOOR SWITCH

- While supporting the lower access panel, remove two screws from bottom edge of lower access panel, *Figure 18*.
- Gently lower the access panel to disengage guide lugs from bottom edge of front panel.
- Remove two screws holding tabs on front panel to dryer side panels, *Figure 18*. Swing bottom of front panel away from dryer far enough to disengage hold-down clips and guide lugs from cabinet top.
- Disconnect wires from door switch, *Figure 17*.

NOTE: Refer to appropriate wiring diagram when rewiring switch.

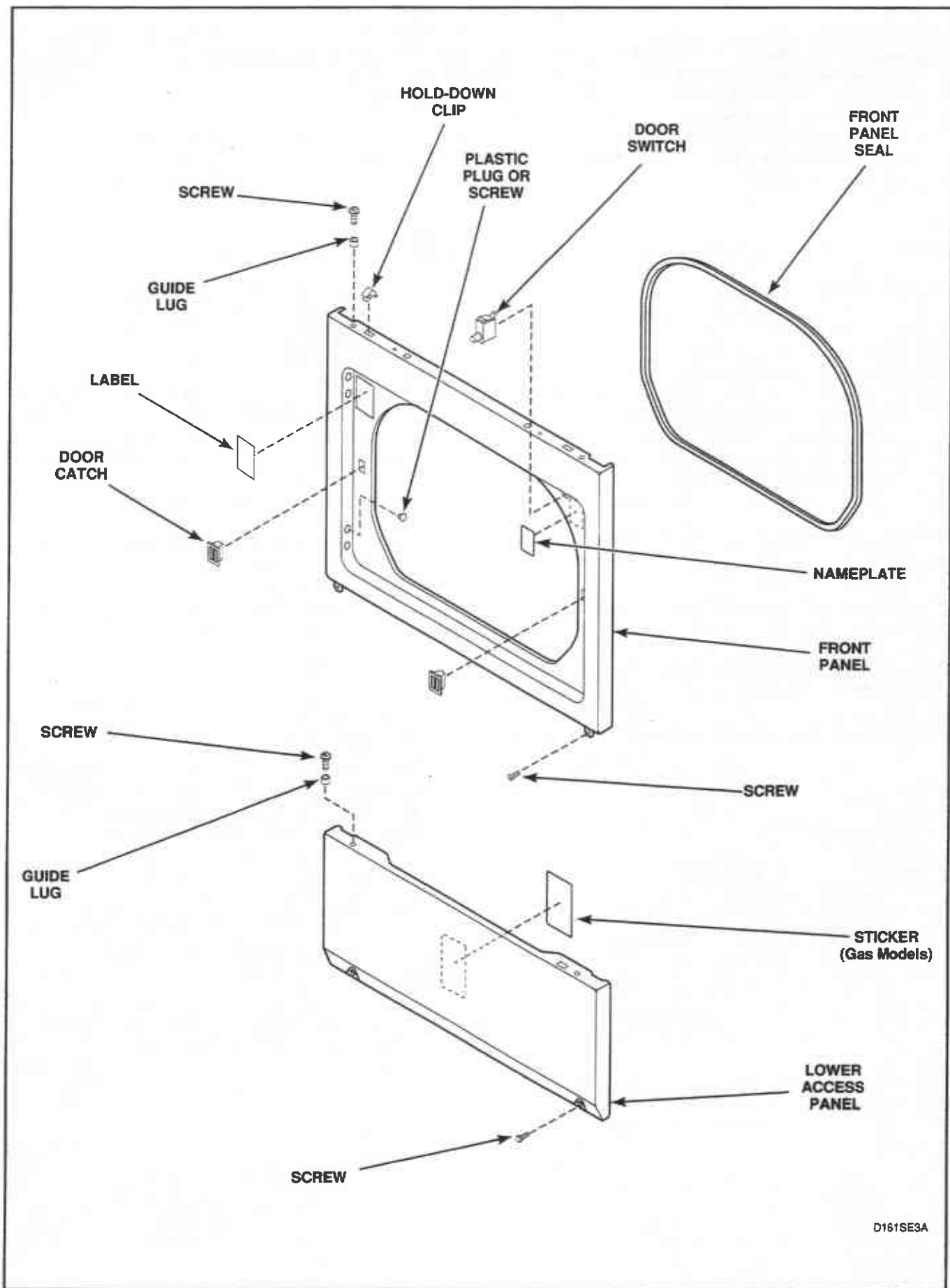
- Depress tabs on top and bottom of switch and push out of front panel, *Figure 17*.

17. STRIKE CATCH

- While supporting the lower access panel, remove two screws from bottom edge of lower access panel, *Figure 18*.
- Gently lower the access panel to disengage guide lugs from bottom edge of front panel.
- Remove two screws holding bottom tabs on front panel to dryer side panels, *Figure 18*. Swing bottom of front panel away from dryer far enough to disengage hold-down clips and guide lugs from cabinet top.
- Disconnect wires from door switch, *Figure 17*.

NOTE: Refer to appropriate wiring diagram when rewiring switch.

- Depress tabs on top and bottom of catch and push out of front panel, *Figure 17*.



D161SE3A

Figure 18

▲WARNING

To reduce the risk of electric shock, fire, explosion, serious injury or death:

- Disconnect electric power to the dryer before servicing.
- Close gas shut-off valve to gas dryer before servicing.
- Never start the dryer with any guards/panels removed.
- Whenever ground wires are removed during servicing, these ground wires must be reconnected to ensure that the dryer is properly grounded.

W001

18. DOOR HINGE

- Open loading door and, while supporting door, remove four screws holding door assembly to hinges, *Figure 19*.
- Remove four screws holding hinges to front panel, *Figure 19*.

19. HOLD-DOWN CLIPS AND GUIDE LUGS

- While supporting the lower access panel, remove two screws from bottom edge of lower access panel, *Figure 18*.
- Gently lower the access panel to disengage guide lugs from bottom edge of front panel.

- Remove two screws holding bottom tabs on front panel to dryer side panels, *Figure 18*. Swing bottom edge of front panel away from dryer far enough to disengage hold-down clips and guide lugs from cabinet top.
- Disconnect wires from door switch, *Figure 17*.

NOTE: Refer to appropriate wiring diagram when rewiring switch.

- Compress hold-down clips and remove from slot in top flange of access panel or front panel.
- Remove four screws holding four guide lugs to access panel or front panel, *Figure 18*.

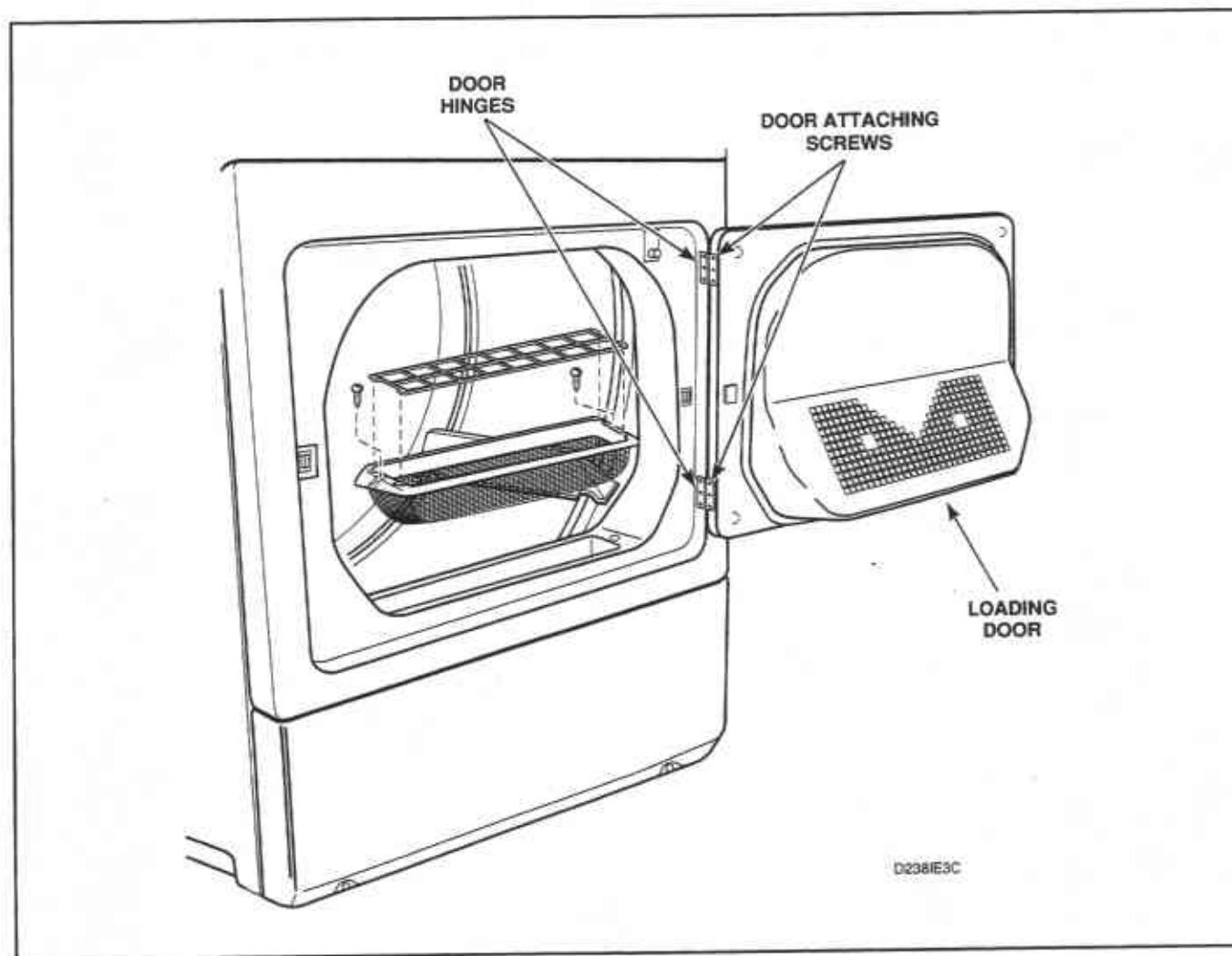


Figure 19

▲WARNING

To reduce the risk of electric shock, fire, explosion, serious injury or death:

- Disconnect electric power to the dryer before servicing.
- Close gas shut-off valve to gas dryer before servicing.
- Never start the dryer with any guards/panels removed.
- Whenever ground wires are removed during servicing, these ground wires must be reconnected to ensure that the dryer is properly grounded.

W001

20. BURNER SYSTEM COMPONENTS - Gas Models

a. Complete Gas Valve Assembly.

- (1) While supporting the lower access panel, remove two screws from bottom edge of lower access panel, *Figure 18*.
- (2) Gently lower the access panel to disengage guide lugs from bottom edge of front panel.
- (3) Close gas shut-off valve, disconnect igniter wires at disconnect blocks, sensor wires from flame sensor terminals, and wires from gas valve coils at the quick disconnect blocks, *Figure 20*.

- (4) Disconnect gas shut-off valve from gas valve at the union nut, *Figure 20*.
- (5) Remove three screws holding valve and mounting bracket to base, *Figure 20*.
- (6) Lift gas valve and mounting bracket from base, *Figure 20*.

NOTE: The holding and booster coil, and secondary coil can be replaced individually.

b. Burner Tube, Igniter and Bracket

NOTE: Burner tube and igniter can be removed without removing gas valve and bracket.

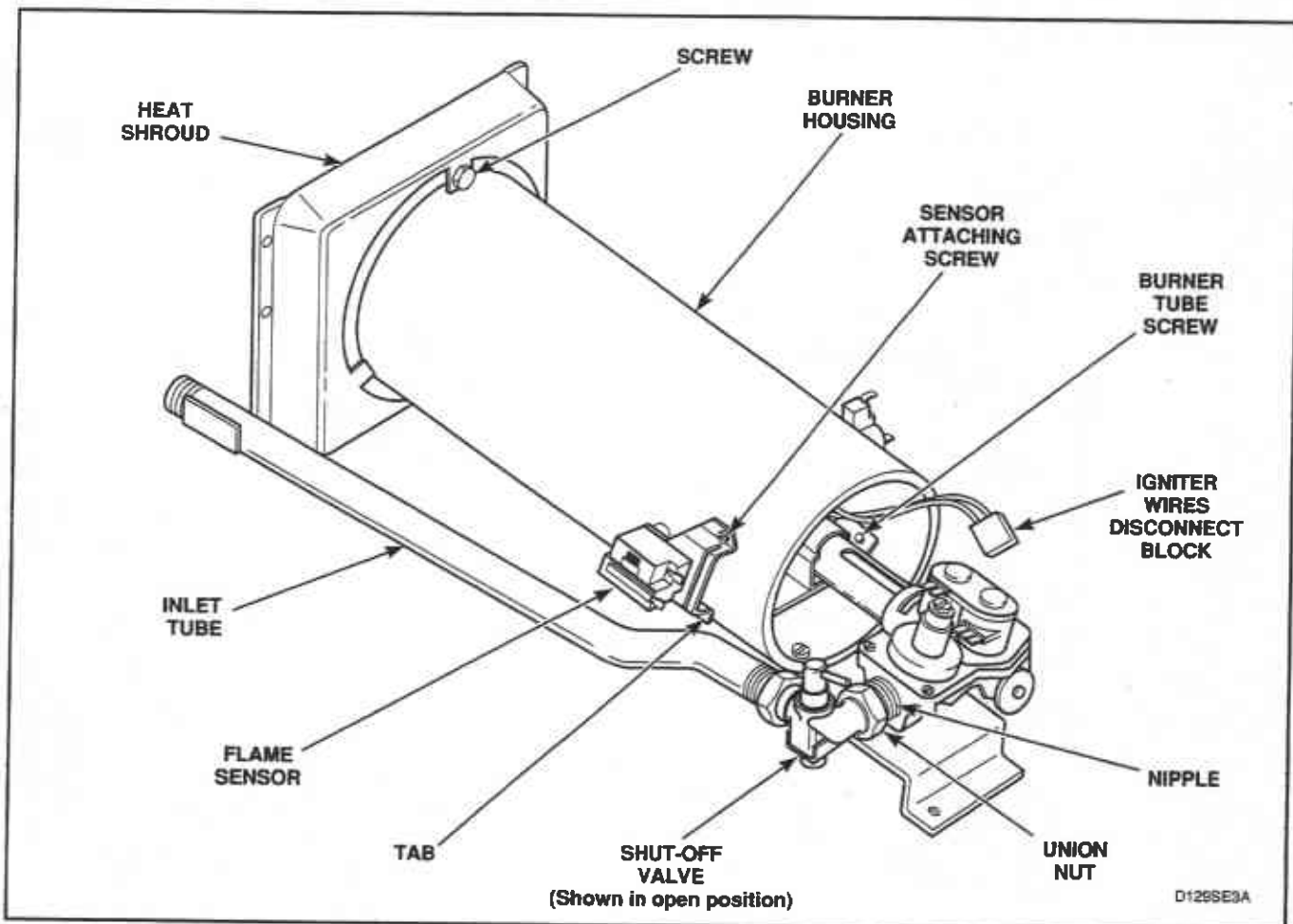


Figure 20

▲WARNING

To reduce the risk of electric shock, fire, explosion, serious injury or death:

- Disconnect electric power to the dryer before servicing.
- Close gas shut-off valve to gas dryer before servicing.
- Never start the dryer with any guards/panels removed.
- Whenever ground wires are removed during servicing, these ground wires must be reconnected to ensure that the dryer is properly grounded.

W001

- (1) Remove one screw from right side of burner housing holding burner tube in place, *Figure 22*.
- (2) Gently move burner tube toward rear of dryer to disengage tab from slot on left side of burner housing, *Figure 20*.
- (3) Carefully rotate burner tube and igniter **counterclockwise** so tab is at 8 o'clock position.
- (4) Move air shutter end of burner tube slightly to right and CAREFULLY remove burner tube and igniter assembly out through front of dryer.
- (5) Remove screw holding igniter and bracket to burner tube and remove igniter and bracket, *Figure 21*.

IMPORTANT: Use care while removing igniter to avoid damaging or breaking it. The igniter is very fragile.

IMPORTANT: Handle igniter by grasping the white ceramic portion of bracket only. DO NOT handle silicon carbide portion of igniter with hands or allow any oil, grease or other foreign material to contaminate it. Oil, grease and other impurities or hairline cracks will cause the igniter to burn out.

c. Flame Sensor, *Figure 20*.

- (1) While supporting the lower access panel, remove two screws from bottom edge of lower access panel, *Figure 18*.
- (2) Gently lower the access panel to disengage guide lugs from bottom edge of front panel.
- (3) Remove wires from sensor terminals, *Figure 20*.
- (4) Remove screw holding sensor to burner housing, *Figure 20*.

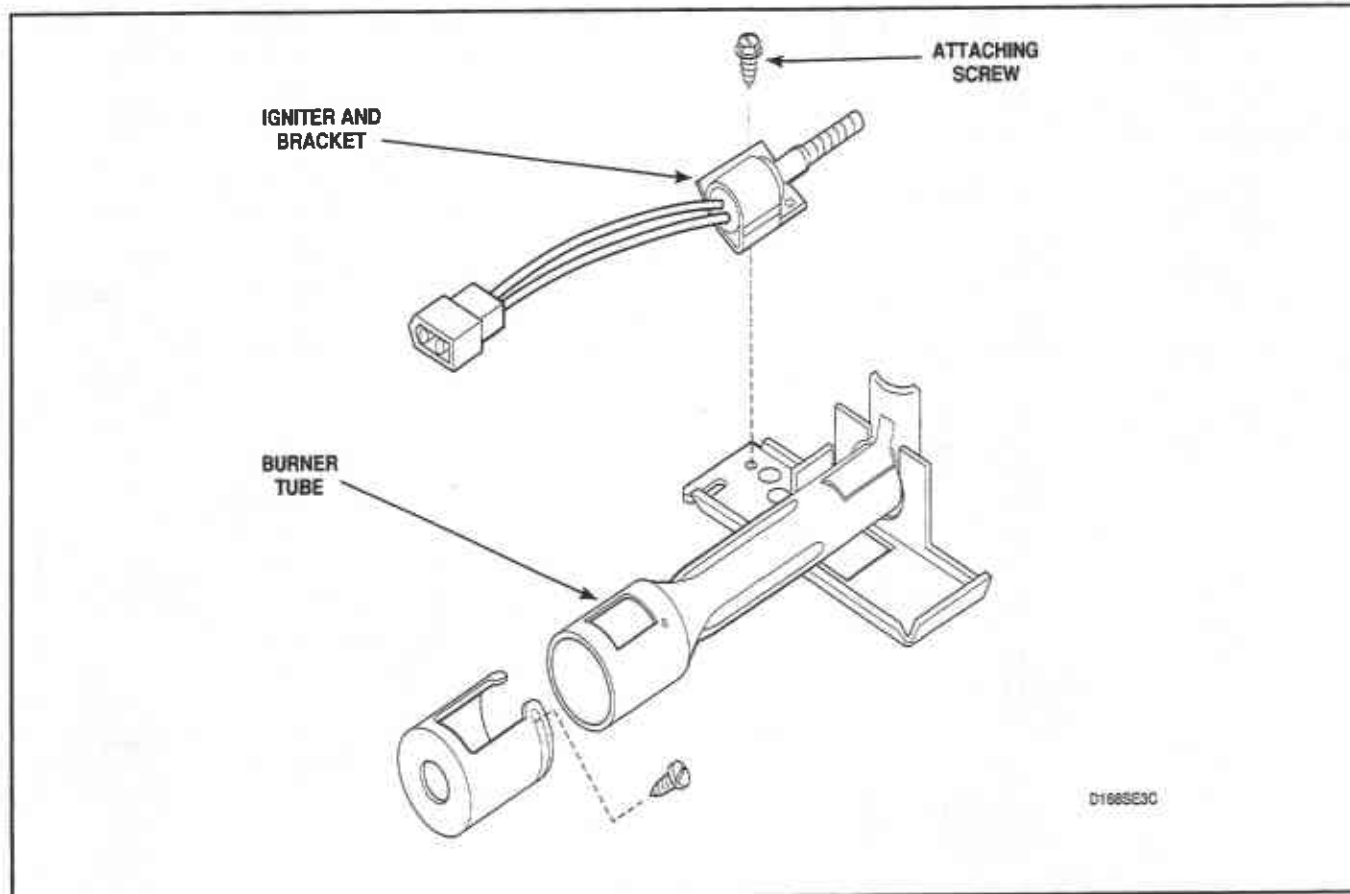


Figure 21

⚠WARNING

To reduce the risk of electric shock, fire, explosion, serious injury or death:

- Disconnect electric power to the dryer before servicing.
- Close gas shut-off valve to gas dryer before servicing.
- Never start the dryer with any guards/panels removed.
- Whenever ground wires are removed during servicing, these ground wires must be reconnected to ensure that the dryer is properly grounded.

W001

21. BURNER HOUSING AND HEAT SHROUD

- While supporting the lower access panel, remove two screws from bottom edge of lower access panel, *Figure 18*.
- Gently lower the access panel to disengage guide lugs from bottom edge of front panel.
- Disconnect igniter wires at disconnect blocks, sensor wires from flame sensor terminals, and wires from gas valve coils at the quick disconnect blocks, *Figure 20*.
- Remove screw from right side of burner housing, while holding burner tube in place, *Figure 22*.
- Gently move burner tube toward rear of dryer to disengage tab from slot on left side of burner housing, *Figure 20*.
- Carefully rotate burner tube and igniter **counterclockwise** so tab is at 8 o'clock position.
- Move air shutter end of burner tube slightly to right and CAREFULLY remove burner tube and igniter assembly out through front of dryer.

IMPORTANT: The igniter is very fragile. Be careful not to damage it during removal.

- Remove screw holding burner housing to heat shroud, *Figure 20*.
- Remove screw holding front of burner housing to dryer base and remove housing out through front of dryer, *Figure 22*.

- Remove two screws holding shroud to heater box and take shroud out through front of dryer.

22. LIMIT THERMOSTAT

- While supporting the lower access panel, remove two screws from bottom edge of lower access panel, *Figure 18*.
- Gently lower the access panel to disengage guide lugs from bottom edge of front panel.
- Disconnect wires and remove screws attaching limit thermostat to burner housing or element plate, *Figure 22*.

23. HEATING ELEMENT

- While supporting the lower access panel, remove two screws from bottom edge of lower access panel, *Figure 18*.
- Gently lower the access panel to disengage guide lugs from bottom edge of front panel.
- Remove two screws holding element and plate to heater box and pull element down and away from heater box, *Figure 22*.
- Disconnect wires from element and plate, *Figure 22*.
- Remove screws holding thermostat and thermal fuse to element and plate, *Figure 22*.

NOTE: When reassembling, be sure all wire connectors are tight on element terminals, thermal fuse and limit thermostat.

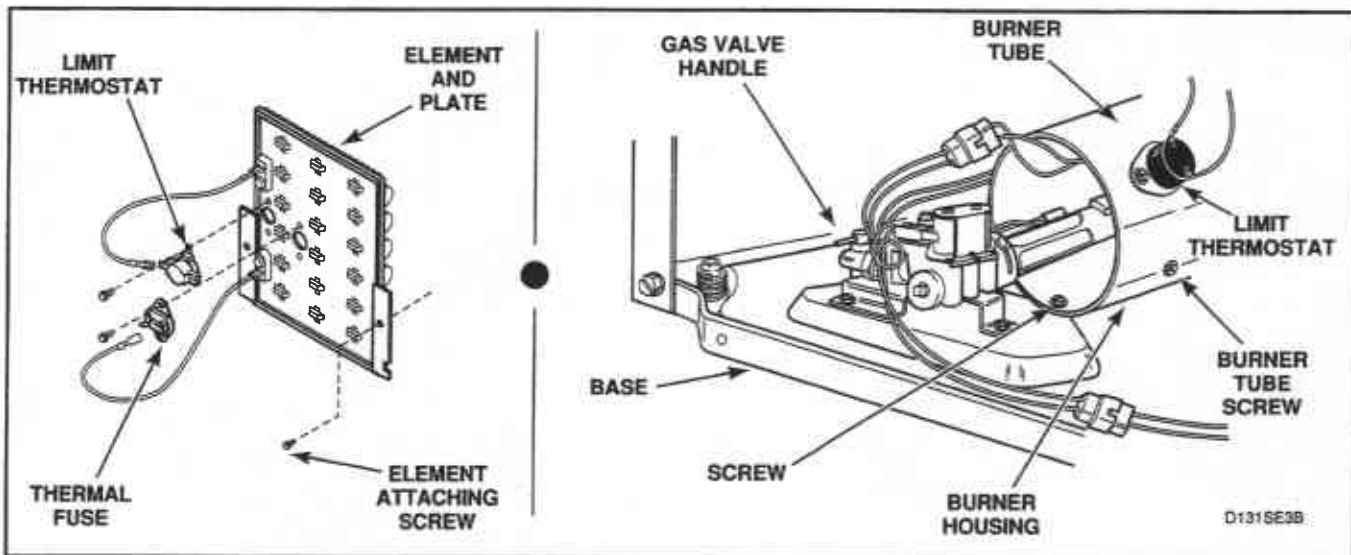


Figure 22

▲WARNING

To reduce the risk of electric shock, fire, explosion, serious injury or death:

- Disconnect electric power to the dryer before servicing.
- Close gas shut-off valve to gas dryer before servicing.
- Never start the dryer with any guards/panels removed.
- Whenever ground wires are removed during servicing, these ground wires must be reconnected to ensure that the dryer is properly grounded.

W001

24. THERMISTOR OR THERMOSTAT AND HEATER

- While supporting the lower access panel, remove two screws from bottom edge of lower access panel, *Figure 18*.
- Gently lower the access panel to disengage guide lugs from bottom edge of front panel.
- Disconnect wires and remove thermostat attaching screws, *Figure 23*, and remove thermostat and heater.

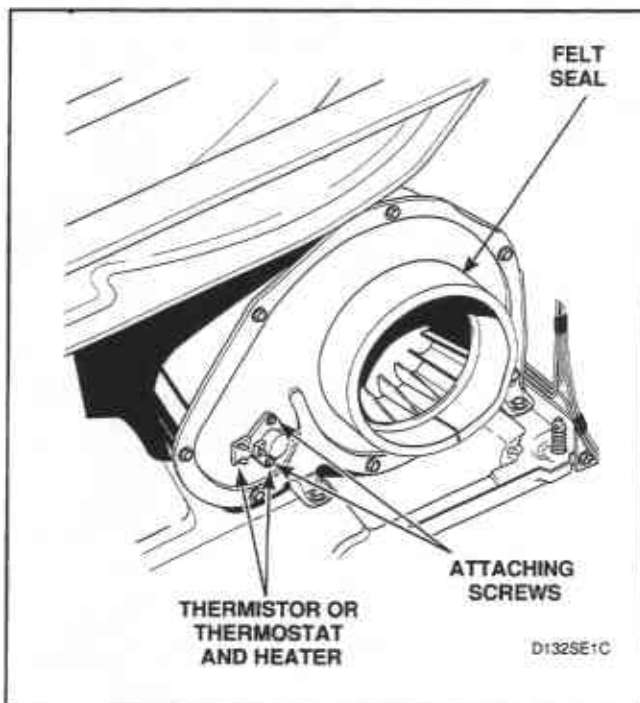


Figure 23

IMPORTANT: When installing lint filter, be sure to install the filter with the word "FRONT" facing the front of the dryer. If filter is installed backwards, lint will accumulate in exhaust system, causing fire and machine malfunction.

- Remove two screws holding duct to front bulkhead and remove air duct, *Figure 24*.

▲WARNING

To reduce the risk of serious injury or death by carbon monoxide and other gases in gas dryers, carefully read and follow all instructions given in this section.

W005

IMPORTANT: When reassembling, be sure felt seal on exhaust fan cover makes airtight seal on flange of duct, *Figure 23*. If the seal is installed improperly, the airflow through the exhaust system will be restricted which can adversely affect dryer performance.

25. FRONT AIR DUCT

- While supporting the lower access panel, remove two screws from bottom edge of lower access panel, *Figure 18*.
- Gently lower the access panel to disengage guide lugs from bottom edge of front panel.
- Open loading door, remove lint filter screws and lift filter out of bulkhead, *Figure 8*.

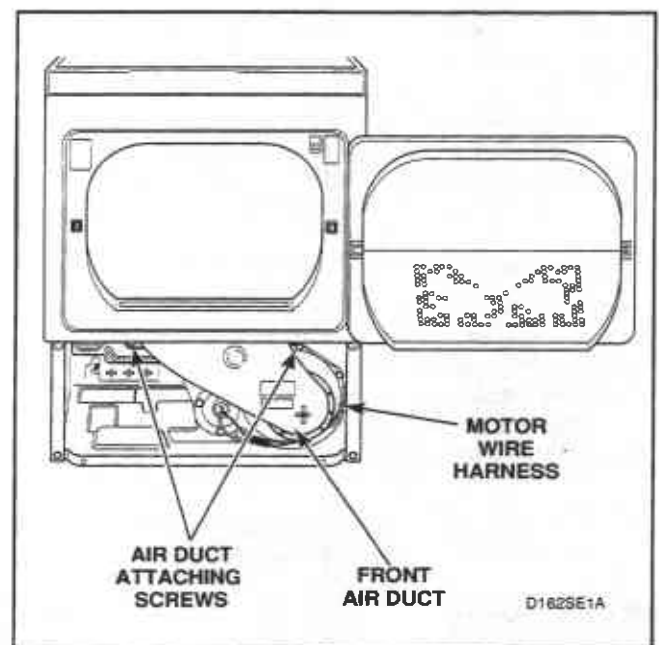


Figure 24

▲WARNING

To reduce the risk of electric shock, fire, explosion, serious injury or death:

- Disconnect electric power to the dryer before servicing.
- Close gas shut-off valve to gas dryer before servicing.
- Never start the dryer with any guards/panels removed.
- Whenever ground wires are removed during servicing, these ground wires must be reconnected to ensure that the dryer is properly grounded.

W001

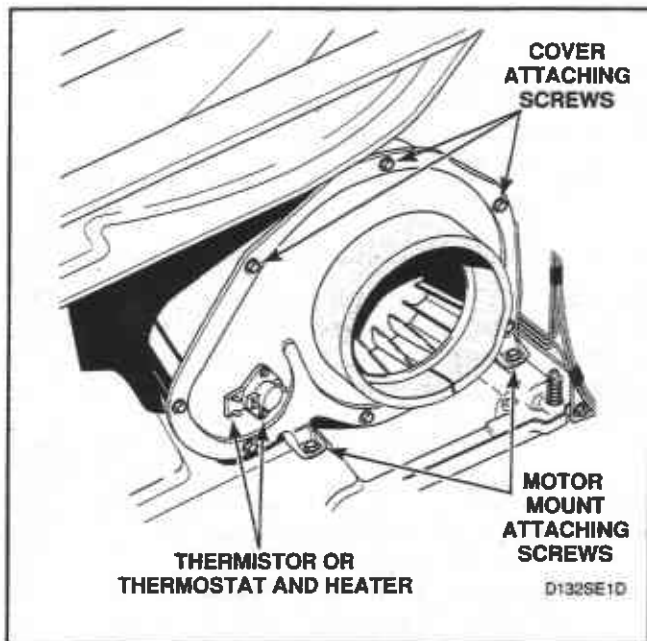


Figure 25

26. MOTOR AND EXHAUST ASSEMBLY

- While supporting the lower access panel, remove two screws from bottom edge of lower access panel, *Figure 18*.
- Gently lower the access panel to disengage guide lugs from bottom edge of front panel.
- Open loading door, remove lint filter screws and lift filter out of bulkhead, *Figure 8*.

▲WARNING

When installing lint filter, be sure to install the filter with the word "FRONT" facing the front of the dryer. If filter is installed backwards, lint will accumulate in exhaust system, causing fire and machine malfunction.

- Remove screws holding air duct to front bulkhead and remove air duct, *Figure 24*.

▲WARNING

To reduce the risk of serious injury or death by carbon monoxide and other gases in gas dryers, carefully read and follow all instructions given in this section.

W005

IMPORTANT: When reassembling, be sure felt seal on exhaust fan cover makes airtight seal on flange of duct, *Figure 23*. If the seal is installed improperly, the airflow through the exhaust system will be restricted which can adversely affect dryer performance.

- Disconnect wires from thermostat/thermistor and heater, *Figure 23*.

NOTE: Refer to appropriate wiring diagram when rewiring thermostat and heater.

- Remove cylinder belt from idler and motor pulleys, *Figure 26*.
- Disengage motor wire harness terminal block from motor switch by pressing in on the movable locking tabs (located on each end of the terminal block) and pulling away from motor, *Figure 29*.
- Remove two screws holding motor mounting bracket to dryer base, *Figure 25*.

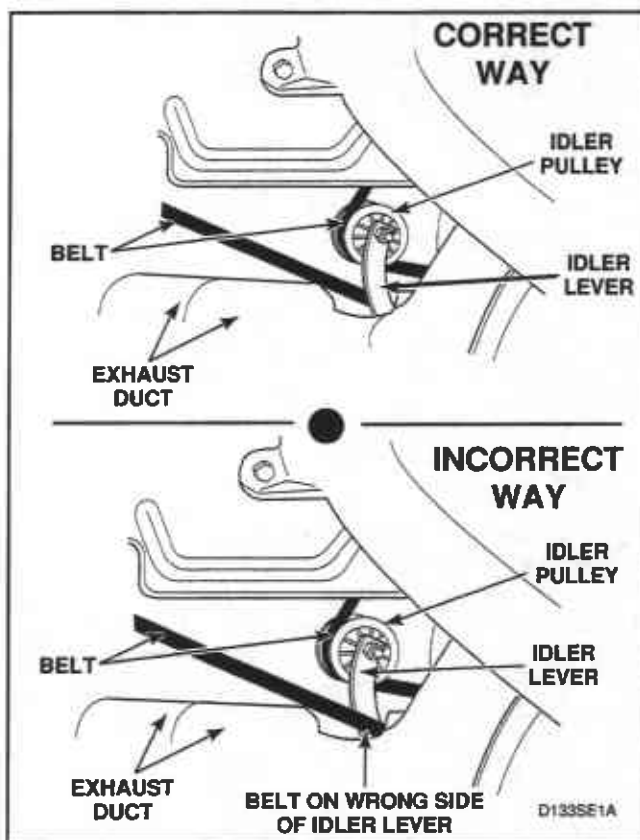


Figure 26

⚠WARNING

To reduce the risk of electric shock, fire, explosion, serious injury or death:

- Disconnect electric power to the dryer before servicing.
- Close gas shut-off valve to gas dryer before servicing.
- Never start the dryer with any guards/panels removed.
- Whenever ground wires are removed during servicing, these ground wires must be reconnected to ensure that the dryer is properly grounded.

W001

⚠WARNING

To reduce the risk of serious injury or death by carbon monoxide and other gases in gas dryers, carefully read and follow all instructions given in this section.

W005

IMPORTANT: When reassembling, be sure felt seal on exhaust fan cover makes airtight seal on flange of duct, *Figure 23*. If the seal is installed improperly, the airflow through the exhaust system will be restricted which can adversely affect dryer performance.

IMPORTANT: When reinstalling motor and exhaust assembly, be sure wire harness on right side is clipped to motor mounting bracket and is routed along dryer base (between motor mounting bracket and right side of cabinet), *Figure 24*. Tab on rear of motor mounting bracket must be slid into slot in dryer base. Be sure the belt has been installed on the correct side of the idler lever, *Figure 26*.

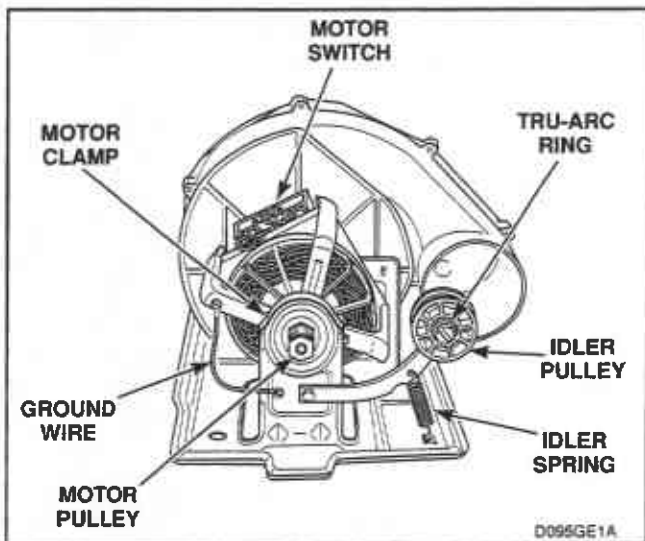


Figure 27

- i. Pull assembly forward and disengage the middle exhaust duct.
- j. Rotate the assembly 90° **counterclockwise** and slide out of machine.

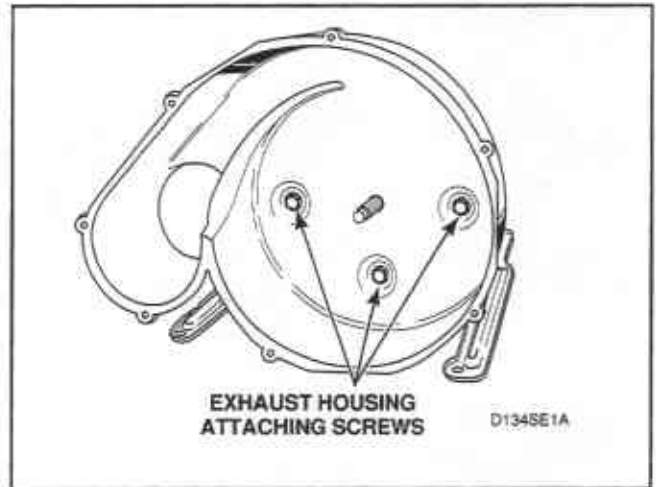


Figure 28

k. **Motor pulley and idler pulley assemblies.**

Refer to *Figure 27* for motor and idler pulley removal.

NOTE: Unthread motor pulley from motor shaft (left hand thread).

l. **Impeller and housing.**

- (1) Remove screws holding cover to housing, *Figure 25*.
- (2) Hold motor pulley securely and unthread impeller from motor shaft (right hand thread). Use a 7/8 inch, 6 point socket to aid in the removal of the impeller.
- (3) Remove three screws holding the exhaust housing to the motor mounting bracket, *Figure 28*.

⚠ WARNING

To reduce the risk of electric shock, fire, explosion, serious injury or death:

- Disconnect electric power to the dryer before servicing.
- Close gas shut-off valve to gas dryer before servicing.
- Never start the dryer with any guards/panels removed.
- Whenever ground wires are removed during servicing, these ground wires must be reconnected to ensure that the dryer is properly grounded.

W001

m. Motor.

- (1) Disengage motor wire harness terminal block from the motor by pressing in on the movable locking tabs (located on each side of the terminal block) and pulling away from motor, *Figure 29*.

IMPORTANT: To avoid an open circuit, **DO NOT** pull on the terminal block wires when removing blocks from motor as this could damage the wires or terminal crimping.

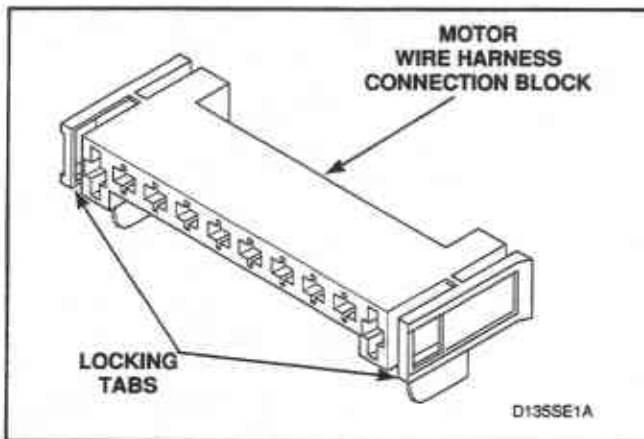


Figure 29

Before attaching wire harness terminal block to motor, be sure all the male terminals on motor are straight and are capable of accepting the terminals from the wire harness terminal block.

- (2) Disconnect ground wire from motor, *Figure 27*.
- (3) Pry two motor clamps off motor mounting bracket with screwdriver, *Figure 27*, then lift motor out of mounting bracket.

NOTE: When replacing motor, motor switch location should be at 10 o'clock position with the positioning tab on the motor engaged with the anti-rotating notch in the motor bracket.

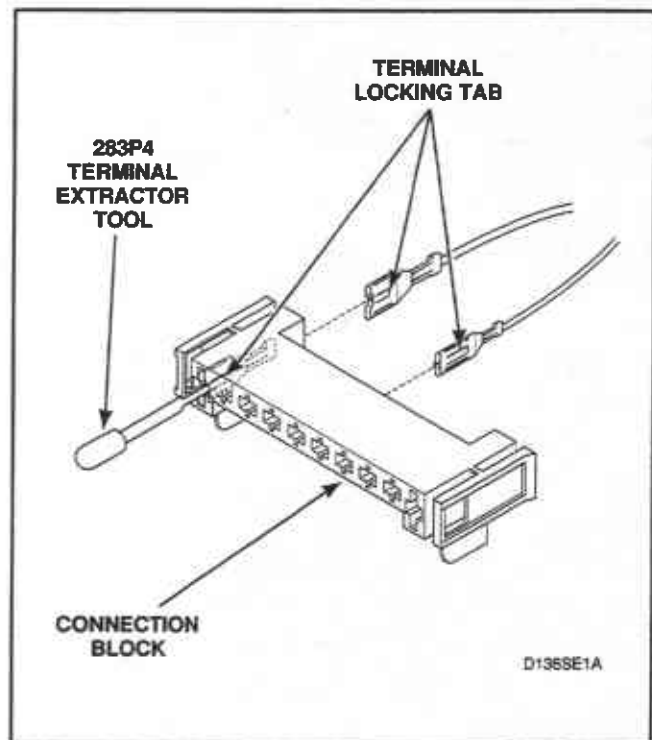


Figure 30

▲WARNING

To reduce the risk of electric shock, fire, explosion, serious injury or death:

- Disconnect electric power to the dryer before servicing.
- Close gas shut-off valve to gas dryer before servicing.
- Never start the dryer with any guards/panels removed.
- Whenever ground wires are removed during servicing, these ground wires must be reconnected to ensure that the dryer is properly grounded.

W001

27. CABINET TOP

- While supporting the lower access panel, remove two screws from bottom edge of lower access panel, *Figure 18*.
- Gently lower the access panel to disengage guide lugs from bottom edge of front panel.
- Remove two screws holding bottom tabs on front panel to dryer side panels, *Figure 18*. Swing bottom of front panel away from dryer far enough to disengage hold-down clips and guide lugs from cabinet top.
- Disconnect wires from door switch, *Figure 17*.

- Remove two cabinet top hold-down screws, *Figure 31*.
- Lift cabinet top to a vertical position by hinging it on the rear top hinges, *Figure 31*.

NOTE: Cabinet top may be raised and hinged on the rear hold-down hinges or supported against wall behind dryer while servicing.

- Carefully withdraw wire harness through hole in cabinet top and lift the top off the top hinges, *Figure 31*.

NOTE: Refer to appropriate wiring diagram when rewiring switch.

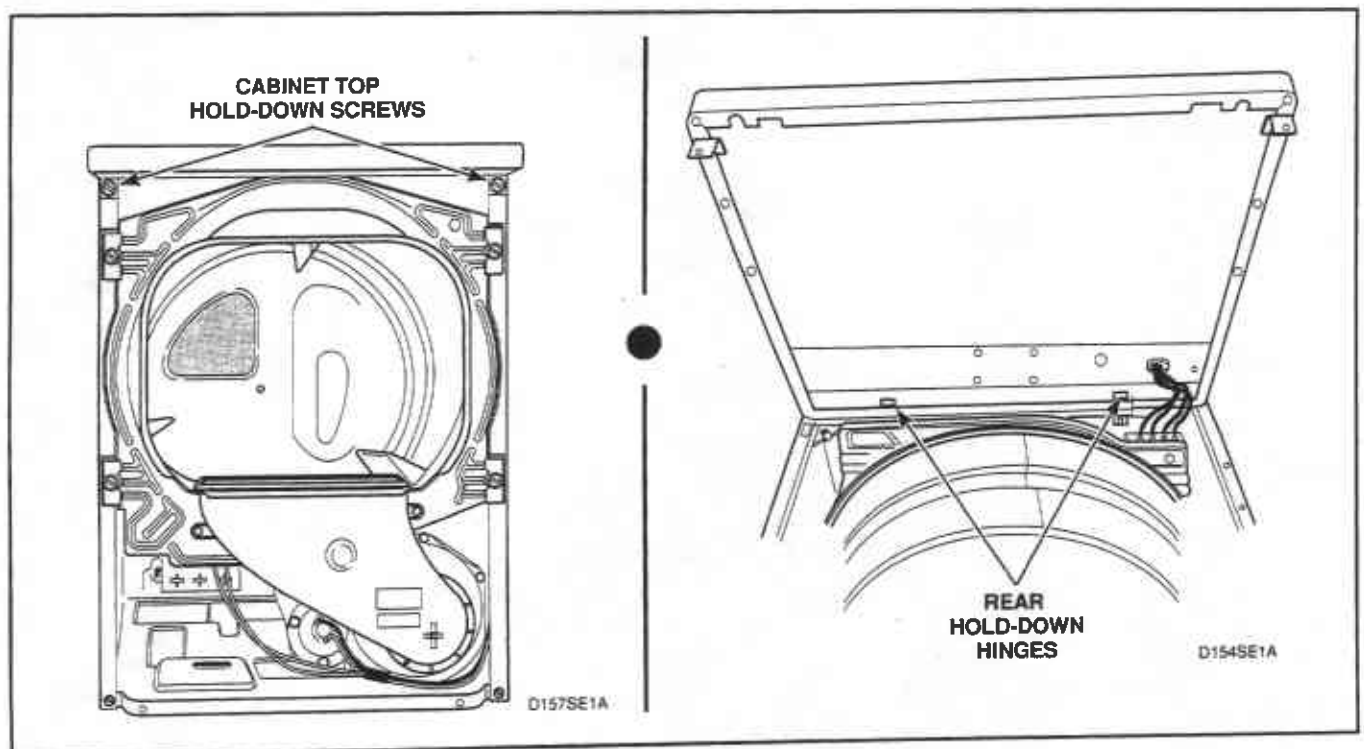


Figure 31

⚠ WARNING

To reduce the risk of electric shock, fire, explosion, serious injury or death:

- Disconnect electric power to the dryer before servicing.
- Close gas shut-off valve to gas dryer before servicing.
- Never start the dryer with any guards/panels removed.
- Whenever ground wires are removed during servicing, these ground wires must be reconnected to ensure that the dryer is properly grounded.

W001

28. CYLINDER LIGHT (Figure 32)

- Open loading door and remove screws holding the lens to the front bulkhead.
- Turn the bulb counterclockwise and twist out of light receptacle.

- Disconnect wires from door switch, Figure 17.
- Open loading door and remove screws holding the lens to the front bulkhead, Figure 32.
- Disconnect wires from light receptacle terminals.

29. CYLINDER LIGHT RECEPTACLE (Figure 32)

- While supporting the lower access panel, remove two screws from bottom edge of lower access panel, Figure 18.
- Gently lower the access panel to disengage guide lugs from bottom edge of front panel.

NOTE: Refer to appropriate wiring diagram when rewiring switch.

- Remove two screws holding receptacle to front bulkhead, Figure 32.
- Lift light receptacle out of front bulkhead.

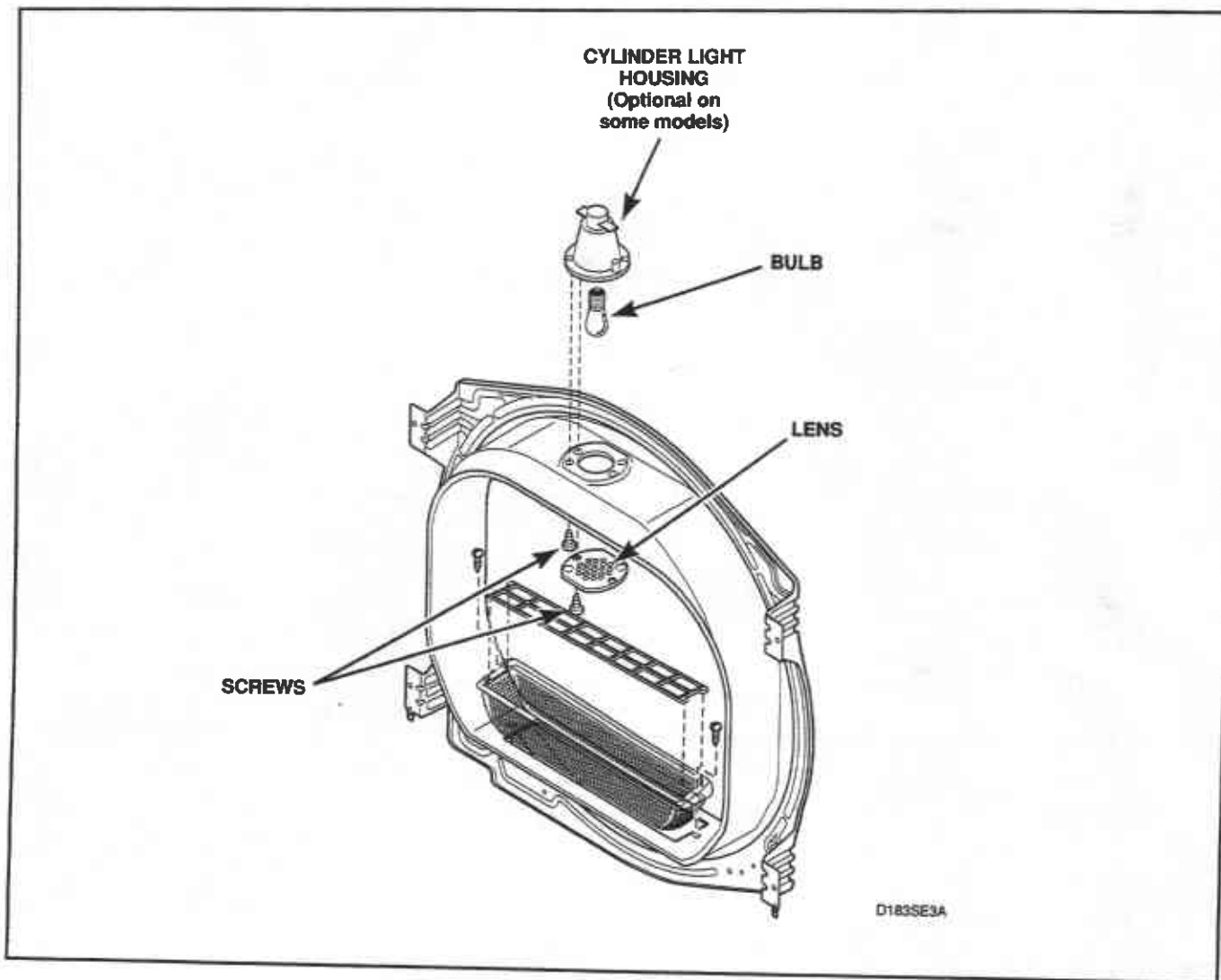


Figure 32

⚠WARNING

To reduce the risk of electric shock, fire, explosion, serious injury or death:

- Disconnect electric power to the dryer before servicing.
- Close gas shut-off valve to gas dryer before servicing.
- Never start the dryer with any guards/panels removed.
- Whenever ground wires are removed during servicing, these ground wires must be reconnected to ensure that the dryer is properly grounded.

W001

30. FRONT BULKHEAD ASSEMBLY

- While supporting the lower access panel, remove two screws from bottom edge of lower access panel, *Figure 18*.
- Gently lower the access panel to disengage guide lugs from bottom edge of front panel.
- Remove two screws holding bottom tabs on front panel to dryer side panels, *Figure 18*. Swing bottom of front panel away from dryer far enough to disengage hold-down clips and guide lugs from cabinet top.
- Disconnect wires from door switch, *Figure 17*.

NOTE: Refer to appropriate wiring diagram when rewiring switch.

- Disconnect wires to cylinder light (if applicable).
- Disconnect wires from moisture sensor (if applicable).
- Disengage belt from motor and idler pulleys, *Figure 26*.
- Remove four screws holding bulkhead to front flange of cabinet and lift complete bulkhead assembly out of slots in cabinet, *Figure 33*.

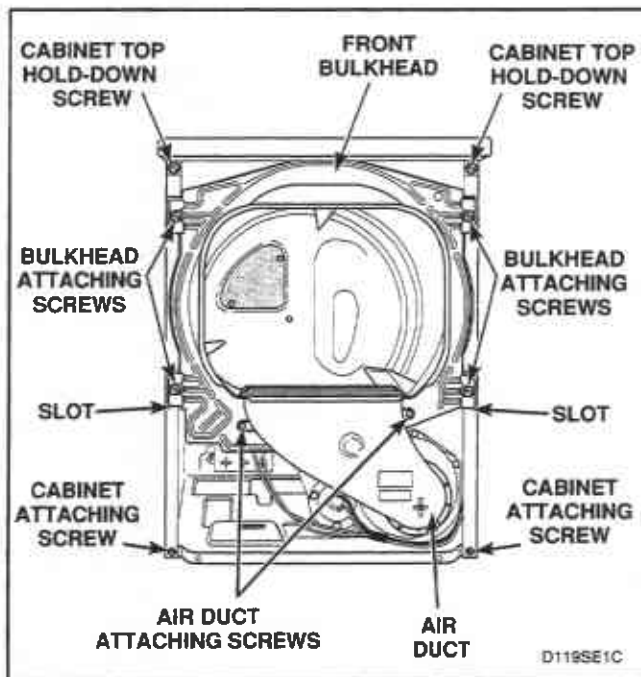


Figure 33

⚠WARNING

To reduce the risk of serious injury or death by carbon monoxide and other gases in gas dryers, carefully read and follow all instructions given in this section.

W005

IMPORTANT: When reassembling, be sure felt seal on exhaust fan cover makes airtight seal on flange of duct, *Figure 23*. If the seal is installed improperly, the airflow through the exhaust system will be restricted which can adversely affect dryer performance.

- Cylinder Glides and Glide Bracket** (Refer to *Figure 34*.)
 - Unsnap glide from each glide bracket.
 - Remove two screws holding glide bracket to front bulkhead.
- Front Cylinder Seal** (*Figure 34*)
Cylinder seal is connected to the bulkhead.

IMPORTANT: The replacement seal can be adhered to the bulkhead using No. 22506P Sealant. This is accomplished by applying a bead of sealant around the entire flanged area where the felt seal contacts the bulkhead.

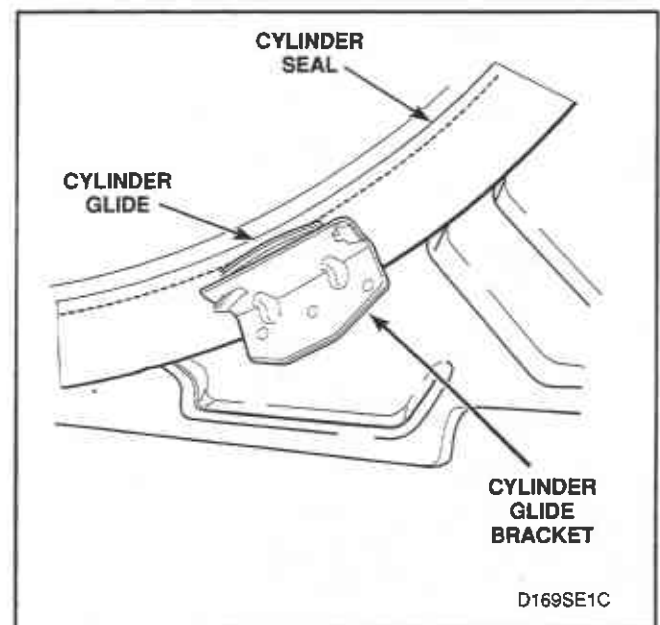


Figure 34

AWARNING

To reduce the risk of electric shock, fire, explosion, serious injury or death:

- **Disconnect electric power to the dryer before servicing.**
- **Close gas shut-off valve to gas dryer before servicing.**
- **Never start the dryer with any guards/panels removed.**
- **Whenever ground wires are removed during servicing, these ground wires must be reconnected to ensure that the dryer is properly grounded.**

W001

31. CYLINDER BELT

- a. While supporting the lower access panel, remove two screws from bottom edge of lower access panel, *Figure 18*.
- b. Gently lower the access panel to disengage guide lugs from bottom edge of front panel.
- c. Remove two screws holding bottom tabs on front panel to dryer side panels, *Figure 18*. Swing bottom of front panel away from dryer far enough to disengage hold-down clips and guide lugs from cabinet top.
- d. Disconnect wires from door switch, *Figure 17*.

NOTE: Refer to appropriate wiring diagram when rewiring switch.

- e. Disengage belt from motor and idler pulleys, *Figure 26*.
- f. Remove four screws holding bulkhead to front flange of cabinet. Then, lift complete bulkhead assembly out of slots in cabinet, *Figure 33*.

IMPORTANT: When reassembling, be sure felt seal on exhaust fan cover makes airtight seal on flange of duct, *Figure 23*. If the seal is installed improperly, the airflow through the exhaust system will be restricted which can adversely affect dryer performance.

- g. While supporting cylinder, carefully remove belt off cylinder.

NOTE: When installing belt, be sure belt is properly installed on motor and idler pulleys, and is on the correct side of the idler lever, *Figure 26*. Belt must be positioned around cylinder between center and rear baffle screws with the ribbed surface against the cylinder. After installing belt, manually rotate cylinder counterclockwise to check that belt is properly aligned.

AWARNING

To reduce the risk of serious injury or death by carbon monoxide and other gases in gas dryers, carefully read and follow all instructions given in this section.

W005

⚠ WARNING

To reduce the risk of electric shock, fire, explosion, serious injury or death:

- Disconnect electric power to the dryer before servicing.
- Close gas shut-off valve to gas dryer before servicing.
- Never start the dryer with any guards/panels removed.
- Whenever ground wires are removed during servicing, these ground wires must be reconnected to ensure that the dryer is properly grounded.

W001

32. CYLINDER ASSEMBLY

- While supporting the lower access panel, remove two screws from bottom edge of lower access panel, *Figure 18*.
- Gently lower the access panel to disengage guide lugs from bottom edge of front panel.
- Remove two screws holding bottom tabs on front panel to dryer side panels, *Figure 18*. Swing bottom of front panel away from dryer far enough to disengage hold-down clips and guide lugs from cabinet top.
- Disconnect wires from door switch, *Figure 17*.

NOTE: Refer to appropriate wiring diagram when rewiring switch.

- Disengage belt from motor and idler pulleys, *Figure 26*.

NOTE: When reinstalling belt, be sure belt is properly installed on motor and idler pulleys, and is on the correct side of the idler lever, *Figure 26*. Belt must be positioned around cylinder between center and rear baffle screws with the ribbed surface against the cylinder. After installing belt, manually rotate cylinder counterclockwise to check that belt is properly aligned.

- Remove four screws holding bulkhead to front flange of cabinet. Then lift complete bulkhead assembly out of slots in cabinet, *Figure 33*.

⚠ WARNING

To reduce the risk of serious injury or death by carbon monoxide and other gases in gas dryers, carefully read and follow all instructions given in this section.

W005

IMPORTANT: When reassembling, be sure felt seal on exhaust fan cover makes airtight seal on flange of duct, *Figure 23*. If the seal is installed improperly, the airflow through the exhaust system will be restricted which can adversely affect dryer performance.

- Loosen two cabinet top hold-down screws, *Figure 33*.
- Manually rotate cylinder until one of the baffles is at the 6 o'clock position and carefully remove cylinder out through front of dryer.
- Baffles - Remove screws holding baffles to cylinder, *Figure 35*.

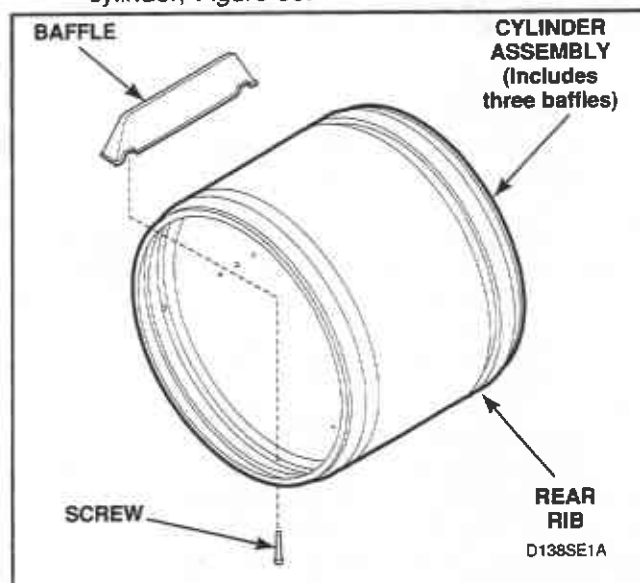


Figure 35

⚠WARNING

To reduce the risk of electric shock, fire, explosion, serious injury or death:

- **Disconnect electric power to the dryer before servicing.**
- **Close gas shut-off valve to gas dryer before servicing.**
- **Never start the dryer with any guards/panels removed.**
- **Whenever ground wires are removed during servicing, these ground wires must be reconnected to ensure that the dryer is properly grounded.**

W001

33. REAR SEAL

- While supporting the lower access panel, remove two screws from bottom edge of lower access panel, *Figure 18*.
- Gently lower the access panel to disengage guide lugs from bottom edge of front panel.
- Remove two screws holding bottom tabs on front panel to dryer side panels, *Figure 18*. Swing bottom of front panel away from dryer far enough to disengage hold-down clips and guide lugs from cabinet top.
- Disconnect wires from door switch, *Figure 17*.

NOTE: Refer to appropriate wiring diagram when rewiring switch.

- Remove two cabinet top hold-down screws, *Figure 31*.
- Lift cabinet top to a vertical position by hinging it on the rear hold-down hinges, *Figure 31*.

NOTE: Cabinet top may be raised and hinged on the rear hold-down hinges, or supported against a wall behind the dryer.

- Disengage belt from motor and idler pulleys, *Figure 26*.

NOTE: When reinstalling belt, be sure belt is properly installed on motor and idler pulleys and is on the correct side of the idler lever, *Figure 26*. Belt must be positioned between center and rear baffle screws with the ribbed surface against the cylinder. After installing belt, manually rotate cylinder counterclockwise to check that belt is properly aligned.

- Remove four screws holding bulkhead to front flange of cabinet. Then, lift complete bulkhead assembly out of slots in cabinet, *Figure 33*.

⚠WARNING

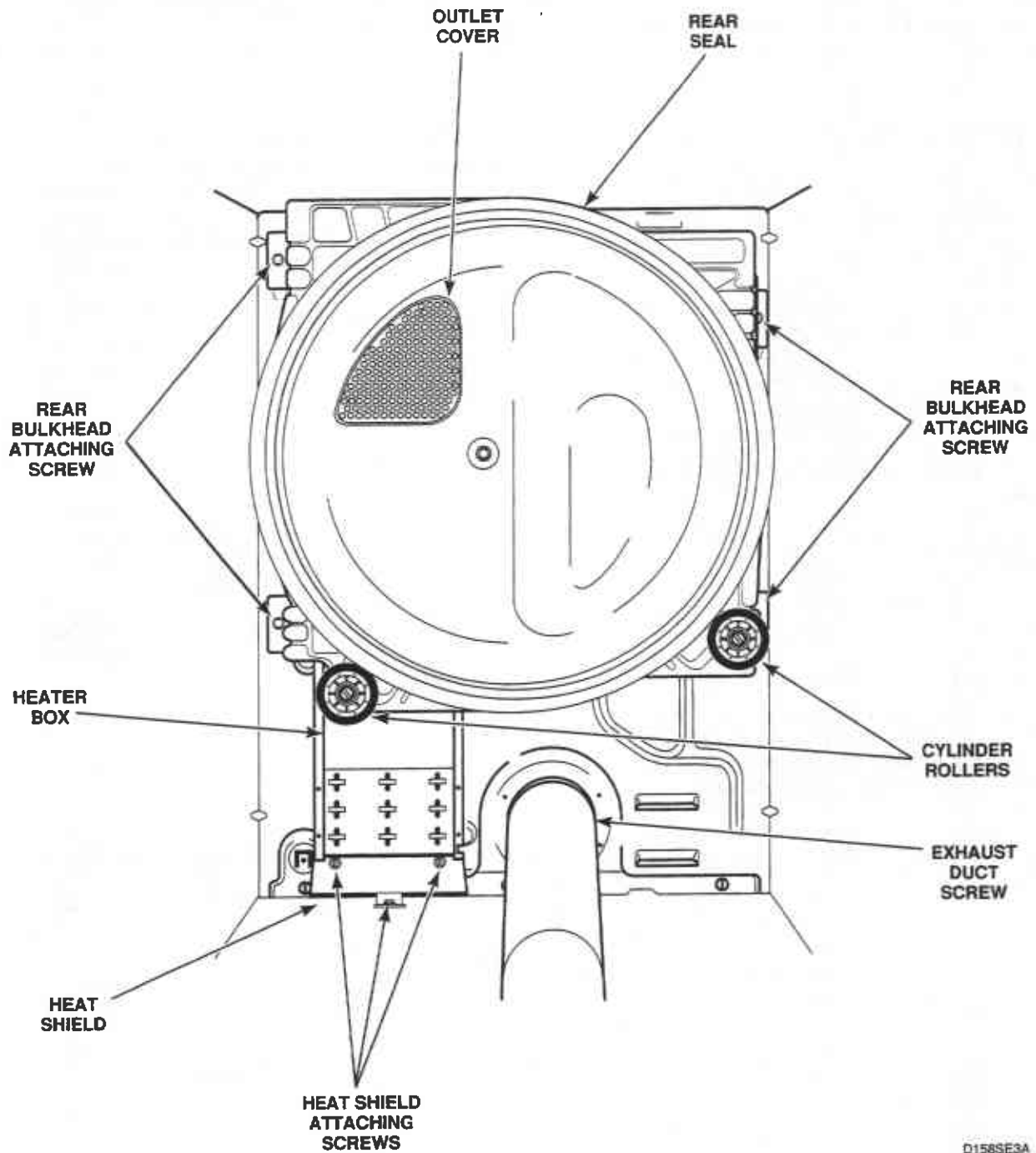
To reduce the risk of serious injury or death by carbon monoxide and other gases in gas dryers, carefully read and follow all instructions given in this section.

W005

IMPORTANT: When reassembling, be sure felt seal on exhaust fan cover makes airtight seal on flange of duct, *Figure 23*. If the seal is installed improperly, the airflow through the exhaust system will be restricted which can adversely affect dryer performance.

- Manually rotate cylinder until one of the baffles is at the 6 o'clock position and carefully remove cylinder out through front of dryer.
- Pull rear cylinder seal from flanged edge of bulkhead, *Figure 36*.

IMPORTANT: The seal can be adhered to the bulkhead using replacement sealant No. 22506P. This is accomplished by applying a bead of sealant around the entire flanged area where the felt seal contacts the bulkhead.



D158SE3A

Rear Bulkhead

Figure 36

▲WARNING

To reduce the risk of electric shock, fire, explosion, serious injury or death:

- Disconnect electric power to the dryer before servicing.
- Close gas shut-off valve to gas dryer before servicing.
- Never start the dryer with any guards/panels removed.
- Whenever ground wires are removed during servicing, these ground wires must be reconnected to ensure that the dryer is properly grounded.

W001

34. CYLINDER ROLLERS

- While supporting the lower access panel, remove two screws from bottom edge of lower access panel, *Figure 18*.
- Gently lower the access panel to disengage guide lugs from bottom edge of front panel.
- Remove two screws holding bottom tabs on front panel to dryer side panels, *Figure 18*. Swing bottom of front panel away from dryer far enough to disengage hold-down clips and guide lugs from cabinet top.
- Disconnect wires from door switch, *Figure 17*.

NOTE: Refer to appropriate wiring diagram when rewiring switch.

- Disengage belt from motor and idler pulleys, *Figure 26*.
- Remove four screws holding bulkhead to front flange of cabinet. Then lift complete bulkhead assembly out of slots in cabinet, *Figure 33*.

▲WARNING

To reduce the risk of serious injury or death by carbon monoxide and other gases in gas dryers, carefully read and follow all instructions given in this section.

W005

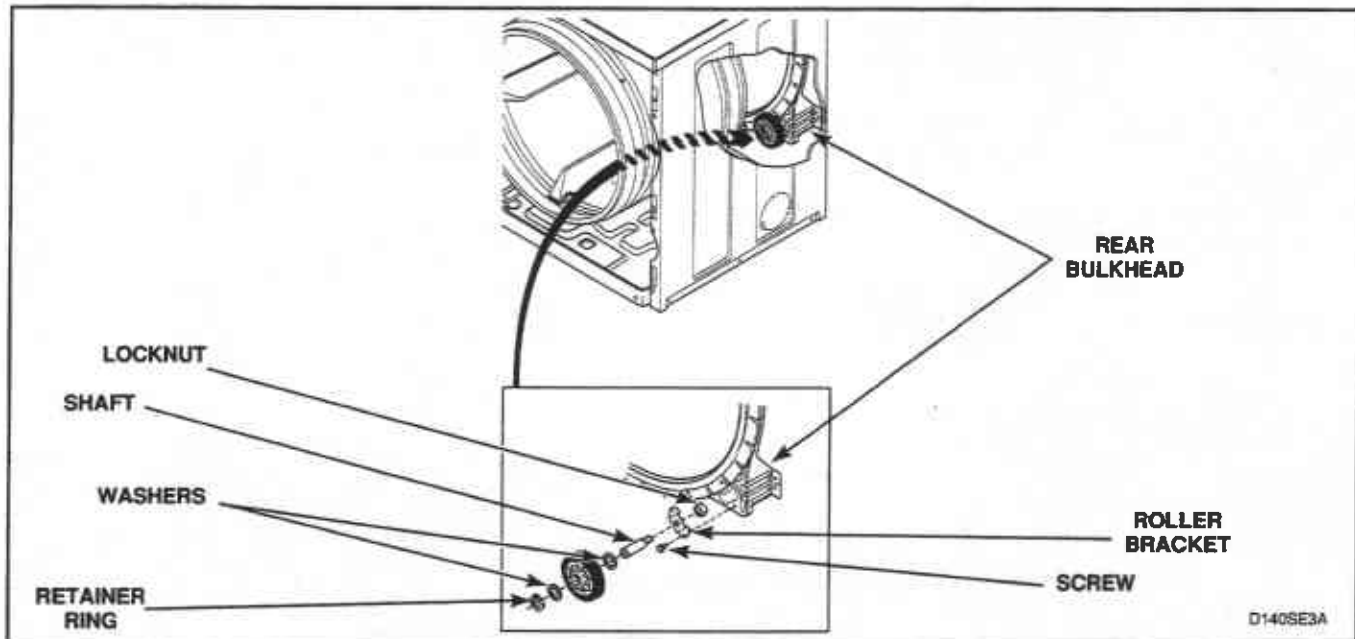
IMPORTANT: When reassembling, be sure felt seal on exhaust fan cover makes airtight seal on flange of duct, *Figure 23*. If the seal is installed improperly, the airflow through the exhaust system will be restricted which can adversely affect dryer performance.

- Pull cylinder forward allowing rear of cylinder to drop down exposing rollers, *Figure 37*.
- Refer to *Figure 37* for removal of roller from bulkhead.

35. OUTLET COVER

NOTE: Outlet Cover is not removable from the Heater Box Assembly that originally came with the dryer. It is only removable from the replacement Heater Box Assembly, Part No. 500179P.

- Open door and remove two screws holding outlet cover to rear bulkhead, *Figure 36*. (If present)



D140SE3A

Figure 37

▲WARNING

To reduce the risk of electric shock, fire, explosion, serious injury or death:

- Disconnect electric power to the dryer before servicing.
- Close gas shut-off valve to gas dryer before servicing.
- Never start the dryer with any guards/panels removed.
- Whenever ground wires are removed during servicing, these ground wires must be reconnected to ensure that the dryer is properly grounded.

W001

36. REAR BULKHEAD AND HEATER BOX

- While supporting the lower access panel, remove two screws from bottom edge of lower access panel, *Figure 18*.
- Gently lower the access panel to disengage guide lugs from bottom edge of front panel.
- Remove two screws from bottom tabs on front panel to dryer side panels, *Figure 18*. Swing bottom of front panel away from dryer far enough to disengage hold-down clips and guide lugs from cabinet top.
- Disconnect wires from door switch, *Figure 17*.

NOTE: Refer to appropriate wiring diagram when rewiring switch.

- Disengage belt from motor and idler pulleys, *Figure 26*.

NOTE: When reinstalling belt, be sure belt is properly installed on motor and idler pulleys and is on the correct side of the idler lever, *Figure 26*. Belt must be positioned around cylinder between center and rear baffle screws with the ribbed surface against the cylinder. After installing belt, manually rotate cylinder counterclockwise to check that belt is properly aligned.

- Remove four screws holding bulkhead to front flange of cabinet. Then lift complete bulkhead assembly out of slots in cabinet, *Figure 33*.

▲WARNING

To reduce the risk of serious injury or death by carbon monoxide and other gases in gas dryers, carefully read and follow all instructions given in this section.

W005

IMPORTANT: When reassembling, be sure felt seal on exhaust fan cover makes airtight seal on flange of duct, *Figure 23*. If the seal is installed improperly, the airflow through the exhaust system will be restricted which can adversely affect dryer performance.

- Loosen two cabinet top hold-down screws, *Figure 31*.

- Manually rotate cylinder until one of the baffles is at the 6 o'clock position and carefully remove cylinder out through front of dryer.

i. Gas Models:

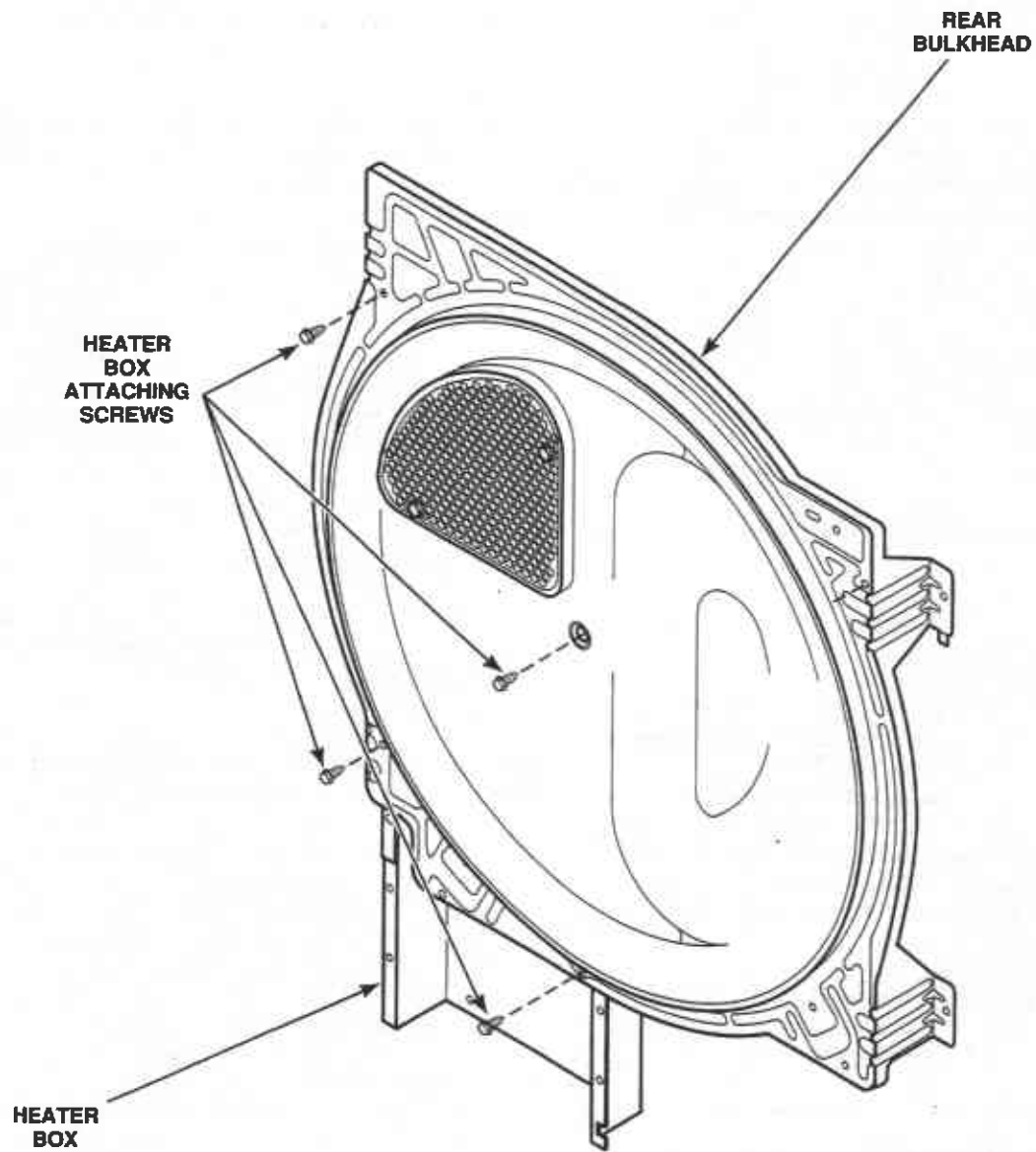
- Disconnect igniter wires at disconnect blocks, sensor wires from flame sensor terminals, and wires from gas valve coils at the quick disconnect blocks, *Figure 20*.
- Remove screw from right side of burner housing, while holding burner tube in place, *Figure 22*.
- Gently move burner tube toward rear of dryer to disengage tab from slot on left side of burner housing, *Figure 20*.
- Carefully rotate burner tube and igniter **counterclockwise** so tab is at 8 o'clock position.
- Move air shutter end of burner tube slightly to right and **CAREFULLY** remove burner tube and igniter assembly out through front of dryer.

IMPORTANT: The igniter is very fragile. Be careful not to damage it during removal.

- Remove screw holding burner housing to heat shroud, *Figure 20*.
- Remove screw holding front of burner housing to dryer base and remove housing out through front of dryer, *Figure 22*.
- Remove four screws holding shroud to heater box, *Figure 20*, and remove shroud out through front of dryer.

j. Electric Models:

- Remove two screws holding element and plate to heater box, then pull element down and away from heater box, *Figure 22*.
- Remove screw holding heat shield to dryer base, *Figure 36*.
- While supporting bulkhead, remove the four screws holding rear bulkhead to dryer cabinet, *Figure 36*, then lift complete assembly out of dryer.
- To remove heat shield from heater box, remove two screws holding heat shield to heater box, *Figure 36*.
- To remove heater box from rear bulkhead, refer to *Figure 38*.



Rear Bulkhead

Figure 45

▲WARNING

To reduce the risk of electric shock, fire, explosion, serious injury or death:

- **Disconnect electric power to the dryer before servicing.**
- **Close gas shut-off valve to gas dryer before servicing.**
- **Never start the dryer with any guards/panels removed.**
- **Whenever ground wires are removed during servicing, these ground wires must be reconnected to ensure that the dryer is properly grounded.**

W001

37. TERMINAL BLOCK OR POWER CORD

a. Terminal Block:

- (1) While supporting the lower access panel, remove two screws from bottom edge of lower access panel, *Figure 18*.
- (2) Gently lower the access panel to disengage guide lugs from bottom edge of front panel.
- (3) Remove two screws holding bottom tabs on front panel to dryer side panels, *Figure 18*. Swing bottom of front panel away from dryer far enough to disengage hold-down clips and guide lugs from cabinet top.
- (4) Disconnect wires from door switch, *Figure 17*.

- (5) Remove two cabinet hold-down screws, *Figure 31*.
- (6) Lift cabinet top to a vertical position by hinging it on the rear hold-down brackets, *Figure 31*.

NOTE: When servicing, cabinet top may be raised and hinged on the rear hold-down brackets, or supported against wall behind the dryer.

- (7) Remove all wires from terminal block. (Refer to appropriate wiring diagram when rewiring terminal block).
- (8) Remove screw holding terminal block to rear bulkhead, *Figure 39*.

NOTE: Refer to appropriate wiring diagram when rewiring switch.

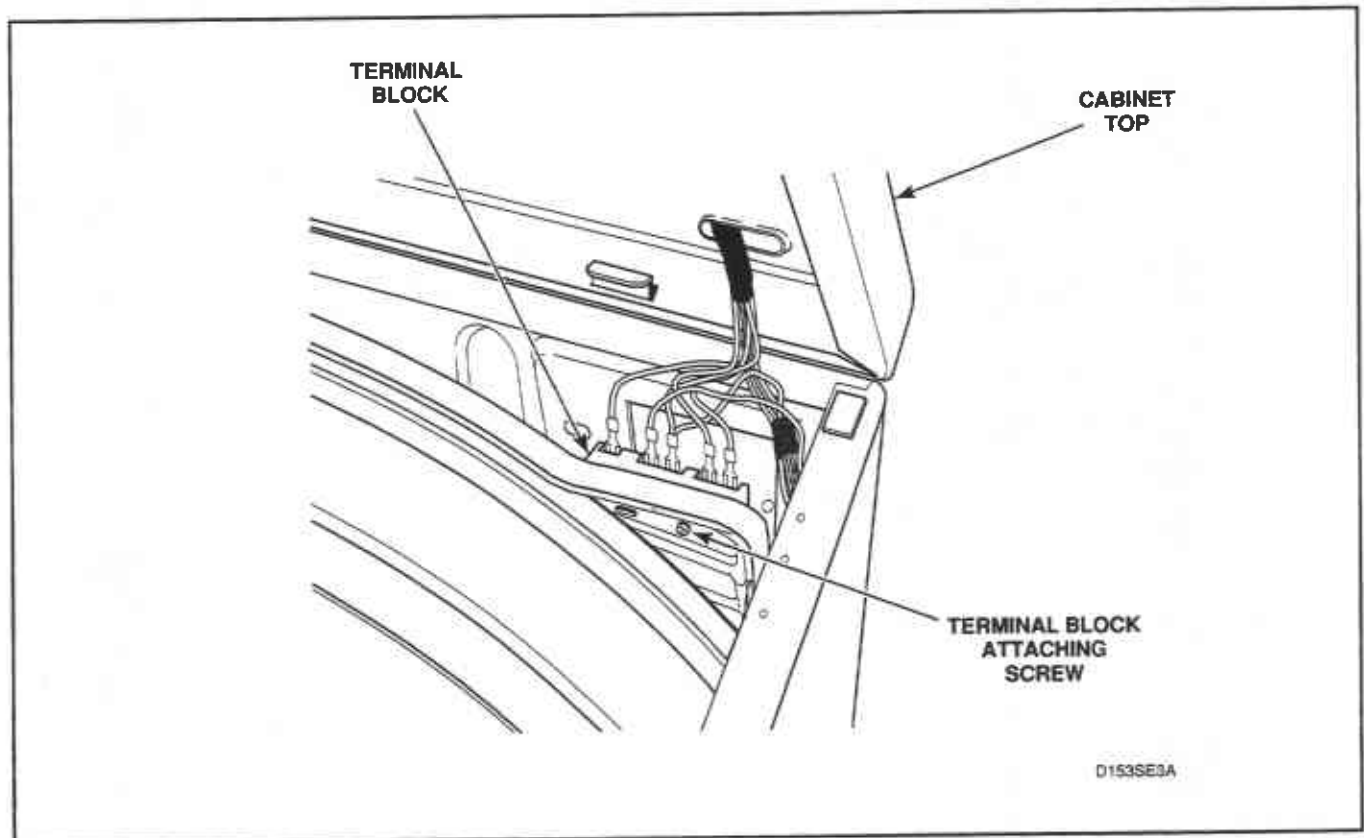


Figure 39

▲WARNING

To reduce the risk of electric shock, fire, explosion, serious injury or death:

- Disconnect electric power to the dryer before servicing.
- Close gas shut-off valve to gas dryer before servicing.
- Never start the dryer with any guards/panels removed.
- Whenever ground wires are removed during servicing, these ground wires must be reconnected to ensure that the dryer is properly grounded.

W001

b. Power Cord:

- (1) Remove access plate on rear of cabinet.
- (2) Remove strain relief.
- (3) Remove screw holding power cord ground wire to rear bulkhead, *Figure 40*.

NOTE: Reinstall screw and ground wires into same hole in bulkhead when reinstalling power cord.

- (4) Disconnect molex plug and remove power cord from rear of dryer cabinet.

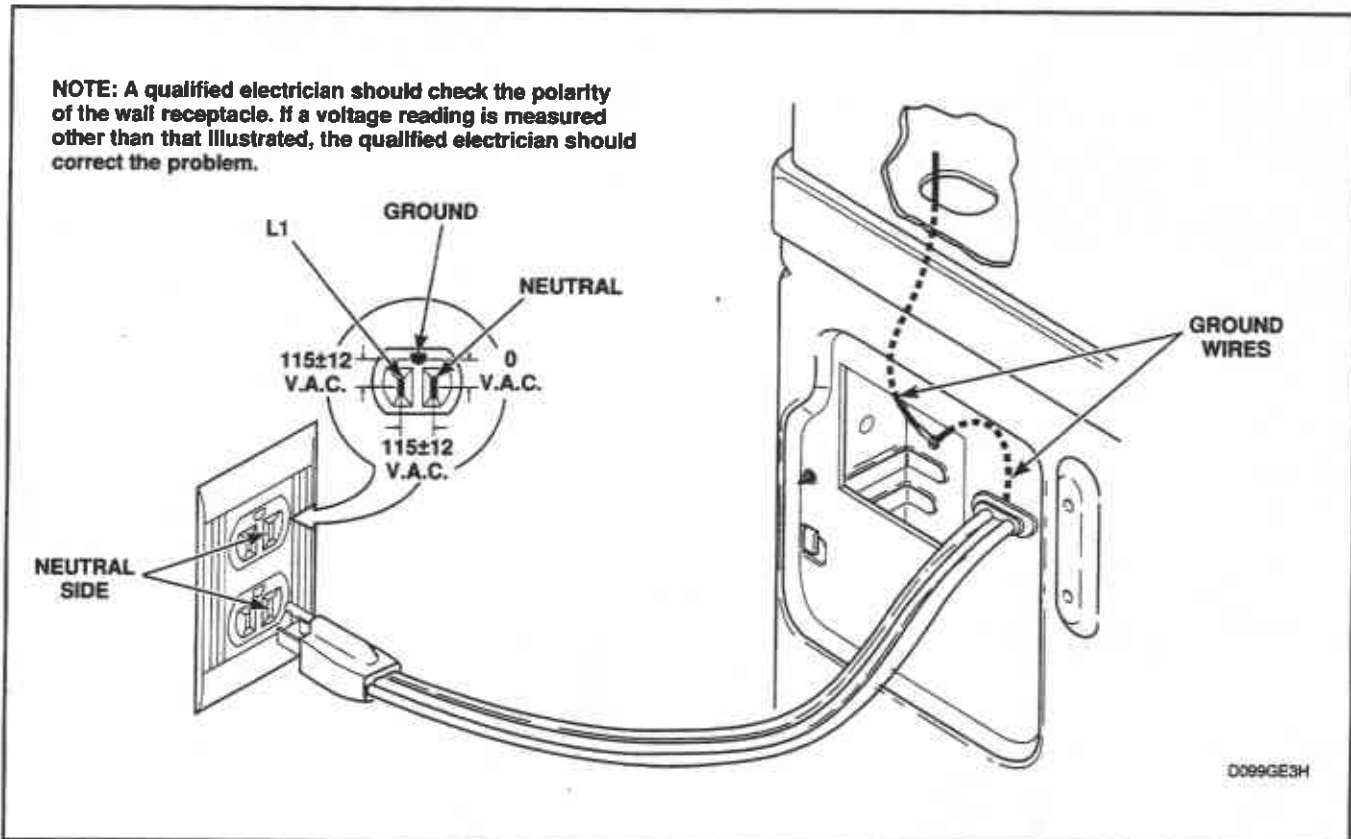


Figure 40

▲WARNING

To reduce the risk of electric shock, fire, explosion, serious injury or death:

- **Disconnect electric power to the dryer before servicing.**
- **Close gas shut-off valve to gas dryer before servicing.**
- **Never start the dryer with any guards/panels removed.**
- **Whenever ground wires are removed during servicing, these ground wires must be reconnected to ensure that the dryer is properly grounded.**

W001

38. TERMINAL BLOCK TERMINALS

Remove terminals from the plastic connector block using No. 283P4 Terminal Extractor Tool as follows:

- a. Insert the tool into the plastic connector block on the back of the terminal being removed, *Figure 30*.
- b. Apply tool pressure to compress the terminal locking tab on terminal and force the terminal out back side of plastic connector block, *Figure 30*.

To install terminal in plastic connector block, insert terminal (with wire securely crimped in place) into back side of plastic connector block. Push terminal into plastic connector block until locking tab on terminal spreads and holds terminal in place.

39. CABINET

- a. Remove six screws (three on top and three at lower front) holding the hood assembly to the control hood rear panel and cabinet top, *Figures 5, 6, 7*.
- b. Rotate the assembly forward to access inner wiring.
- c. Disconnect wiring from inner components and carefully remove components from control hood assembly.

NOTE: Refer to appropriate wiring diagram when rewiring component parts.

- d. Rotate control hood assembly forward and lift to free assembly from hold-down clips.
- e. Remove two screws from bottom edge of lower front access panel, *Figure 18*.
- f. Swing bottom of panel away from dryer to disengage hold-down clips and guide lugs from bottom edge of front panel.

- g. Remove two screws holding bottom tabs on front panel to dryer side panels, *Figure 18*. Swing bottom of front panel away from dryer far enough to disengage hold-down clips and guide lugs from cabinet top.
- h. Disconnect wires from door switch, *Figure 17*.

NOTE: Refer to appropriate wiring diagram when rewiring switch.

- i. Remove two cabinet top hold-down screws, *Figure 31*.
- j. Lift cabinet top to a vertical position by hinging it on the rear hold-down brackets, *Figure 31*.

NOTE: Cabinet top may be raised and hinged on the rear hold-down hinges or supported against wall behind dryer while servicing.

- k. Carefully withdraw wire harness through hole in cabinet top and lift the top off the hold-down hinges with timer case attached, *Figure 31*.
- l. Disengage belt from motor and idler pulleys, *Figure 26*.

NOTE: When reinstalling belt, be sure belt is properly installed on motor and idler pulleys and is on the correct side of the idler lever, *Figure 26*. Belt must be positioned around cylinder between center and rear baffle screws with the ribbed surface against the cylinder. After installing belt, manually rotate cylinder counterclockwise to check that belt is properly aligned.

- m. Remove four screws holding bulkhead to front flange of cabinet and lift complete bulkhead assembly out of slots in cabinet, *Figure 33*.
- n. Manually rotate cylinder until one of the baffles is at the 6 o'clock position and carefully remove cylinder out through front of dryer.

▲WARNING

To reduce the risk of electric shock, fire, explosion, serious injury or death:

- Disconnect electric power to the dryer before servicing.
- Close gas shut-off valve to gas dryer before servicing.
- Never start the dryer with any guards/panels removed.
- Whenever ground wires are removed during servicing, these ground wires must be reconnected to ensure that the dryer is properly grounded.

W001

o. Gas Models:

- (1) Disconnect igniter wires at disconnect blocks, sensor wires from flame sensor terminals, and wires from gas valve coils at the quick disconnect blocks, *Figure 20*.
- (2) Remove screw from right side of burner housing holding burner tube in place, *Figure 22*.
- (3) Gently move burner tube toward rear of dryer to disengage tab from slot on left side of burner housing, *Figure 20*.
- (4) Carefully rotate burner tube and igniter **counterclockwise** so tab is at 8 o'clock position.
- (5) Move air shutter end of burner tube slightly to right and CAREFULLY remove burner tube and igniter assembly out through front of dryer.

IMPORTANT: The igniter is very fragile. Be careful not to damage it during removal.

- (6) Remove screw holding burner housing to heat shroud, *Figure 20*.
- (7) Remove screw holding front of burner housing to dryer base and remove housing out through front of dryer, *Figure 20*.
- (8) Remove four screws holding shroud to heater box, *Figure 20*, and remove shroud out through front of dryer.

p. Electric Models:

- Remove two screws holding element and plate to heater box, then pull element down and away from heater box, *Figure 22*.
- q. Remove screw holding heat shield to dryer base, *Figure 36*.
 - r. While supporting bulkhead, remove screws holding bulkhead to rear of dryer cabinet, and remove assembly out of dryer, *Figure 36*.
 - s. Remove screw holding exhaust duct to dryer cabinet and pull duct out of cabinet, *Figure 36*.
 - t. Remove two screws from each rear cabinet top hold-down bracket, *Figure 33*.
 - u. Remove screw holding access plate and remove plate.
 - v. Remove wire harness clips.
 - w. Remove guide lugs and screws.
 - x. Remove two screws from front edge at each side of cabinet, *Figure 33*. Then remove remaining screws from around bottom of cabinet and lift cabinet off base.

⚠ WARNING

To reduce the risk of electric shock, fire, explosion, serious injury or death:

- Disconnect electric power to the dryer before servicing.
- Close gas shut-off valve to gas dryer before servicing.
- Never start the dryer with any guards/panels removed.
- Whenever ground wires are removed during servicing, these ground wires must be reconnected to ensure that the dryer is properly grounded.

W001

40. BASE

- While supporting the lower access panel, remove two screws from bottom edge of lower access panel, *Figure 18*.
- Gently lower the access panel to disengage guide lugs from bottom edge of front panel.
- Remove two screws holding bottom tabs on front panel to dryer side panels, *Figure 18*. Swing bottom of front panel away from dryer far enough to disengage hold-down clips and guide lugs from cabinet top.
- Disconnect wires from door switch, *Figure 17*.

NOTE: Refer to appropriate wiring diagram when rewiring switch.

e. Gas Models:

- Disconnect igniter wires at disconnect blocks, sensor wires from flame sensor terminals, and wires from gas valve coils at the quick disconnect blocks, *Figure 20*.
- Close main gas shut-off valve and gas shut-off valve inside of dryer, *Figure 20*.
- Disconnect gas line to dryer.
- Remove three screws holding gas valve bracket to base and remove valve with lead-in pipe attached, *Figure 20*.
- Remove screw from right side of burner housing, holding burner tube in place, *Figure 22*.
- Gently move burner tube toward rear of dryer to disengage tab from slot on left side of burner housing, *Figure 20*.
- Carefully rotate burner tube and igniter counterclockwise so tab is at 8 o'clock position and CAREFULLY remove burner tube and igniter assembly out through front of dryer.

IMPORTANT: The igniter is very fragile. Be careful not to damage it during removal.

- Remove screw holding front of burner housing to dryer base, *Figure 22*.
- Remove four screws holding shroud to heater box, *Figure 20*, and remove shroud and burner housing out through front of dryer.

f. Electric Models:

- Remove two screws holding element and plate to heater box, then pull element down and away from heater box, *Figure 22*.
 - Disconnect wire harness from limit thermostat, thermal fuse and/or heating element, *Figure 22*.
- g. Remove screw holding heat shield to dryer base, *Figure 38*.

- Remove lint filter screws and lint filter, *Figure 8*.
- Remove screws holding air duct to front bulkhead and remove air duct, *Figure 24*.

⚠ WARNING

To reduce the risk of serious injury or death by carbon monoxide and other gases in gas dryers, carefully read and follow all instructions given in this section.

W005

IMPORTANT: When reassembling, be sure felt seal on exhaust fan cover makes airtight seal on flange of duct, *Figure 23*. If the seal is installed improperly, the airflow through the exhaust system will be restricted which can adversely affect dryer performance.

- Disconnect wires from thermostat and heater, *Figure 25*.

NOTE: Refer to appropriate wiring diagram when rewiring thermostat and heater.

- Remove cylinder belt from idler and motor pulleys, *Figure 26*.
- Remove two screws holding motor mounting bracket to dryer base. Then pull complete assembly forward to disengage middle exhaust duct.
- Rotate the assembly **counterclockwise** 90° and slide out front of machine.
- Disconnect wires from motor switch and remove harness clip from motor bracket, *Figure 27*. Then, set motor and exhaust assembly off to the side.
- Remove screw holding bracket on exhaust duct to rear of cabinet and pull duct out of cabinet, *Figure 37*.

IMPORTANT: When reinstalling motor and exhaust assembly, be sure wire harness on right side is clipped to motor mounting bracket and is routed along dryer base (between motor mounting bracket and right side of cabinet), *Figure 24*. Tab on rear of motor mounting bracket must be slid into slot in dryer base. Be sure the belt has been installed on the correct side of the idler lever, *Figure 26*.

- Remove two screws from front edge at each side of cabinet, *Figure 33*. Then remove remaining screws from around bottom of cabinet and lift cabinet off base.
- Remove leveling legs from base and reinstall on new base, *Figure 41*.

SECTION III

Adjustments

41. LEVELING LEGS (Figure 41)

NOTE: Dryer should be installed on a solid and level floor. DO NOT install the dryer on a weak or spongy floor.

- a. Place dryer in position, adjust the legs until dryer is level.

⚠WARNING

To reduce the risk of electrical shock, fire, explosion, serious injury or death, disconnect electric power to the dryer before servicing.

NOTE: Legs can be adjusted outside the dryer by using a 1-1/4 inch size wrench, or from inside the dryer (with lower front access panel removed) by using a 1/4 inch drive ratchet with extension.

- b. Keep dryer as close to the floor as possible. All four legs must rest firmly on the floor so weight of the dryer is evenly distributed. The dryer **MUST NOT** rock.

IMPORTANT: DO NOT move the dryer at any time unless the dryer is completely assembled. DO NOT slide the dryer across the floor once the leveling legs have been extended as the legs and base could become damaged.

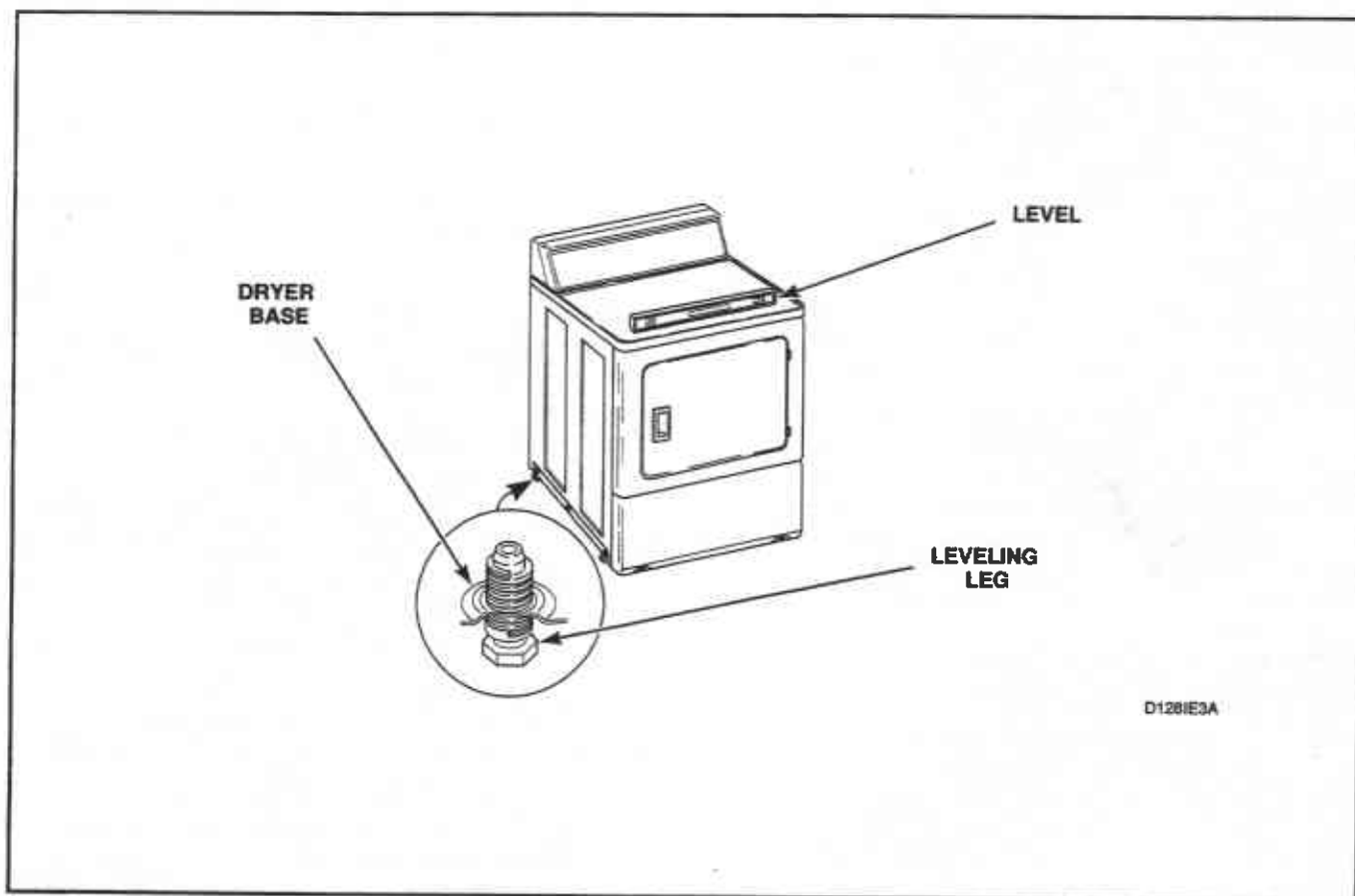


Figure 41

42. BURNER FLAME - Gas Models

- a. While supporting the lower access panel, remove two screws from bottom edge of lower access panel, *Figure 18*.
- b. Gently lower the access panel to disengage guide lugs from bottom edge of front panel.
- c. Set timer at "60" minutes on non-metered models.
- d. Close the loading door, start the dryer in a heat setting (refer to Operating Instructions supplied with the dryer); the dryer will start, the igniter will glow red and the main burner will ignite.
- e. Allot the dryer to operate for approximately five minutes, then loosen the air shutter lockscrew, *Figure 42*.
- f. Turn the air shutter to the left to get a luminous yellow tipped flame, then turn it back slowly to the right to obtain a steady blue flame.
- g. After proper flame is obtained, tighten air shutter lockscrew securely, *Figure 42*.
- h. Reinstall lower front access panel and screws.

▲WARNING

To reduce the risk of fire and severe personal injury, the access door must be in place during normal operation.

After the dryer has operated for approximately three minutes, exhaust air or exhaust pipe should be warm.

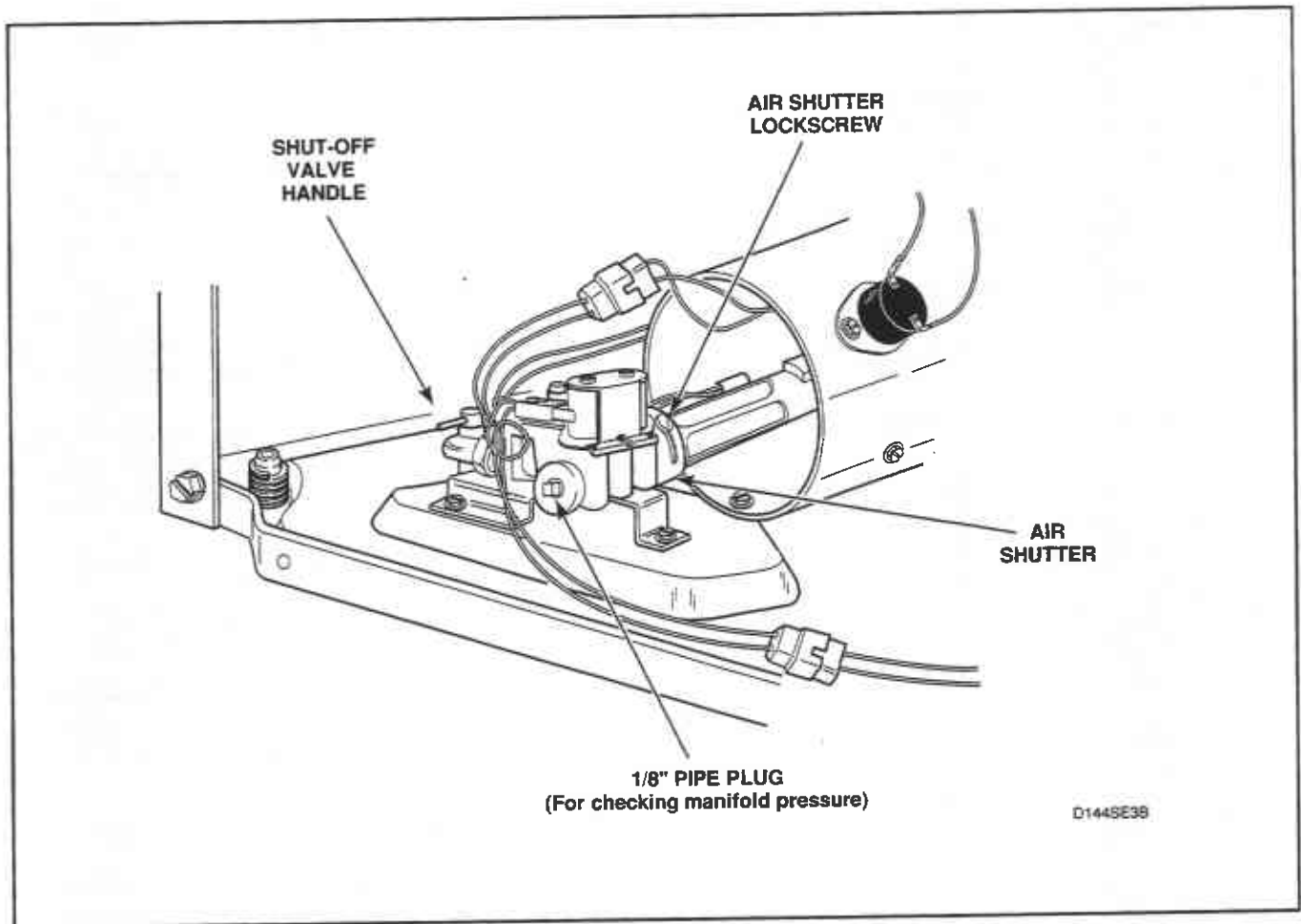


Figure 42

SECTION IV

Test Procedures

▲WARNING

To reduce the risk of electric shock, fire, explosion, serious injury or death:

- Disconnect electric power to the dryer before servicing.
- Close gas shut-off valve to gas dryer before servicing.
- Never start the dryer with any guards/panels removed.
- Whenever ground wires are removed during servicing, these ground wires must be reconnected to ensure that the dryer is properly grounded.

W001

IMPORTANT: Electrical test procedures in this service manual are performed by using a Volt-Ohm meter. Tests can also be performed using a multi-meter or any other electrical testing equipment with which the service person is familiar.

43. DRIVE MOTOR (Figure 43)

- a. Remove motor and exhaust assembly, paragraph 26.
- b. Disconnect motor wire harness at motor disconnect block.

NOTE: Refer to appropriate wiring diagram when rewiring motor switch.

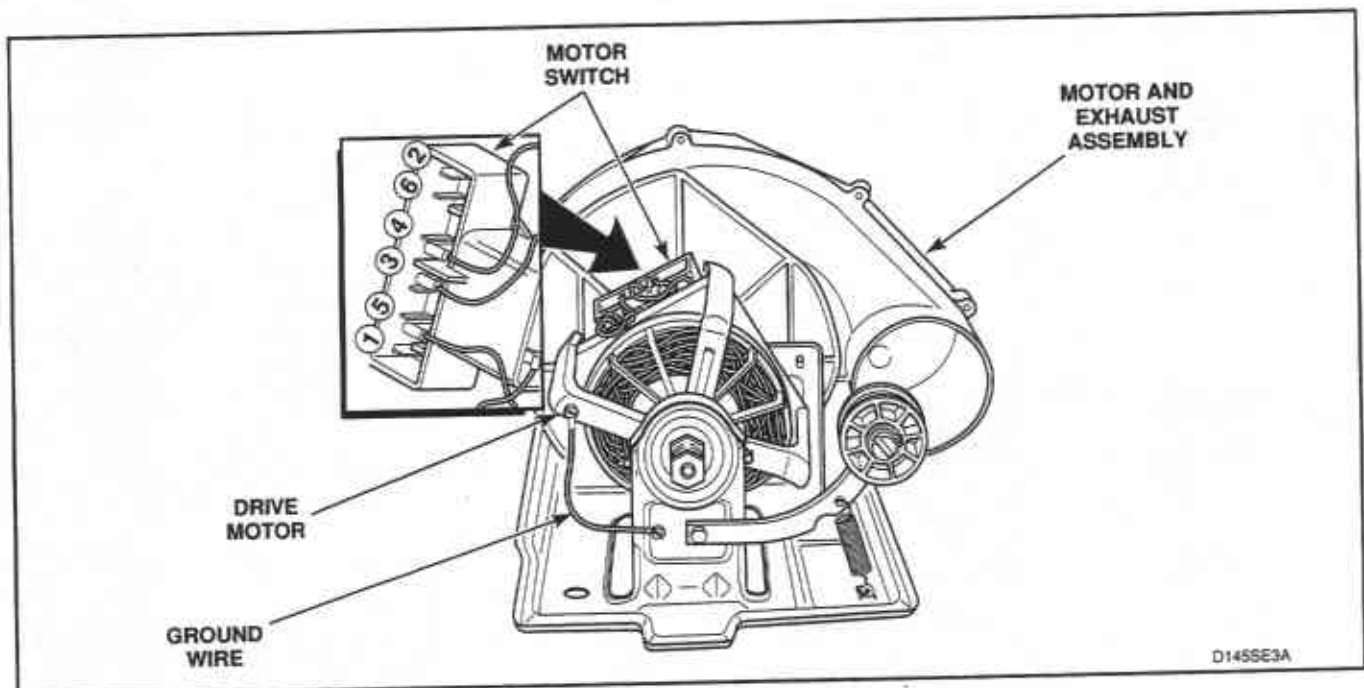


Figure 43

D14SSE3A

▲WARNING

To reduce the risk of electric shock, fire, explosion, serious injury or death:

- Disconnect electric power to the dryer before servicing.
- Close gas shut-off valve to gas dryer before servicing.
- Never start the dryer with any guards/panels removed.
- Whenever ground wires are removed during servicing, these ground wires must be reconnected to ensure that the dryer is properly grounded.

W001

c. Motor Switch (Refer to SECTION VI.)

▲WARNING

Disconnect electric power to dryer before performing any of the following steps or replacing inoperative motor switch.

Unplug the motor connector before starting this test.

START TERMINALS

NOTE: Disconnect yellow wire from motor switch before testing start terminal.

A. Continuity exists between switch terminal 5 and black wire.

NO

YES

B. Manually depress actuator. Continuity broken between switch terminal 5 and black wire.

NO

Inoperative start switch. Replace switch.

YES

RUN TERMINALS

NOTE: Reconnect yellow wire to motor switch before testing run terminals.

C. Continuity broken between switch terminal 6 and yellow wire.

NO

YES

D. Manually depress actuator. Continuity exists between switch terminal 6 and yellow wire.

NO

Inoperative start switch. Replace switch.

YES

HEATER CIRCUIT TERMINALS

E. Continuity broken between switch terminal 1 and switch terminal 2.

NO

YES

F. Manually depress actuator. Continuity exists between switch terminal 1 and switch terminal 2.

NO

Inoperative start switch. Replace switch.

YES

Motor switch checks OK.

▲WARNING

To reduce the risk of electric shock, fire, explosion, serious injury or death:

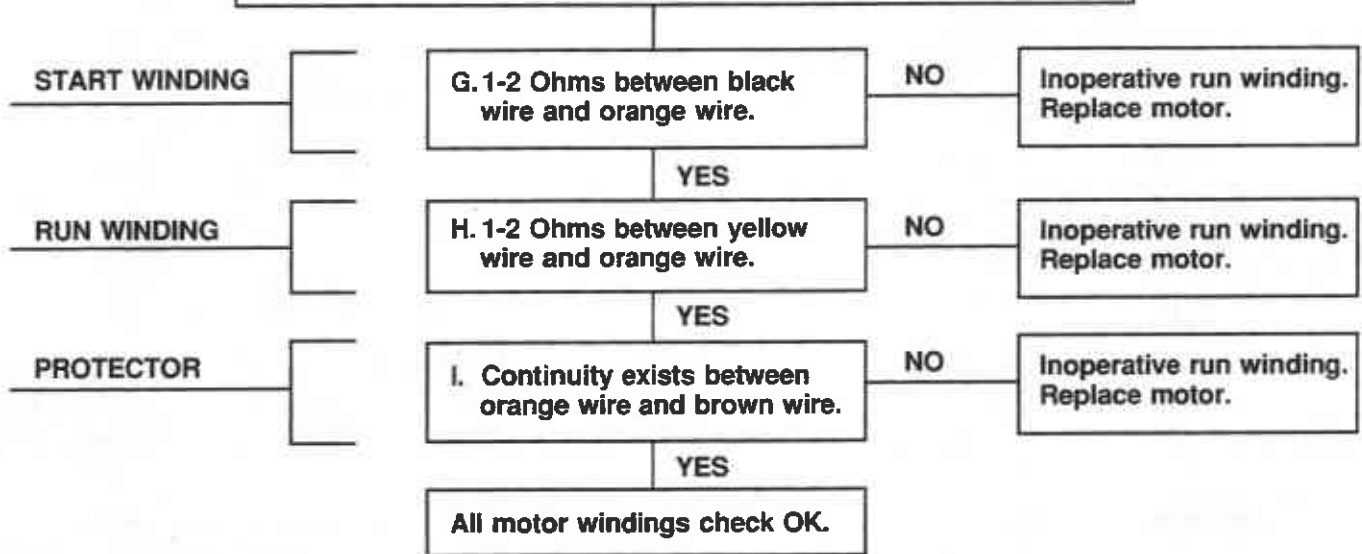
- Disconnect electric power to the dryer before servicing.
- Close gas shut-off valve to gas dryer before servicing.
- Never start the dryer with any guards/panels removed.
- Whenever ground wires are removed during servicing, these ground wires must be reconnected to ensure that the dryer is properly grounded.

W001

d. Motor Windings. (Refer to SECTION VI.)

▲WARNING

Disconnect electric power to dryer before performing any of the following steps or replacing inoperative motor.



▲WARNING

To reduce the risk of electric shock, fire, explosion, serious injury or death:

- Disconnect electric power to the dryer before servicing.
- Close gas shut-off valve to gas dryer before servicing.
- Never start the dryer with any guards/panels removed.
- Whenever ground wires are removed during servicing, these ground wires must be reconnected to ensure that the dryer is properly grounded.

W001

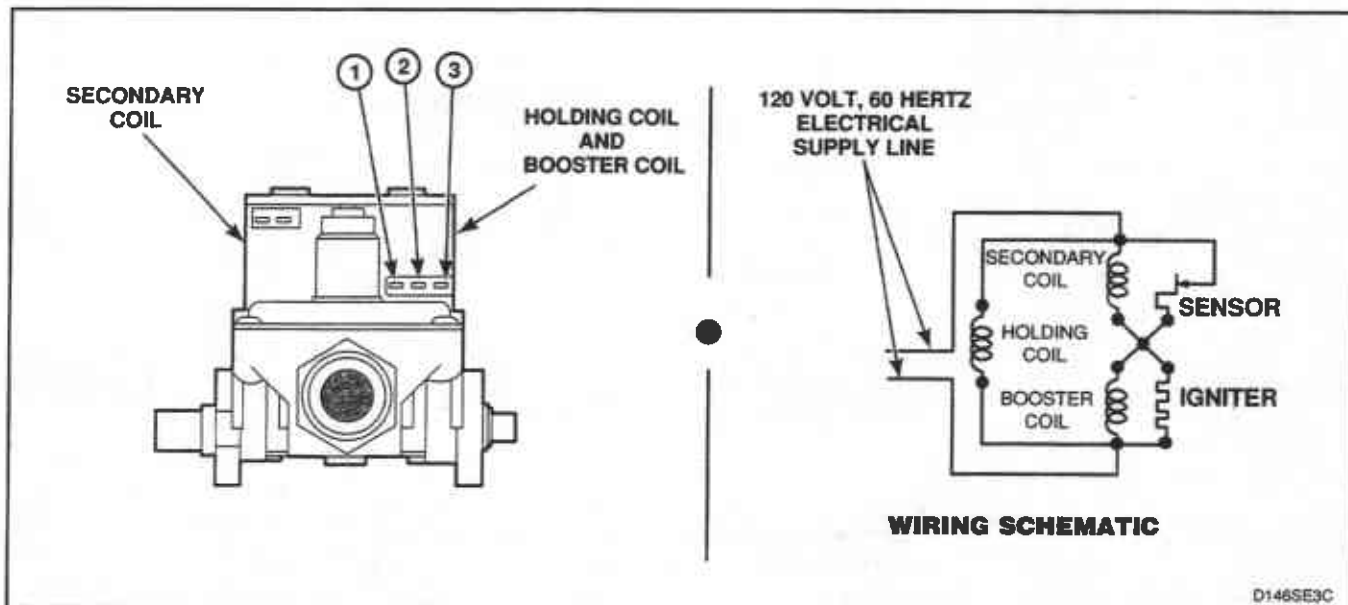


Figure 44

44. BURNER SYSTEM OPERATION (Figure 44)

Components

This burner has four basic components: A silicon carbide (glow bar) igniter, burner tube, flame sensor, and a two-stage gas valve consisting of a split-coil valve and a secondary coil valve. The split-coil valve is opened when the dryer thermostat calls for heat, while the secondary valve does not open until the igniter has attained ignition temperature.

Pre-Ignition Circuits

When the dryer thermostat calls for heat, circuits are completed through the holding coil, flame sensor, booster coil and igniter. Both coils must be energized to open split-coil valve. Once opened, the holding coil can hold the valve open without assistance from the booster coil. The current shunted around the secondary coil by the flame sensor, passes through the igniter causing it to get hot.

Burner Circuit

In approximately 30 seconds, the igniter attains ignition temperature and the flame sensor (located on burner housing beside the igniter) contacts

open. A circuit is then completed through the secondary valve coil, opening the valve and allowing gas to flow. Ignition is made and the heat from the burner flame causes the flame sensor contacts to open.

IGNITION SYSTEM FEATURES (Figure 44)

MOMENTARY POWER INTERRUPTION: Upon resumption of power, flame sensor contacts will still be open, permitting secondary valve to open. However, with the secondary coil in the circuit, the booster coil cannot draw enough current to open the split-coil valve. When flame sensor contacts do reclose, the secondary valve will close, and the burner system will be in the normal pre-ignition circuit.

FLAME FAILURE: In case of flame failure, the flame sensor contacts will reclose in about 45 seconds. This will close the secondary valve and the burner system will be in the normal pre-ignition circuit.

IGNITION FAILURE: If flame is not established as flame sensor contacts open, secondary valve will remain open until flame sensor contacts reclose. Flame sensor will continue to recycle the igniter and secondary valve (about once per minute) until ignition is made or dryer is turned off.

⚠ WARNING

To reduce the risk of electric shock, fire, explosion, serious injury or death:

- Disconnect electric power to the dryer before servicing.
- Close gas shut-off valve to gas dryer before servicing.
- Never start the dryer with any guards/panels removed.
- Whenever ground wires are removed during servicing, these ground wires must be reconnected to ensure that the dryer is properly grounded.

W001

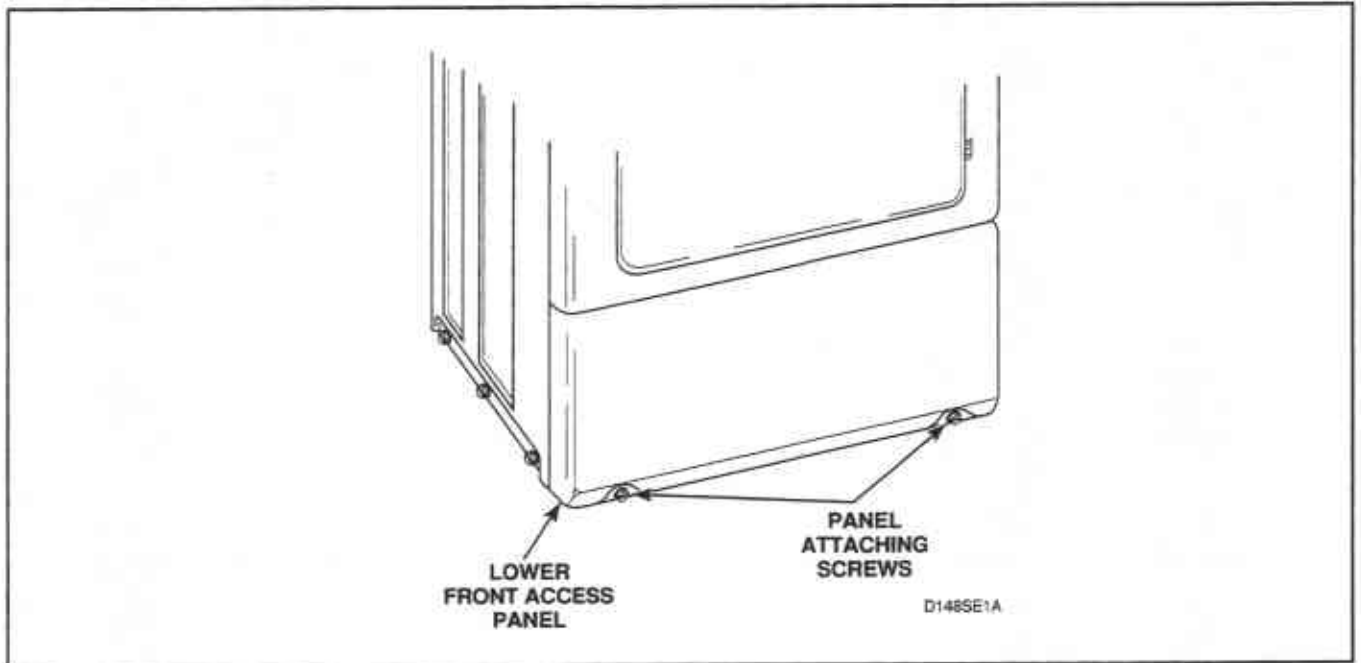


Figure 45

45. ELECTRICAL CIRCUIT TO IGNITION SYSTEM

- While supporting the lower access panel, remove two screws from bottom edge of lower access panel, *Figure 45*.
- Gently lower the access panel to disengage guide lugs from bottom edge of front panel.
- Close gas shut-off valve, *Figure 42*.
- Remove valve wire harness disconnect block from the holding and booster coil, *Figure 46*.
- Plug dryer power cord into wall receptacle, start the dryer in a heat setting (refer to the Operating Instructions supplied with dryer).
- Set test meter to read AC voltage and apply meter probes into terminals on the dryer harness that would correspond to terminals 1 and 2 on the coil, *Figure 39*. Meter should register line voltage in all Fabric settings, except FLUFF which should read "zero" VAC.
- If meter does not read line voltage in step "f", check motor switch, thermostats, fabric switch, or timer.

▲WARNING

To reduce the risk of electric shock, fire, explosion, serious injury or death:

- Disconnect electric power to the dryer before servicing.
- Close gas shut-off valve to gas dryer before servicing.
- Never start the dryer with any guards/panels removed.
- Whenever ground wires are removed during servicing, these ground wires must be reconnected to ensure that the dryer is properly grounded.

W001

TOP VIEW OF GAS VALVE

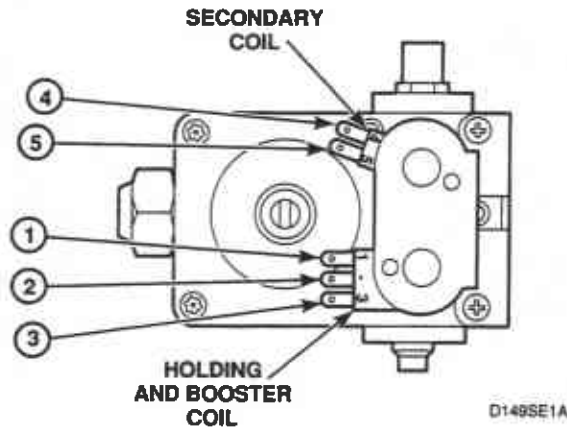


Figure 46

46. GAS VALVE COILS

▲WARNING

To reduce the risk of fire, explosion and electric shock, close the valve in the gas supply line to the gas dryer and disconnect the electrical power unless gas or power supplies are required to perform test procedure.

- While supporting the lower access panel, remove two screws from bottom edge of lower access panel, *Figure 45*.
- Gently lower the access panel to disengage guide lugs from bottom edge of front panel.
- Close gas shut-off valve, *Figure 42*.
- Remove disconnect blocks from gas valve coils.

- Set test meter to read OHMS and put meter probes to terminals as in *Figure 46*, and the chart below.

COIL TOLERANCE READINGS

60 Hertz	
Holding Coil Terminals 1 & 2	1365 ± 25 Ohms
Booster Coil Terminals 1 & 3	560 ± 25 Ohms
Secondary Coil Terminals 4 & 5	1220 ± 50 Ohms

NOTE: If meter registers any other readings than those listed above, the respective coil(s) should be replaced.

▲WARNING

To reduce the risk of electric shock, fire, explosion, serious injury or death:

- **Disconnect electric power to the dryer before servicing.**
- **Close gas shut-off valve to gas dryer before servicing.**
- **Never start the dryer with any guards/panels removed.**
- **Whenever ground wires are removed during servicing, these ground wires must be reconnected to ensure that the dryer is properly grounded.**

W001

47. SENSOR

- a. While supporting the lower access panel, remove two screws from bottom edge of lower access panel, *Figure 45*.
- b. Gently lower the access panel to disengage guide lugs from bottom edge of front panel.
- c. Close gas shut-off valve, *Figure 42*.
- d. Remove wires from sensor terminals, *Figure 46*.
- e. Set test meter to read OHMS, put meter probes on sensor terminals. Meter should read "zero" Ohms. If meter registers an Ohm reading of any amount, replace sensor.

48. IGNITER

- a. While supporting the lower access panel, remove two screws from bottom edge of lower access panel, *Figure 45*.
- b. Gently lower the access panel to disengage guide lugs from bottom edge of front panel.
- c. Disconnect igniter wires at disconnect block, *Figure 20*.
- d. Set test meter to read Ohms and put meter probes on terminals of igniter wires.
- e. Meter should read between 75 to 800 OHMS. If meter does not read between 75 to 800 OHMS, then replace the igniter.

IMPORTANT: Always examine all wires, terminals and connectors to be sure wiring is proper before replacing any components.

NOTE: Test procedures of paragraph 45, 46 and 47 can be performed on workbench if gas valve, igniter, burner tube and burner housing have been removed from dryer.

49. TEMPERATURE SWITCH

- a. Remove six screws (three on top and three at lower front) holding the hood assembly to the control hood rear panel and cabinet top, *Figures 5 and 6*.
- b. Disconnect wires from temperature switch.
- c. Set the meter to read Ohms and apply the meter probes to the switch terminals.
 1. **Three Position Heat Switch** — Follow the appropriate wiring diagram for your model dryer. See SECTION VII of this manual.
 2. **Infinite Heat Switch** — Meter should read 10 Ohms (maximum) with the switch in the DELICATE setting. Turn switch full **CLOCKWISE** direction, meter should read 10,000 Ohms (minimum).

NOTE: Refer to proper wiring diagram when reconnecting wires.

	L1 - 1	L1 - 2	L1 - 3
Perm. Press and Regular	--	X	--
Delicate	X	X	--
Fluff	--	--	X
X indicates closed			

⚠ WARNING

To reduce the risk of electric shock, fire, explosion, serious injury or death:

- **Disconnect electric power to the dryer before servicing.**
- **Close gas shut-off valve to gas dryer before servicing.**
- **Never start the dryer with any guards/panels removed.**
- **Whenever ground wires are removed during servicing, these ground wires must be reconnected to ensure that the dryer is properly grounded.**

W001

50. DOOR SWITCH

- a. While supporting the lower access panel, remove two screws from bottom edge of lower access panel, *Figure 18*.
- b. Gently lower the access panel to disengage guide lugs from bottom edge of front panel.
- c. Disconnect wires from door switch, *Figure 17*.

NOTE: Refer to appropriate wiring diagram when rewiring switch.

- d. Set meter to read Ohms and apply meter probes on switch terminals 1 and 3 with door closed. You should get "zero" reading.
- e. Apply probes to terminals 1 and 2 with door closed. The meter should read "no reading".
- f. Open door. Meter should read "zero".

51. SIGNAL CONTROL

- a. Remove six screws (three on top and three at lower front) holding the hood assembly to the control hood rear panel and cabinet top, *Figures 5 and 6*.
- b. Disconnect wires from signal control.
- c. Set meter to read Ohms and apply meter probes to terminals of signal control. Meter should read approximately 1,000 Ohms at all times.

52. TIMER ADVANCE and TIMER CONTACT POINTS (*Figure 47*)

This test will determine if the timer advances. If the timer advances then it does not need to be replaced.

Advance Test:

For models which produce an audible signal (a buzzing sound):

1. Select a cycle and activate dryer start switch.

2. Rotate timer knob to a position where the signal will activate, then release timer knob.
3. If timer is advancing, signal will end in less than 10 minutes.
4. If signal continues to sound for more than 10 minutes, replace timer.

For models which do not produce an audible signal:

1. Rotate timer knob to the 10 minute mark.
2. If timer is advancing, dryer will cycle into the cool down period and then to OFF position.

NOTE: If timer does not advance, see paragraph 7 for timer replacement.

To check timer contact points proceed as follows:

- a. Remove six screws (three on top and three at lower front) holding the hood assembly to the control hood rear panel and cabinet top, *Figures 5 and 6*.
- b. Disconnect wires from timer.

NOTE: Refer to appropriate wiring diagram when rewiring timer.

- c. Set test meter to read OHMS and apply meter probes to terminals, *Figure 48*.
- d. Starting with timer knob indicator in OFF position at top of timer, slowly turn timer knob clockwise until indicator is again pointing toward OFF position at top of timer. Meter should register "zero" reading when circuit being tested is completed by timer. Refer to *Figure 47* for Timer Cycle Chart showing when circuit is made.

Timer Motor Resistance Check

120V 60 Hz. motor resistance 2,460 - 3,100 Ohms.

WARNING

To reduce the risk of electric shock, fire, explosion, serious injury or death:

- Disconnect electric power to the dryer before servicing.
- Close gas shut-off valve to gas dryer before servicing.
- Never start the dryer with any guards/panels removed.
- Whenever ground wires are removed during servicing, these ground wires must be reconnected to ensure that the dryer is properly grounded.

W001

CIRCUIT TO BE TESTED	TIMER No. 59419	TIMER No. 59420	TIMER No. 59421	TIMER No. 501881
Timer Motor	L2 and T	--	L2 and T	L2 and T
Signal Control	P and B	P and B	P and B	--
Motor	L 1 and M	L1 and M	L1 and M	L1 and M
Heat	L2 and H	L2 and H	L2 and H	L2 and H
Push-to-Start	M and S	M and S	M and S	M and S

Figure 47

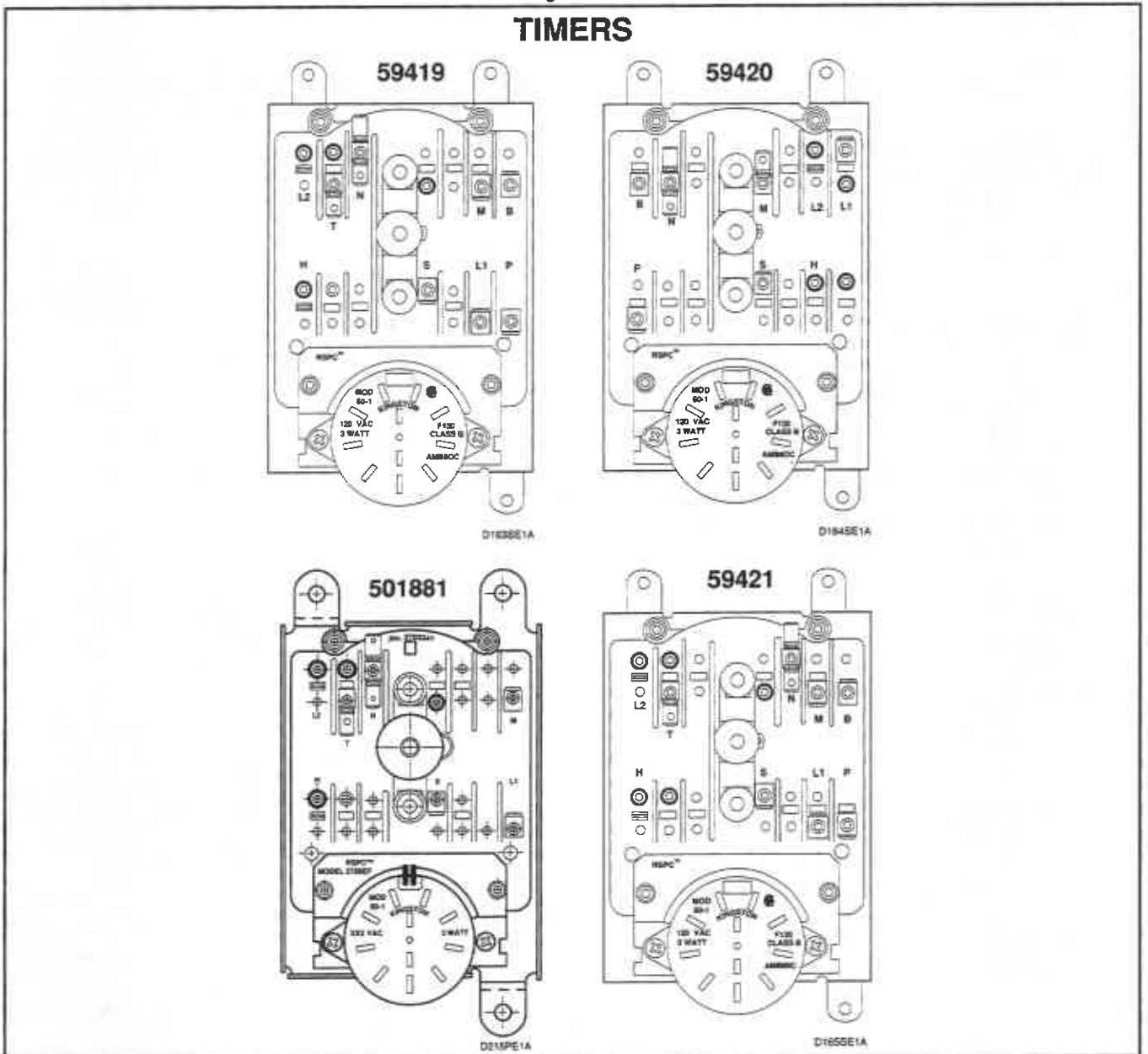


Figure 48

▲WARNING

To reduce the risk of electric shock, fire, explosion, serious injury or death:

- **Disconnect electric power to the dryer before servicing.**
- **Close gas shut-off valve to gas dryer before servicing.**
- **Never start the dryer with any guards/panels removed.**
- **Whenever ground wires are removed during servicing, these ground wires must be reconnected to ensure that the dryer is properly grounded.**

W001

53. CYCLING OR LIMIT THERMOSTAT

- a. While supporting the lower access panel, remove two screws from bottom edge of lower access panel, *Figure 45*.
- b. Gently lower the access panel to disengage guide lugs from bottom edge of front panel.
- c. Disconnect wires from thermostat, *Figure 22* or *23*.

NOTE: Refer to appropriate wiring diagram when rewiring thermostat.

Cycling Thermostat (S.P.S.T.) or Limit Thermostat

- (1) Set meter to read OHMS.
- (2) Apply meter probes to the thermostat terminals.
- (3) Meter should read "zero".

Cycling Thermostat (S.P.D.T.)

- (1) Set meter to read OHMS.
- (2) Apply meter probes to terminals 1 and 3. Meter should read "zero".
- (3) Remove screws holding thermostat to exhaust fan cover.
- (4) Heat thermostat with a small flame until a distinct "click" is heard, then immediately apply meter probes to terminals 1 and 2. Meter should read "zero".

54. THERMOSTAT HEATER

- a. While supporting the lower access panel, remove two screws from bottom edge of lower access panel, *Figure 45*.
- b. Gently lower the access panel to disengage guide lugs from bottom edge of front panel.
- c. Disconnect wires from thermostat/heater, *Figure 23*.

NOTE: Refer to appropriate wiring diagram when rewiring thermostat heater.

- d. Set meter to read OHMS. Apply meter probes to the thermostat heater terminals. Meter should read as follows: (Cold Ohms)

120 Volt 60 Hz. 2400 ± 240 Ohms.

▲WARNING

To reduce the risk of electric shock, fire, explosion, serious injury or death:

- **Disconnect electric power to the dryer before servicing.**
- **Close gas shut-off valve to gas dryer before servicing.**
- **Never start the dryer with any guards/panels removed.**
- **Whenever ground wires are removed during servicing, these ground wires must be reconnected to ensure that the dryer is properly grounded.**

W001

55. THERMAL FUSE (Electric Models)

- While supporting the lower access panel, remove two screws from bottom edge of lower access panel, *Figure 45*.
- Gently lower the access panel to disengage guide lugs from bottom edge of front panel.
- Disconnect wires from thermal fuse, *Figure 22*.

NOTE: Refer to appropriate wiring diagram when rewiring thermal fuse.

- Set multimeter to read OHMS on the X1 scale. Apply meter probes to the thermal fuse terminals. Multimeter should read 0 OHMS. If the meter does not show any reading (infinite OHMS), then the fuse is open. If the fuse is open, then replace BOTH the thermal fuse and the limit thermostat.

- Gently lower the access panel to disengage guide lugs from bottom edge of front panel.
- Disconnect wire from heater assembly, *Figure 22*.

NOTE: Refer to appropriate wiring diagram when rewiring heater assembly.

- Set meter to read OHMS. Apply meter probes to the heater assembly terminals. Meter should read as follows: (Cold Ohms)

Color	Voltage/Hz.	Resistance Reading
Red	240 V 60 Hz.	10.39 ± .31 Ohms cold
White	208 V 60 Hz.	8.2 ± .5 Ohms Cold

56. HEATER ASSEMBLY (Electric Models)

- While supporting the lower access panel, remove two screws from bottom edge of lower access panel, *Figure 45*.

SECTION V

Service Helps

▲WARNING

To reduce the risk of electric shock, fire, explosion, serious injury or death:

- **Disconnect electric power to the dryer before servicing.**
- **Close gas shut-off valve to gas dryer before servicing.**
- **Never start the dryer with any guards/panels removed.**
- **Whenever ground wires are removed during servicing, these ground wires must be reconnected to ensure that the dryer is properly grounded.**

W001

IMPORTANT: Refer to appropriate Wiring Diagram for aid in testing dryer components.

57. MOTOR DOES NOT RUN

POSSIBLE CAUSE	TO CORRECT
Electrical power off, fuse blown, or power cord not plugged in.	Has the laundry room fuse(s) blown or become loosened, or are circuit breakers open? The dryer itself does not have an electrical fuse. Be sure to check both fuses on Electric models.
Loading door not closed or inoperative door switch.	Close door or test switch and replace if inoperative.
Timer improperly set.	Reset timer, or try another cycle.
Inoperative timer.	Test timer and replace if inoperative.
Motor starting functions inoperative. No Start; or Motor hums only.	Refer to MOTOR TEST SECTION to check start switch and start windings.
Motor is dead, won't run.	Refer to MOTOR TEST SECTION to check start switch and start windings.
Motor overload protector has cycled.	Wait two or three minutes for overload protector to reset. If protector cycles repeatedly, refer to <i>paragraph 58</i> .
Motor centrifugal switch sticky or plugged with lint.	Remove dust or lint and spray with "SLYDE", No. 131P4, to clean and lubricate.
Bind in upper or lower motor bearing.	Remove belts and determine if motor shaft will spin. Replace motor if shaft is locked up.
Broken, loose, or incorrect wiring.	Refer to appropriate wiring diagram.
Power cord is miswired.	Refer to appropriate wiring diagram for the correct wiring.
Loose motor wire harness connection block.	Firmly press connection blocks onto motor switch.

▲WARNING

To reduce the risk of electric shock, fire, explosion, serious injury or death:

- Disconnect electric power to the dryer before servicing.
- Close gas shut-off valve to gas dryer before servicing.
- Never start the dryer with any guards/panels removed.
- Whenever ground wires are removed during servicing, these ground wires must be reconnected to ensure that the dryer is properly grounded.

W001

58. UNIT STOPS IN CYCLE; QUILTS AFTER A COUPLE LOADS; HAS A BURNING SMELL; CYCLES ON MOTOR THERMAL PROTECTOR.

POSSIBLE CAUSE	TO CORRECT
Incorrect Voltage.	See nameplate in door well for correct voltage. Refer to INSTALLATION INSTRUCTIONS (supplied with dryer) for electrical requirements.
Clothes load too large.	Remove part of load. A normal washer load is a normal dryer load. Maximum load: Dryer cylinder one half full of wet clothes.
Clothes cylinder is binding.	Check cylinder for binding and "out of round" condition. Also check front and rear bulkheads for warping. Check support rollers for binding. Check cylinder seals and glides for wear or damage. Check for clothes lodged between cylinder baffle and bulkhead.
Broken, loose or incorrect wiring.	Refer to appropriate wiring diagram.
Motor switch functions inoperative. Short in motor winding.	Refer to MOTOR TEST SECTION to check switch and windings.

59. MOTOR RUNS BUT CYLINDER DOES NOT TURN

POSSIBLE CAUSE	TO CORRECT
Motor drive pulley loose.	Tighten pulley.
Belt not installed on pulley.	Install belt, <i>Figure 26</i> .
Broken cylinder belt.	Replace belt.
Clothes cylinder is binding.	Check cylinder for binding and "out of round" condition. Also check front and rear bulkheads for warping. Check cylinder rollers for binding. Check cylinder seals and glides for wear or damage.
Broken or disconnected idler lever spring.	Replace or reconnect spring, <i>Figure 26</i> .

60. MOTOR DOES NOT STOP

POSSIBLE CAUSE	TO CORRECT
Incorrect wiring to motor switch.	Refer to appropriate wiring diagram.
Motor centrifugal switch sticky or plugged with lint.	Remove dust or lint and spray with "SLYDE", No. 131P4, to clean and lubricate.
Inoperative door switch.	Test switch and replace if inoperative.
*Inoperative timer — nonmetered models.	Test timer and replace if inoperative.

▲WARNING

To reduce the risk of electric shock, fire, explosion, serious injury or death:

- **Disconnect electric power to the dryer before servicing.**
- **Close gas shut-off valve to gas dryer before servicing.**
- **Never start the dryer with any guards/panels removed.**
- **Whenever ground wires are removed during servicing, these ground wires must be reconnected to ensure that the dryer is properly grounded.**

W001

61. HEATING ASSEMBLY DOES NOT HEAT OR BURNER DOES NOT IGNITE.

POSSIBLE CAUSE	TO CORRECT
Blown house fuse or tripped circuit breaker.	Check fuses or circuit breakers. A 240 Volt dryer has two fuses — Make sure both fuses are good.
*Temperature selector switch set at FLUFF, or inoperative.	Reset switch, or test switch and replace if inoperative.
*Timer improperly set (Set in a cool-down period, or a no heat cycle).	Reset timer. Try another cycle.
Inoperative limit thermostat.	Test thermostat and replace if inoperative.
Electric Models: Inoperative heater assembly.	Test heater assembly. Replace heater assembly if cold Ohms do not read between 8 and 10.5 Ohms.
Gas Models: Insufficient gas supply.	Check gas shut-off valve in dryer and main gas line valve. Open partially closed gas shut-off valve, or correct low gas pressure.
Inoperative drive motor switch.	Test switch and replace if inoperative.
Gas Models: Inoperative gas valve coils.	Test coils and replace if inoperative, refer to <i>paragraph 46</i> .
Gas Models: Inoperative flame sensor.	Test flame sensor and replace if inoperative. Refer to <i>paragraph 47</i> .
Gas Models: Inoperative igniter.	Test igniter and replace if inoperative. Refer to <i>paragraph 48</i> .
Electric Models: Inoperative thermal fuse.	Test thermal fuse and replace if inoperative.
*Inoperative cycling thermostat.	Test thermostat and replace if inoperative.
*Inoperative timer.	Test timer and replace if inoperative.
Broken, loose, or incorrect wiring.	Refer to appropriate wiring diagram.

▲WARNING

To reduce the risk of electric shock, fire, explosion, serious injury or death:

- **Disconnect electric power to the dryer before servicing.**
- **Close gas shut-off valve to gas dryer before servicing.**
- **Never start the dryer with any guards/panels removed.**
- **Whenever ground wires are removed during servicing, these ground wires must be reconnected to ensure that the dryer is properly grounded.**

WD01

62. IGNITER DOES NOT GLOW (gas supply sufficient) — GAS MODELS

POSSIBLE CAUSE	TO CORRECT
*No power to power leads on valve.	Check timer, selector switch, thermostats, motor switch, and wiring.
Flame sensor failed with contacts open.	Replace flame sensor.
Igniter broken or open.	Replace igniter.

63. BURNER IGNITES AND GOES OUT REPEATEDLY — GAS MODELS

POSSIBLE CAUSE	TO CORRECT
Improper or inadequate exhaust system. Weather hood flapper restricted.	See INSTALLATION INSTRUCTIONS (supplied with dryer) for exhaust requirements.
Burner heat not holding flame sensor contacts open.	Replace flame sensor, or correct gas supply problem.
Insufficient gas supply.	Check gas supply and pressure. Is gas shut-off valve turned on?
Cracked igniter.	Replace igniter and bracket.
Inoperative or intermittent gas valve coils.	Check and replace appropriate coil. Refer to <i>paragraph 46</i> .

64. IGNITER GLOWS BUT BURNER DOES NOT IGNITE — GAS MODELS

POSSIBLE CAUSE	TO CORRECT
Flame sensor failed in closed position.	Replace flame sensor.
Open secondary coil or holding coil.	Replace gas valve (in-warranty), or replace coils (out-of-warranty). Refer to <i>paragraph 46</i> .
Insufficient gas supply.	Check gas supply and pressure. Is gas shut-off valve turned on?
Igniter and bracket installed improperly on burner tube assembly.	Loosen screw and properly position igniter and bracket on burner tube assembly.
Flame sensor installed improperly on burner housing.	Loosen screw and properly position the flame sensor on the burner housing.

▲WARNING

To reduce the risk of electric shock, fire, explosion, serious injury or death:

- **Disconnect electric power to the dryer before servicing.**
- **Close gas shut-off valve to gas dryer before servicing.**
- **Never start the dryer with any guards/panels removed.**
- **Whenever ground wires are removed during servicing, these ground wires must be reconnected to ensure that the dryer is properly grounded.**

W001

65. HEATER ASSEMBLY OR BURNER SHUTS OFF PREMATURELY

POSSIBLE CAUSE	TO CORRECT
Improper or inadequate exhaust system. Weather hood flapper restricted.	See INSTALLATION INSTRUCTIONS (supplied with dryer) for exhaust requirements.
Gas Models: Insufficient gas supply.	Check gas shut-off valve in dryer and main gas line valve. Open partially closed gas shut-off valve, or correct low pressure.
Gas Models: Dryer not properly equipped for type of gas used.	Refer to "Gas Burner Conversion Procedures" supplied in gas burner conversion kit.
Gas Models: Improperly adjusted burner flame.	Adjust flame, <i>paragraph 42</i> .
Cycling off on limit thermostat.	Momentarily connect a jumper wire across thermostat terminals. If heater element heats or burner ignites when jumper wire is connected, refer to <i>paragraph 64</i> .
Gas models: Flame sensor contact closing prematurely. Burner flame improperly adjusted.	Replace flame sensor or adjust burner flame, <i>paragraph 42</i> .
*Inoperative cycling thermostat.	Test thermostat and replace if inoperative.
*Inoperative timer.	Test timer and replace if inoperative.
Broken, loose, or incorrect wiring.	Refer to appropriate wiring diagram.

66. HEATER ASSEMBLY OR BURNER REPEATEDLY CYCLES OFF ON LIMIT THERMOSTAT

POSSIBLE CAUSE	TO CORRECT
External exhaust system longer or providing greater restriction than recommended.	Refer to INSTALLATION INSTRUCTIONS (supplied with dryer) for exhaust system requirements.
Use of plastic or thin foil exhaust duct.	Replace with solid or rigid flexible metal exhaust duct.
Clogged lint filter.	Clean lint filter.
Lint in internal dryer ductwork.	Disassemble dryer ductwork and clean.
Lint or other obstruction in external exhaust system.	Disassemble and clean exhaust system.
Hinged damper on exhaust system weather hood not free to open.	Free hinged damper or replace weather hood.
*Limit thermostat cycling at too low a temperature.	Replace thermostat, <i>paragraph 22</i> .
Air leak around loading door. (Door not sealing due to damaged seal or inoperative door catch.)	Replace seal or catch.
Air leak at blower seal.	Check and replace seal if necessary.

▲WARNING

To reduce the risk of electric shock, fire, explosion, serious injury or death:

- **Disconnect electric power to the dryer before servicing.**
- **Close gas shut-off valve to gas dryer before servicing.**
- **Never start the dryer with any guards/panels removed.**
- **Whenever ground wires are removed during servicing, these ground wires must be reconnected to ensure that the dryer is properly grounded.**

W001

67. HEATER ASSEMBLY OR BURNER DOES NOT SHUT OFF

POSSIBLE CAUSE	TO CORRECT
Improper motor switch. (Timer must be in a heat setting.)	Test switch and replace if inoperative.
Motor does not stop.	Refer to <i>paragraph 60</i> .
Incorrect wiring.	Refer to appropriate wiring diagram.
Heater assembly shorted.	Remove heater assembly and check for short.

68. CLOTHES DO NOT DRY

POSSIBLE CAUSE	TO CORRECT
Heater assembly does not heat or burner does not ignite.	Refer to <i>paragraph 61</i> .
Too much water in articles being dried.	Remove excess water.
Clothes load too large.	Remove part of load. A normal washer load is normal dryer load. Maximum load: Dryer cylinder one half full of wet clothes.
Excessive lint on lint filter.	Clean lint filter.
Load too small.	Add one or two bath towels to load.
Automatic cycle.	Adjust to more dry setting.
Three position heat selector switch on timer set on FLUFF or inoperative.	Reset switch or timer, or test and replace the switch or timer if inoperative.
Improper or inadequate exhaust system.	See INSTALLATION INSTRUCTIONS (supplied with dryer) for exhaust requirements.
Heater assembly or burner shuts off prematurely.	Refer to <i>paragraph 65</i> .
Gas Models: Gas line pressure too high or too low.	If Natural Gas line pressure to dryer exceeds 8 inch water column pressure, or is lower than 4 inch water column, ask Gas Company to correct.
Improper belt installation (Low RPM) if belt connected on motor shaft.	Check for proper installation, <i>Figure 26</i> .

AWARNING

To reduce the risk of electric shock, fire, explosion, serious injury or death:

- **Disconnect electric power to the dryer before servicing.**
- **Close gas shut-off valve to gas dryer before servicing.**
- **Never start the dryer with any guards/panels removed.**
- **Whenever ground wires are removed during servicing, these ground wires must be reconnected to ensure that the dryer is properly grounded.**

W001.

69. TIMER DOES NOT ADVANCE IN AUTOMATIC CYCLE (Mechanical Timer Models Only)

POSSIBLE CAUSE	TO CORRECT
Inoperative high or low thermostat	Test thermostat and replace if inoperative.
Heater assembly does not heat or burner does not ignite.	Refer to <i>paragraph 61</i> .
Heater assembly or burner cycles off prematurely.	Refer to <i>paragraph 65</i> .
Improper or inadequate exhaust system.	Refer to INSTALLATION INSTRUCTIONS (supplied with dryer) for exhaust requirements.
*Drying large load.	Timer will not advance until the load is almost dry.
Broken, loose or incorrect wiring.	Refer to appropriate wiring diagram.
Timer motor is inoperative.	Select a drying cycle and activate start switch. Rotate timer knob until signal sounds. Release timer knob, signal should stop within ten minutes. If not, replace timer. Refer to <i>paragraph 52</i> .

70. CLOTHES ARE TOO HOT WHEN REMOVED FROM DRYER

POSSIBLE CAUSE	TO CORRECT
Improper or inadequate exhaust system.	Refer to INSTALLATION INSTRUCTIONS (supplied with dryer) for exhaust requirements.
Clothes are removed from dryer before cycle has completed.	Allow the dryer to complete the cycle through the cool-down to the OFF position.
Inoperative cycling thermostat. Inoperative thermostat heater on the DELICATE setting.	Test cycling thermostat or thermostat heater and replace if inoperative.
Inoperative timer (not allowing cool-down).	Test timer and replace if inoperative.
Inoperative seals.	Check and replace any inoperative seals in the following areas: <ol style="list-style-type: none"> 1. Seal between loading door and front panel. 2. Seal between front panel and front bulkhead. 3. Seal between blower cover and air duct. 4. Seal between cylinder and rear bulkhead.

SECTION VI

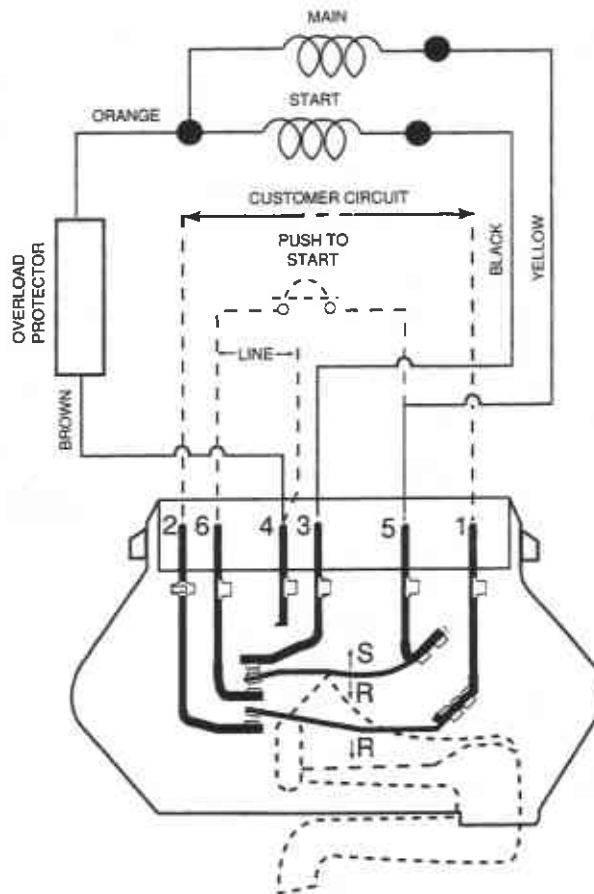
Internal Wiring of Dryer Motor Switch

▲WARNING

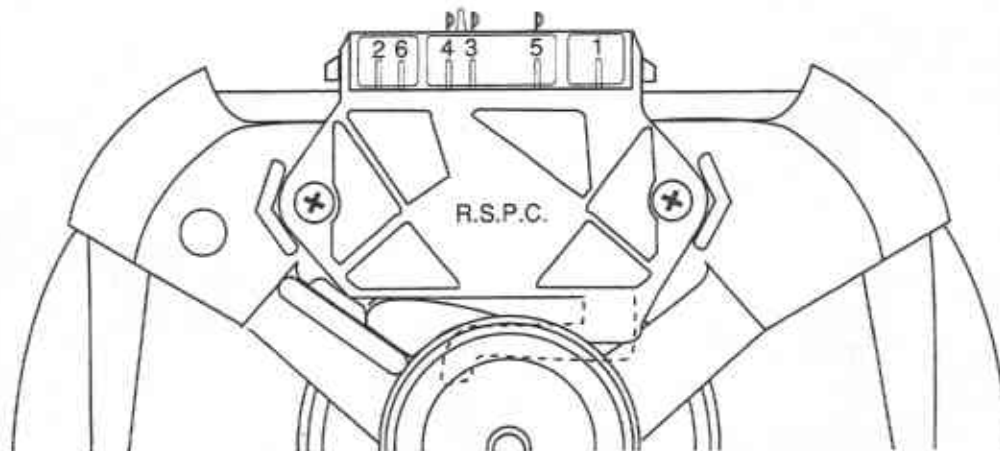
To reduce the risk of electric shock, fire, explosion, serious injury or death:

- Disconnect electric power to the dryer before servicing.
- Close gas shut-off valve to gas dryer before servicing.
- Never start the dryer with any guards/panels removed.
- Whenever ground wires are removed during servicing, these ground wires must be reconnected to ensure that the dryer is properly grounded.

W001



SWITCH SHOWN IN START POSITION



DR166-SV

SECTION VII

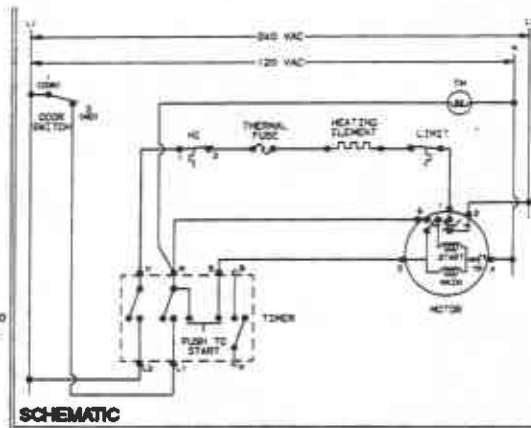
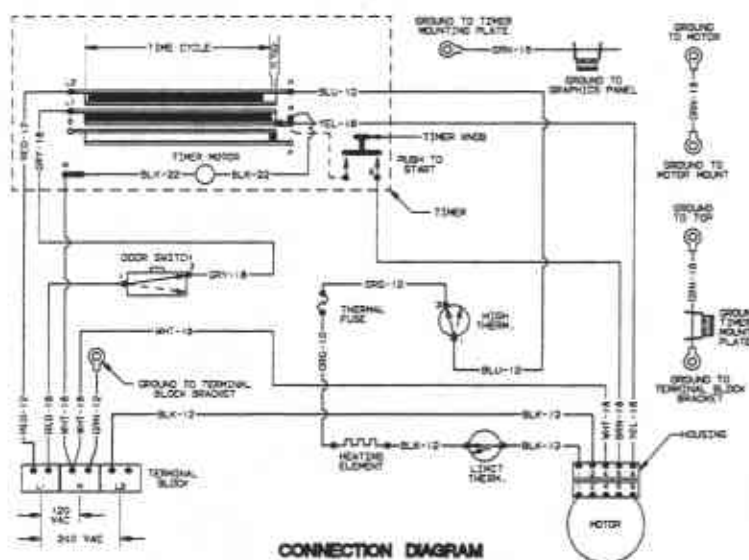
Wiring Diagrams

WARNING

To reduce the risk of electric shock, fire, explosion, serious injury or death:

- Disconnect electric power to the dryer before servicing.
- Close gas shut-off valve to gas dryer before servicing.
- Never start the dryer with any guards/panels removed.
- Whenever ground wires are removed during servicing, these ground wires must be reconnected to ensure that the dryer is properly grounded.

W001

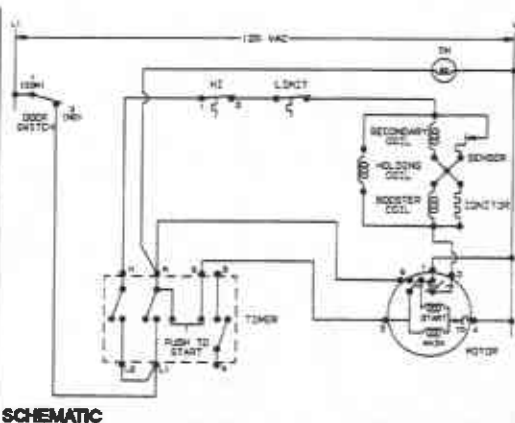
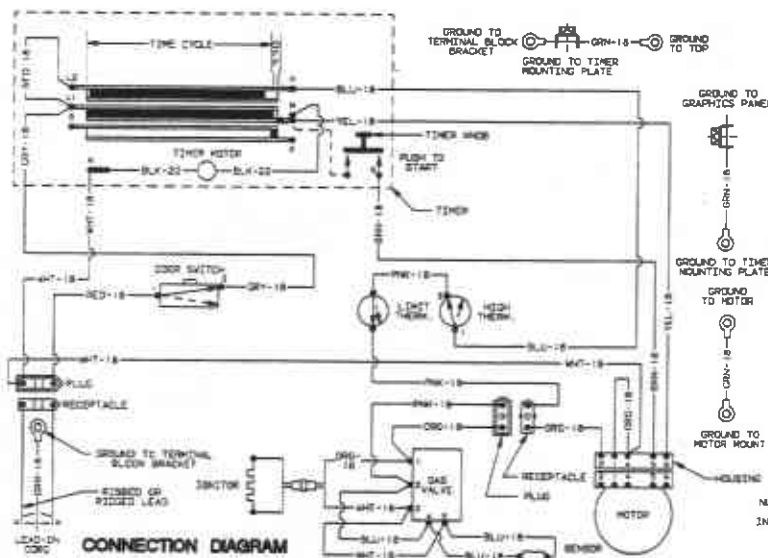


WARNING

THIS MACHINE MANUFACTURED UNDER ONE OR MORE OF THE FOLLOWING PATENTS:
 UNITED STATES NO. 5,113,652
 CANADIAN NO. OTHER PATENTS PENDING

NUMERALS FOLLOWING COLOR MARKINGS INDICATE WIRE GAUGE

Models AEM197, AEM397 and AEM377



WARNING

THIS MACHINE MANUFACTURED UNDER ONE OR MORE OF THE FOLLOWING PATENTS:
 UNITED STATES NO. 3,263,874
 5,113,652
 CANADIAN NO. OTHER PATENTS PENDING

NUMERALS FOLLOWING COLOR MARKINGS INDICATE WIRE GAUGE

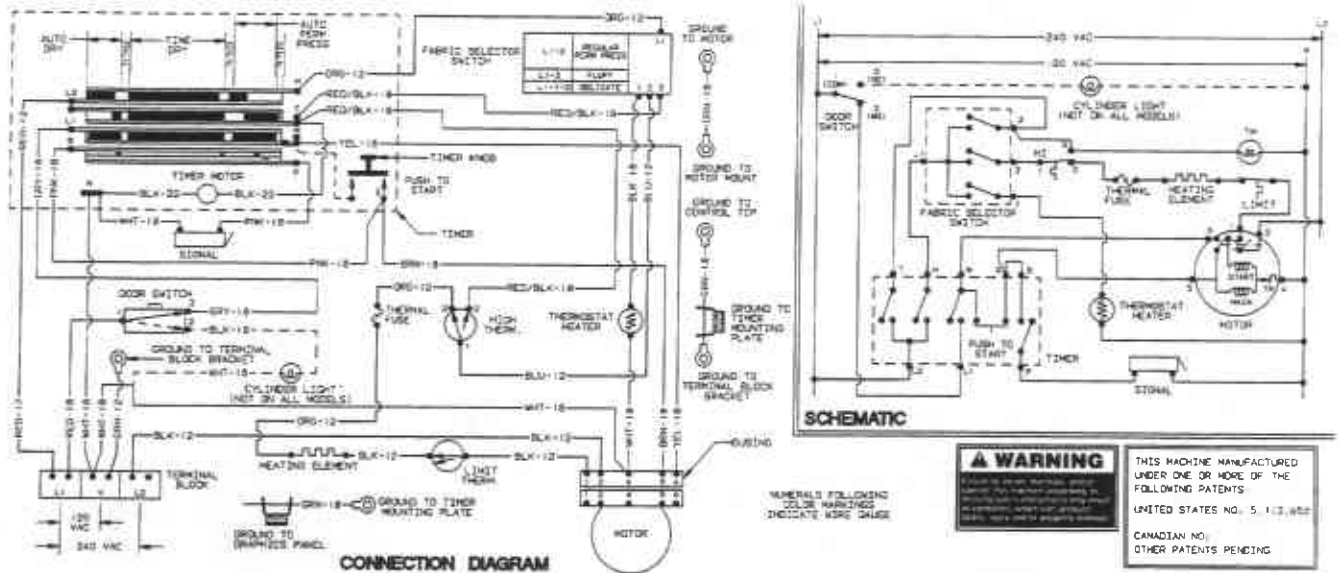
Models AGM199, AGM399, and AGM397

WARNING

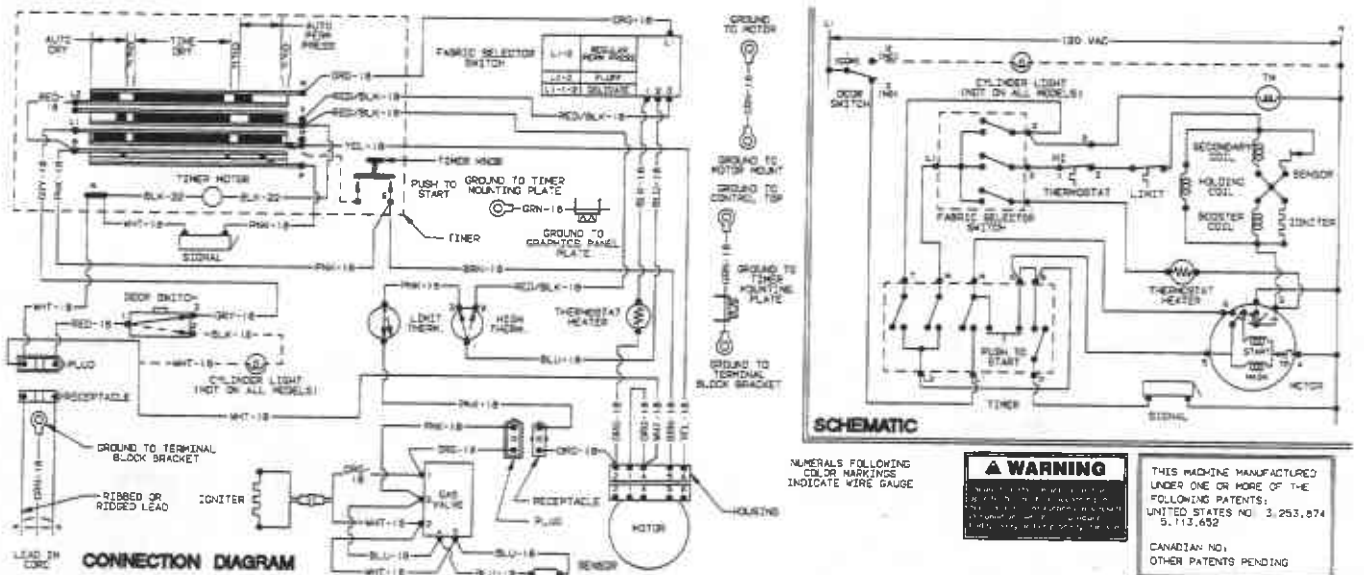
To reduce the risk of electric shock, fire, explosion, serious injury or death:

- Disconnect electric power to the dryer before servicing.
- Close gas shut-off valve to gas dryer before servicing.
- Never start the dryer with any guards/panels removed.
- Whenever ground wires are removed during servicing, these ground wires must be reconnected to ensure that the dryer is properly grounded.

W001



Models AEM497 and AEM477



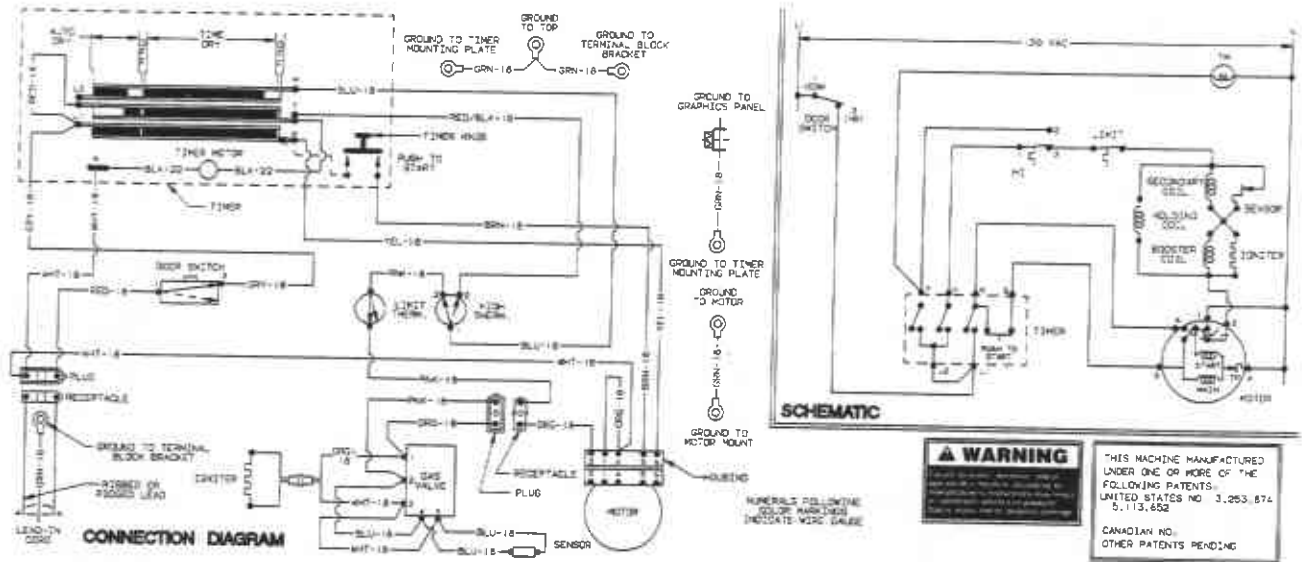
Models AGM499 and AGM479

WARNING

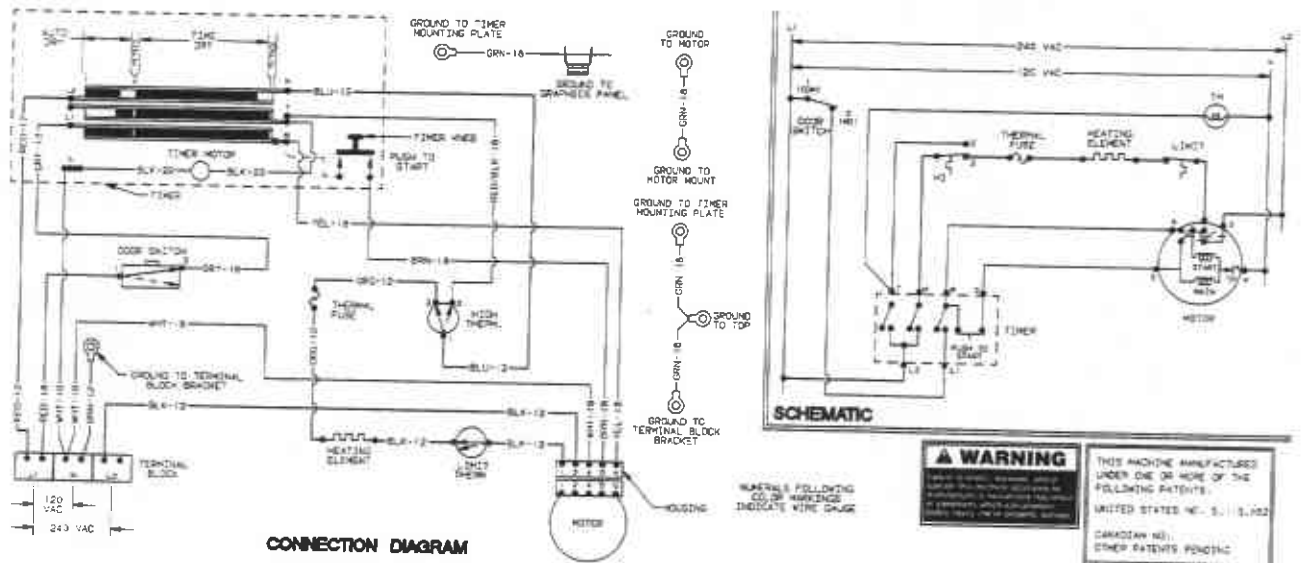
To reduce the risk of electric shock, fire, explosion, serious injury or death:

- Disconnect electric power to the dryer before servicing.
- Close gas shut-off valve to gas dryer before servicing.
- Never start the dryer with any guards/panels removed.
- Whenever ground wires are removed during servicing, these ground wires must be reconnected to ensure that the dryer is properly grounded.

W001



Models AGM409 and AGM429



Models AEM407 and AEM427

