

# Washer-Extractor

Refer to Page 5 for Model Numbers





# Table of Contents

Title	Page
Parts Ordering Information.....	3
Nameplate Location.....	3
Model Identification.....	5
Washer-Extractor Product Overview.....	6
Frame.....	8
Bearing Housing.....	10
Shell and Basket.....	12
Basket, Pulley and Belt.....	14
Motor with Built-In Tightening Bracket - Models without Inverter Drive.....	16
Motor - Models without Inverter Drive.....	18
Motor - Models with Inverter Drive.....	20
Drain Plumbing.....	22
Drain Valve.....	24
Door Lock - Models Through 1997.....	26
Door Lock - Models Starting 1998.....	28
Door.....	30
Door Handle (Drawing 1 of 2).....	32
Door Handle (Drawing 2 of 2).....	34
Control Panel - Micro-20.....	36
Control Panel - Sigma.....	38
Control Panel - PS40F.....	40
Control Panel - PS40.....	42
Control Panel - PC30.....	44
Control Panel - 10-Button Mechanical Timer.....	46
Control Panel - 5-Button Mechanical Timer.....	48
Electrical Component Mounting Plate - Micro 20 with Inverter Drive.....	50
Electrical Component Mounting Plate - Micro 20 without Inverter Drive.....	52
Electrical Component Mounting Plate - Mechanical Timer.....	54
Electrical Component Mounting Plate - PC30, PS40 and PS40F.....	56
Coin Vault.....	58
Coin Meter (Drawing 1 of 2).....	60
Coin Meter (Drawing 2 of 2).....	62
Right Side, Front, Lower Rear and Top Panels.....	64
Left Side, Lower Front and Upper Back Panels.....	66
Upper Back Panel (Drawing 1 of 2).....	68
Upper Back Panel (Drawing 2 of 2).....	70
Inverter Drive.....	72
Supply Dispenser - Models Through 12/31/92 with 1.5 Inch Supply Dispenser Hose.....	74
Supply Dispenser - *Models Through 12/31/92 with 4 Inch Supply Dispenser Hose.....	76
Supply Dispenser - Models Starting 1/1/93.....	78
Micro 20 Control Panel Decal (Drawing 1 of 5).....	80

© Copyright 2011, Alliance Laundry Systems LLC

All rights reserved. No part of the contents of this book may be reproduced or transmitted in any form or by any means without the expressed written consent of the publisher.

Micro 20 Control Panel Decal (Drawing 2 of 5).....	82
Micro 20 Control Panel Decal (Drawing 3 of 5).....	84
Micro 20 Control Panel Decal (Drawing 4 of 5).....	86
Micro 20 Control Panel Decal (Drawing 5 of 5).....	88
Mechanical Timer Control Panel Decal (Drawing 1 of 2) .....	90
Mechanical Timer Control Panel Decal (Drawing 2 of 2) .....	92
Electric and Steam Heating .....	94
Soap Pump - Knight.....	96
Soap Pump - Brightwell .....	98
Parts Index.....	101

## Parts Ordering Information

If literature or replacement parts are required, contact the source from whom the machine was purchased or contact Alliance Laundry Systems at (920) 748-3950 for the name and address of the nearest authorized parts distributor.

For technical assistance, call either of the numbers listed below:

(920) 748-3121 Ripon, Wisconsin

+32 56 41 20 54 Wevelgem, Belgium

## Nameplate Location

When calling or writing about your product, be sure to mention model and serial numbers. Model and serial numbers are located on nameplate(s) as shown.



## Model Identification

Information in this manual is applicable to these washer-extractor models:

CWE050AN2	IWE050AN2	WE234_CAM-TIMER
CWE050ANM	IWE050ANM	WE234_MICRO-20
CWE050MC2	IWE050MC2	WE234_PC30
CWE050MCM	IWE050MCM	WE234_PS40
CWE050MD2	IWE050MD2	WE234_PS40F
CWE050MDM	IWE050MDM	WE234_SIGMA
CWE050ME2	IWE050ME2	
CWE050MEM	IWE050MEM	
CWE050ML2	IWE050ML2	
CWE050MLM	IWE050MLM	
CWE050MN2	IWE050MN2	
CWE050MNM	IWE050MNM	
CWE050MX2	IWE050MX2	
CWE050MXM	IWE050MXM	
CWE050MY2	IWE050MY2	
CWE050MYM	IWE050MYM	
CWE234AN2	IWE050SC2	
CWE234MC2	IWE050SCM	
CWE234MD2	IWE050SD2	
CWE234ME2	IWE050SDM	
CWE234ML2	IWE050SE2	
CWE234MN2	IWE050SEM	
CWE234MX2	IWE050SL2	
CWE234MY2	IWE050SLM	
	IWE050SR2	
	IWE050SRM	
	IWE050SX2	
	IWE050SXM	
	IWE050SY2	
	IWE050SYM	
	IWE234AN2	
	IWE234MC2	
	IWE234MD2	
	IWE234ME2	
	IWE234ML2	
	IWE234MN2	
	IWE234MX2	
	IWE234MY2	
	IWE234SC2	
	IWE234SD2	
	IWE234SE2	
	IWE234SL2	
	IWE234SR2	
	IWE234SX2	
	IWE234SY2	

# Washer-Extractor Product Overview



1 2

Type:	[WE]234	Nr:	07110WD0339
Voltage:	3 ~ 400V 50Hz	Weight:	181 kg
Motor:	0.55kW 2.5A	Capacity:	73 L
Heating:	9kW 16A	Dry Load:	7,3 kg
Total:	9.55 kW	Drum:	530 mm
Kinetic energy:	592 Nm	Speed:	700 rpm
Manufactured in:	2007		

Water Pressure: min. 2.07 max. 5.86 Kg/cm<sup>2</sup> IPX4  
min. 20.7 max. 58.6 N/cm<sup>2</sup>

sfc 741837

**Alliance International BVBA**  
Nieuwstraat 146  
8560 Wevelgem  
Belgium  
Tel: +32 56 41 20 54  
Fax: +32 56 41 86 74  
www.ipso.be






Label 1

1 2 3 4 5 6 7

Model No:	[IWE]050[M]N[M]X[1]0U01	Serial No:	07110WD0152
Volts Hertz:	208-240   50/60	Type:	WFF75
Phase:	1 - 3	Capacity:	18/7 lbs/kg
Amps:	6 amps	Water Pressure:	30-85 psi
Recommended Circuit Breaker:	15 amps	Pressure:	2.07-5.86 bar
Interrupt Current:	10 kA	Max Speed:	700 rpm
Motor:	1 hp 0,75 kW	Net Weight:	400 lbs 181 kg
Elec Heat:	N/A kW		IPX4
Steam heat:	N/A psi N/A bar		

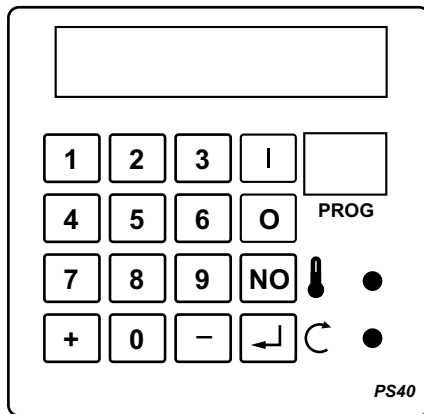
**Alliance International BVBA**  
Made in Belgium

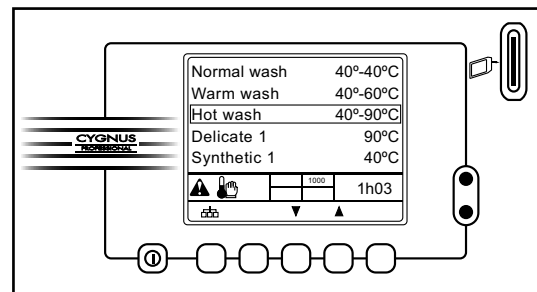
TEL 1-920-748-3121  
www.comlaundry.com

199740  
CONFORMS TO ANSILUL  
STD 2157  
CERTIFIED TO CAN/CSA  
STD C22.2 NO.169-94

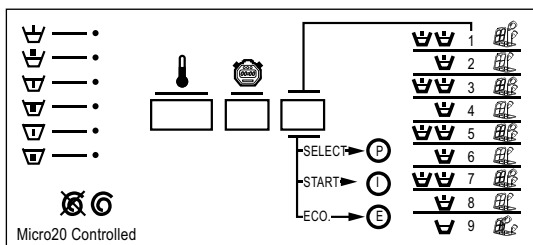
Label 2



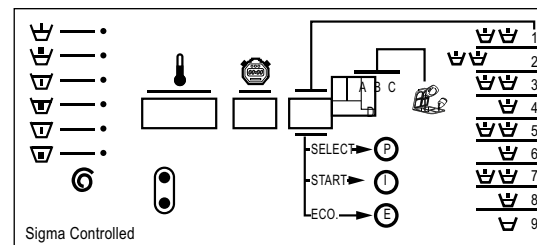
PS40



Cygnus Professional



Micro 20



Sigma

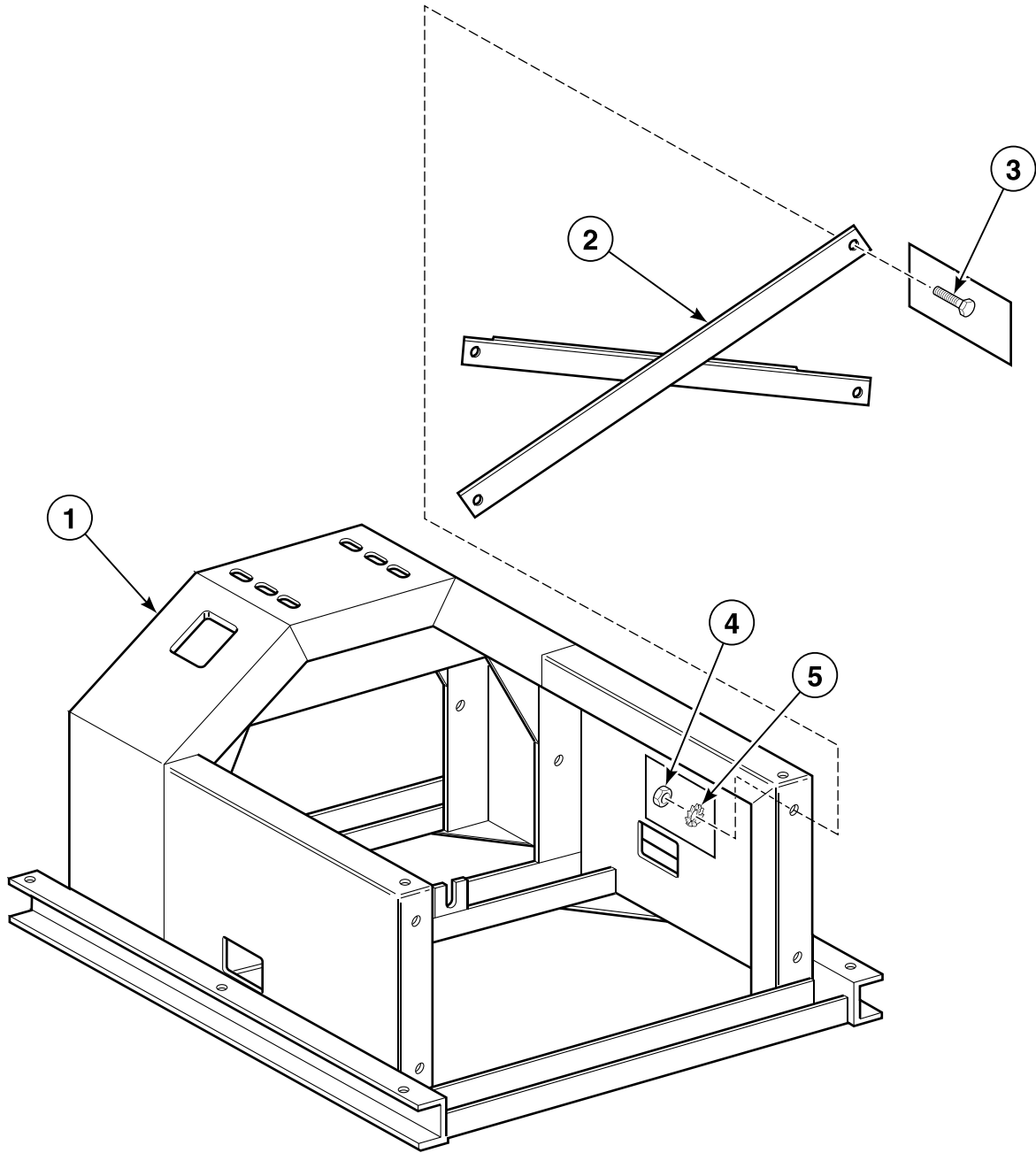
CHM3149P\_D0244



# Washer-Extractor Product Overview

REF	PART NO.	DESCRIPTION	COMMENTS
1	-	Product Family	CWE IWE WE
2	-	Capacity	050 234
3	-	Control	A (PS40F) CAM-Timer M (Micro-20) PC30 PS40 S (Sigma)
4	-	Actuation	C (Coin Drop Meter) D (Dual Coin Drop) E (Electronic Drop) L (Prep for Remote or Central Pay) N (Non-Coin) R (Smart Card Relay) X (Prep for Coin) Y (Card Ready)
5	-	Speed	2 (Normal Spin) M (Medium Spin)
6	-	Voltage	N (440-480/50-60/3/3) P (380-415/50-60/3/3) Q (208-240/50-60/3/3) X (200-240/50-60/1/3)
7	-	Design	1

# Frame

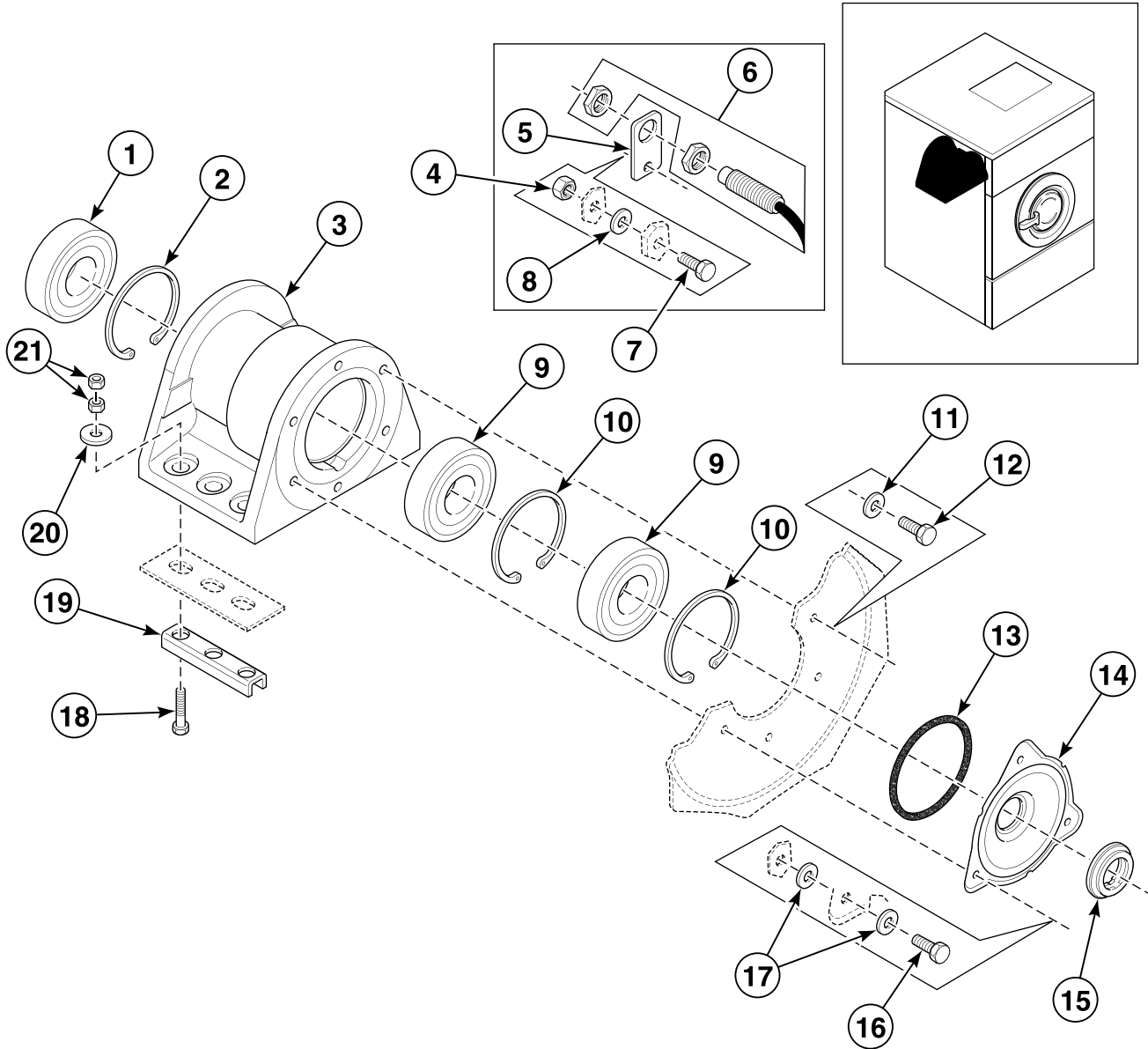


BE000380P\_D0244

# Frame

REF	PART NO.	DESCRIPTION	COMMENTS
1	237/00001/50	Base	
2	137/00003/00	Coin Box	
3	206/00003/00	Bolt	
4	204/00002/00	Nut	
5	203/00001/00	Washer	

# Bearing Housing

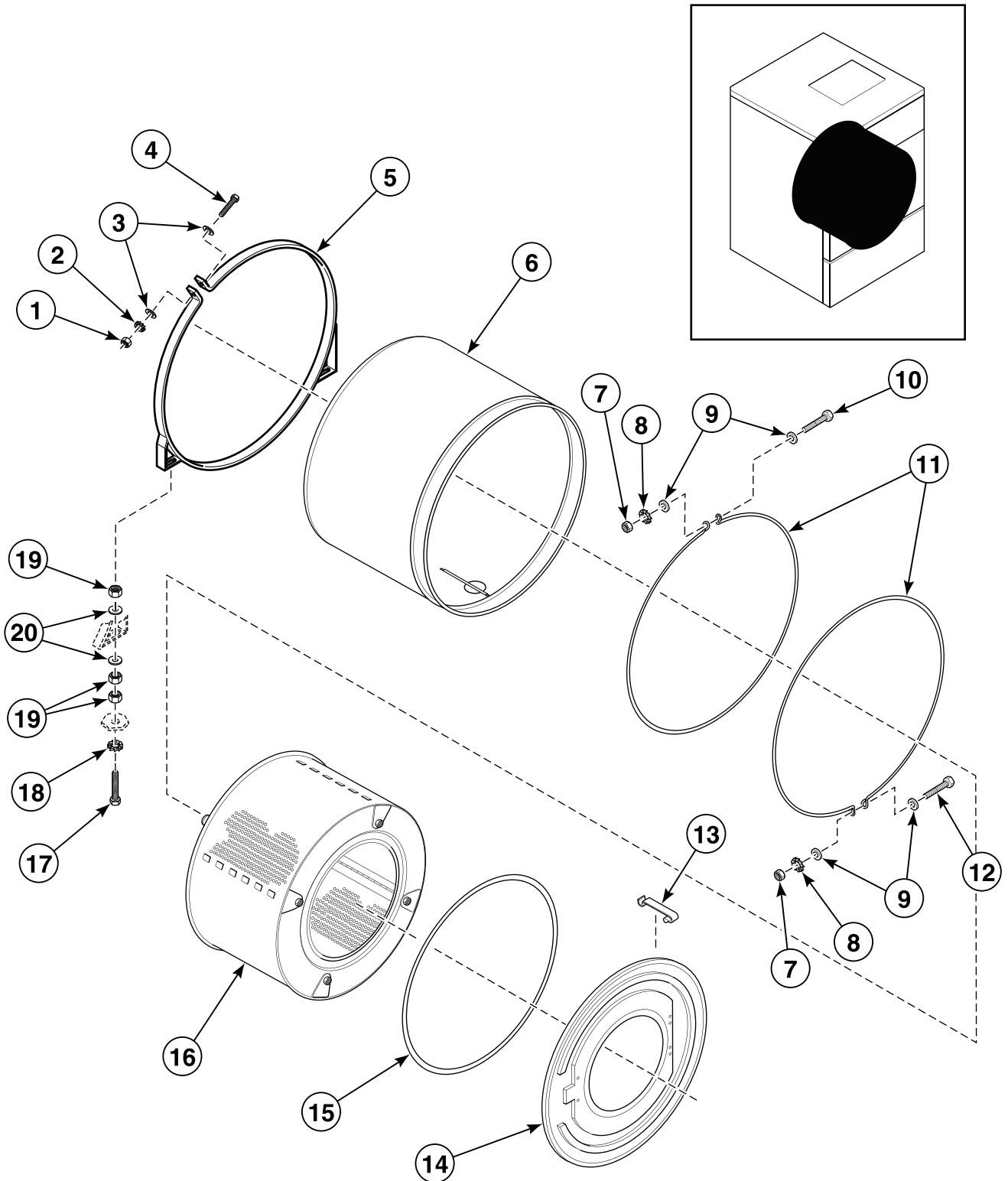


BE000280AP\_D0244

# Bearing Housing

REF	PART NO.	DESCRIPTION	COMMENTS
	KBRGWE234	Bearing Replacement Kit	
	382P3	Bearing Replacement Tool Kit	
1	212/00024/00	Ball Bearing	
2	212/00037/00	Retainer Ring	
3	212/10104/00	Bearing Housing Assembly	
4	204/00009/00	Nut	
5	152/00052/00	Speed Detector Assembly Plate	
6	209/00400/00	Speed Detector	
7	205/00115/00	Bolt	
8	201/00007/00	Washer	
9	212/00004/00	Ball Bearing	
10	212/00006/00	Retainer Ring	
11	201/00010/00	Washer	
12	205/00101/00	Screw	
13	217/00002/00	O-Ring	
14	119/00001/00	Seal Plate	
15	219/00003/00	Shaft Seal	
16	205/00102/00	Bolt	
17	201/00201/00	Washer	
18	206/00045/00	Bolt	
19	113/00016/01	U-Piece	
20	201/00012/00	Washer	
21	204/00001/00	Nut	Standard
	204/00112/00	Nut	Lock

# Shell and Basket

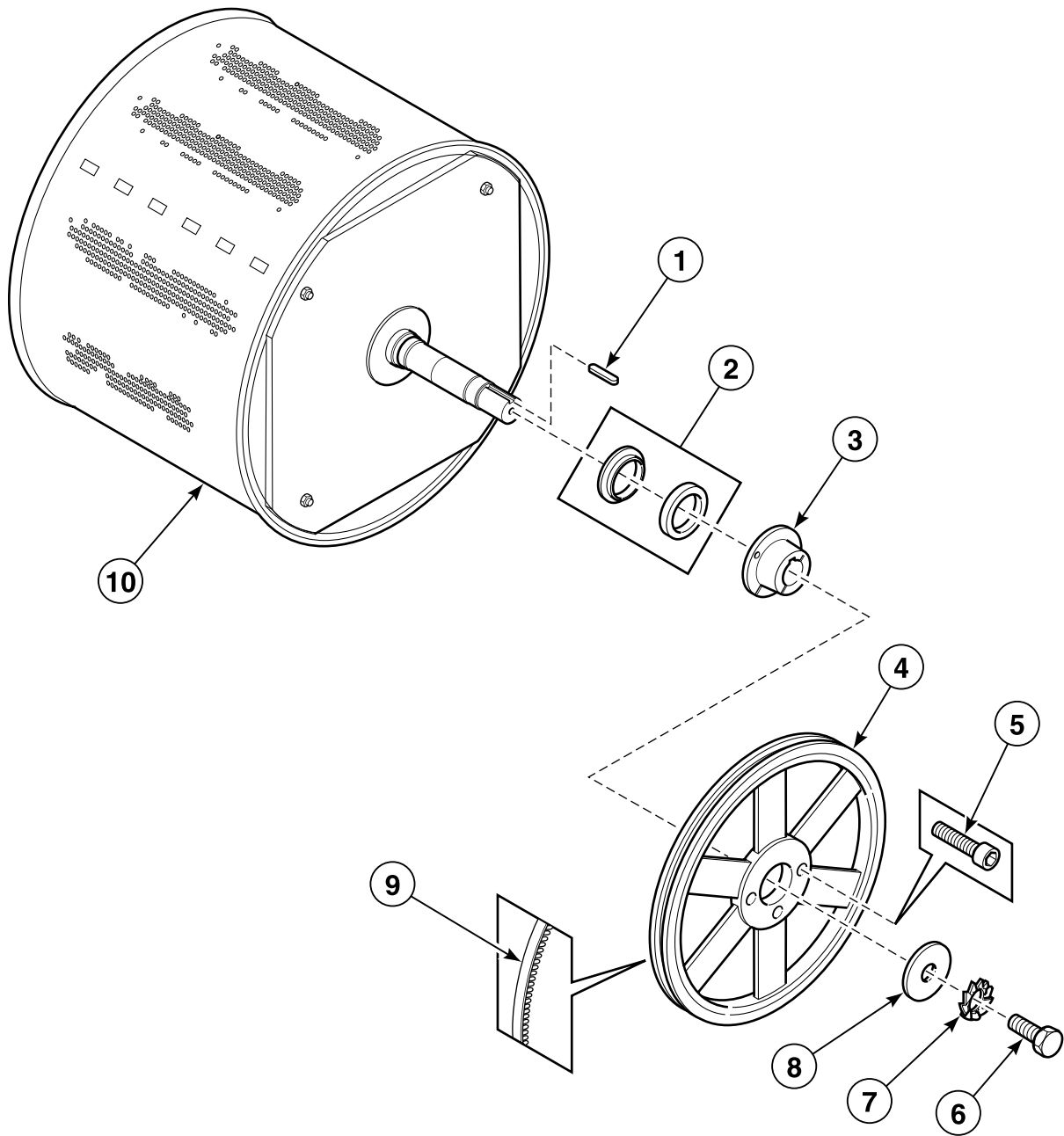


BE000390P\_D0244

# Shell and Basket

REF	PART NO.	DESCRIPTION	COMMENTS
1	204/00003/00	Nut	
2	203/00002/00	Washer	
3	201/00005/00	Washer	
4	206/00052/00	Bolt	
5	137/00004/00	Tub Ring Assembly	
6	119/00228/00	Outer Tub	Electric heat
	138/00006/00	Outer Tub	Steam heat; 2 inlet
	138/00003/00	Outer Tub	Steam heat; 3 inlet
	138/00008/00	Outer Tub	Electric heat; 4 inlet
	138/00009/00	Outer Tub	Steam heat; 4 inlet
	138/00010/00	Outer Tub	6 inlet
7	204/00005/00	Nut	
8	203/00004/00	Washer	
9	202/00003/00	Washer	
10	206/00011/00	Bolt	
11	238/00011/00	Tub Clamp Ring	
12	206/00034/00	Bolt	
13	217/00008/00	Tub Front Panel Clip	
14	138/00001/00	Tub Front	
15	223/00242/40	Tub Front Panel Gasket	
16	B12327101	Cylinder and Shaft Assembly	3.5 mm diameter holes in basket
	139/00005/00	Drum and Axle	9 mm diameter holes in basket
17	206/00029/00	Bolt	
18	203/00001/00	Washer	
19	204/00002/00	Nut	
20	201/00009/00	Washer	

# Basket, Pulley and Belt



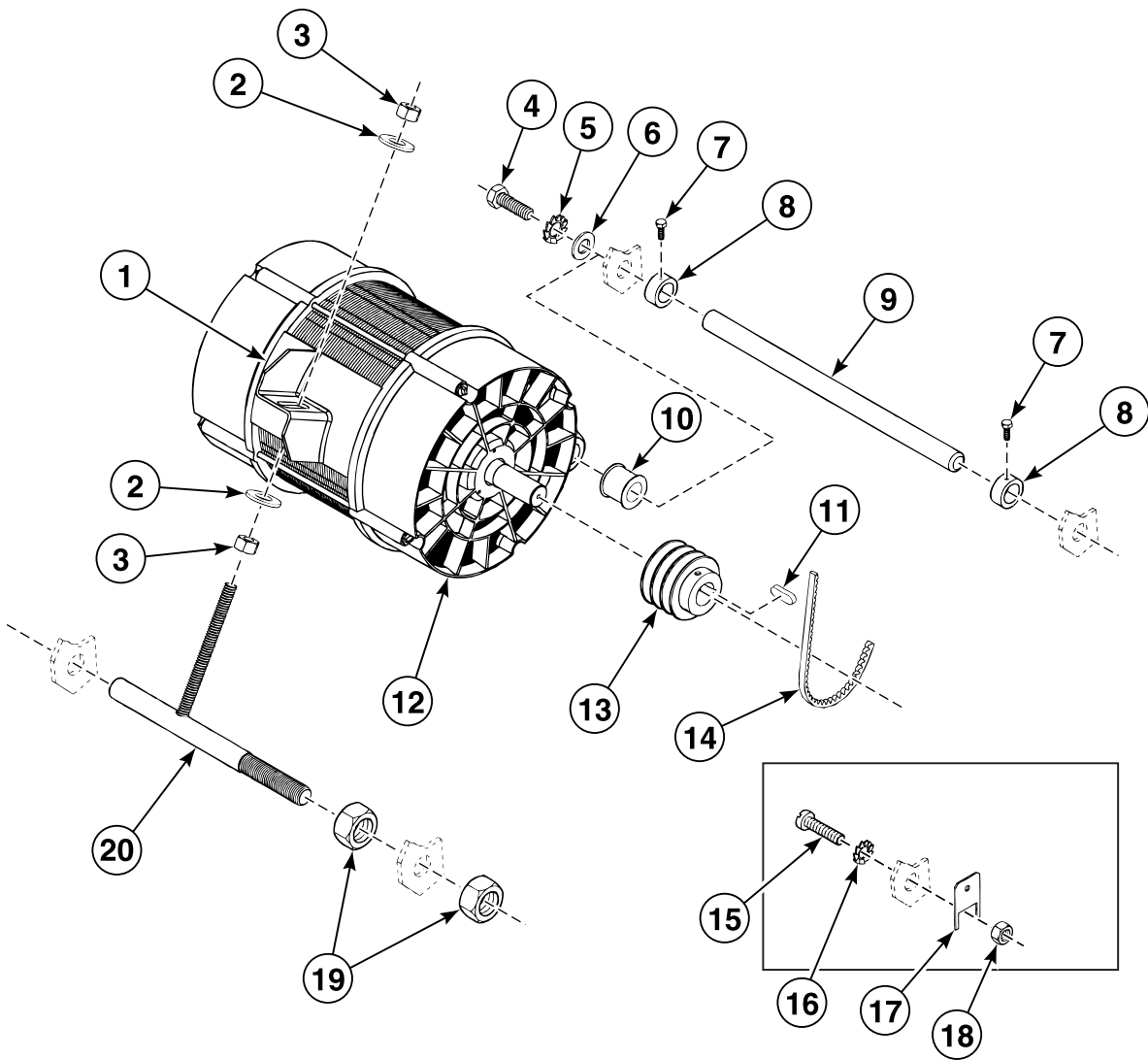
BE000387P\_D0244



## Basket, Pulley and Belt

REF	PART NO.	DESCRIPTION	COMMENTS
1	212/00026/00	Key	
2	219/00004/00	Counter Ring	
3	239/00005/01	Pulley Hub	
4	239/00013/00	Pulley	
5	206/00130/00	Bolt	M12 x 45
	206/00053/00	Screw	M12 x 50
6	206/00004/00	Bolt	
7	203/00001/00	Washer	
8	201/00011/00	Washer	
9	226/00028/00	Belt	
10	B12327101	Cylinder and Shaft Assembly	3.5 mm diameter holes in basket
	139/00005/00	Drum and Axle	9 mm diameter holes in basket

# Motor with Built-In Tightening Bracket - Models without Inverter Drive

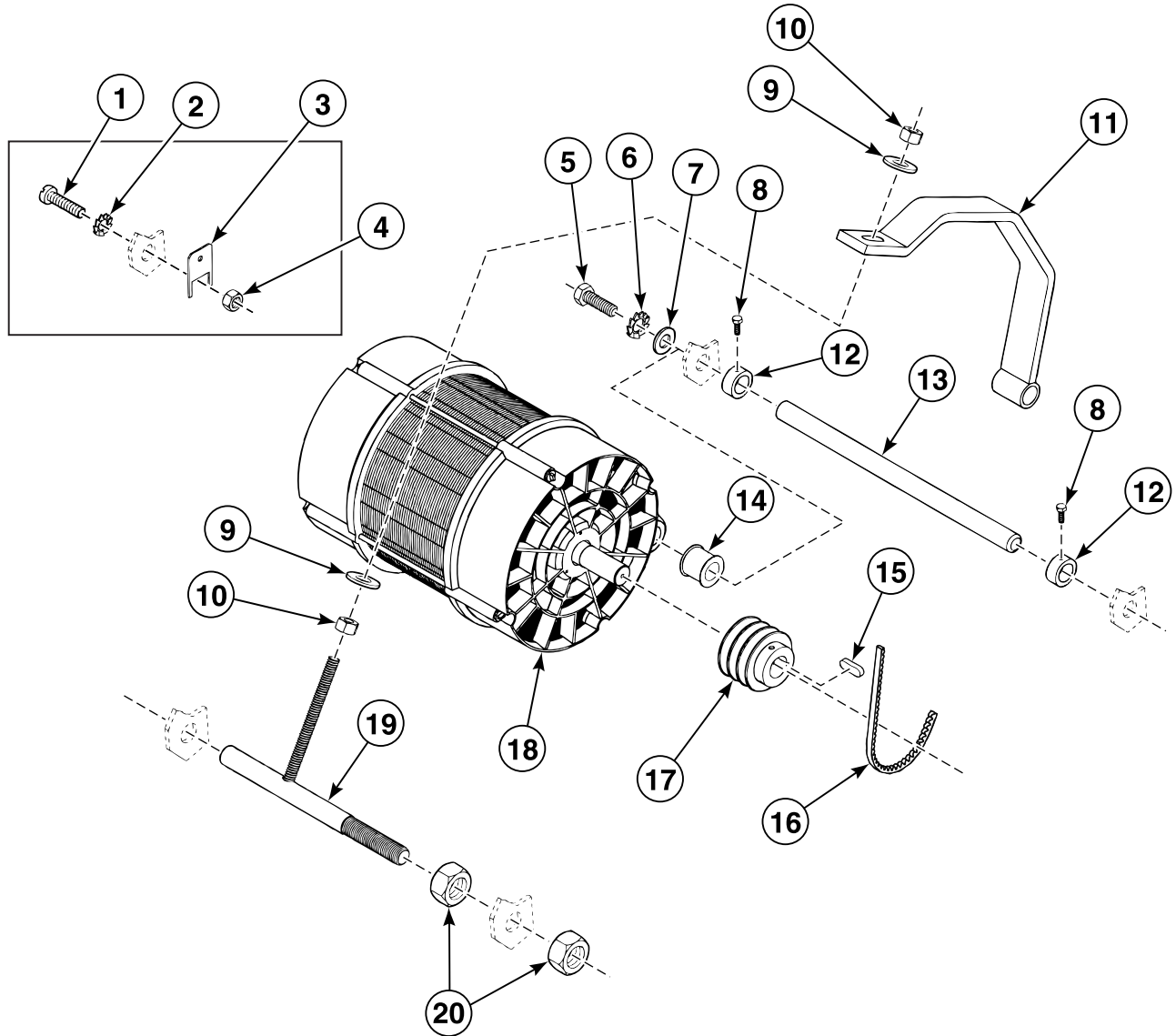


BE000381AP\_D0244

## Motor with Built-In Tightening Bracket - Models without Inverter Drive

REF	PART NO.	DESCRIPTION	COMMENTS
1	141/00005/00	Belt	
2	201/00004/00	Washer	
3	204/00002/00	Nut	
4	206/00006/00	Bolt	
5	203/00002/00	Washer	
6	201/00010/00	Washer	
7	206/00014/00	Bolt	
8	226/00054/00	Safety Ring	
9	126/00051/00	Spindle	
10	223/00087/00	Stopper	
11	227/00127/01	Motor Key	
12	241/00006/00	Motor	200 Volt/60 Hertz/3 Phase
	241/00003/00	Motor	208-240 Volt/60 Hertz/3 Phase
	241/00001/00	Motor	220-380 Volt/50 Hertz/3 Phase
	241/00004/00	Motor	220-380 Volt/60 Hertz
	241/00002/00	Motor	400-440 Volt/50 Hertz
13	226/00072/00	Pulley	50 Hertz
	226/00073/00	Pulley	60 Hertz
14	226/00028/00	Belt	
15	207/00008/00	Screw	
16	203/00006/00	Washer	
17	209/00043/00	Terminal	
18	204/00007/00	Nut	
19	204/00014/00	Nut	
20	137/00002/00	Belt	

# Motor - Models without Inverter Drive

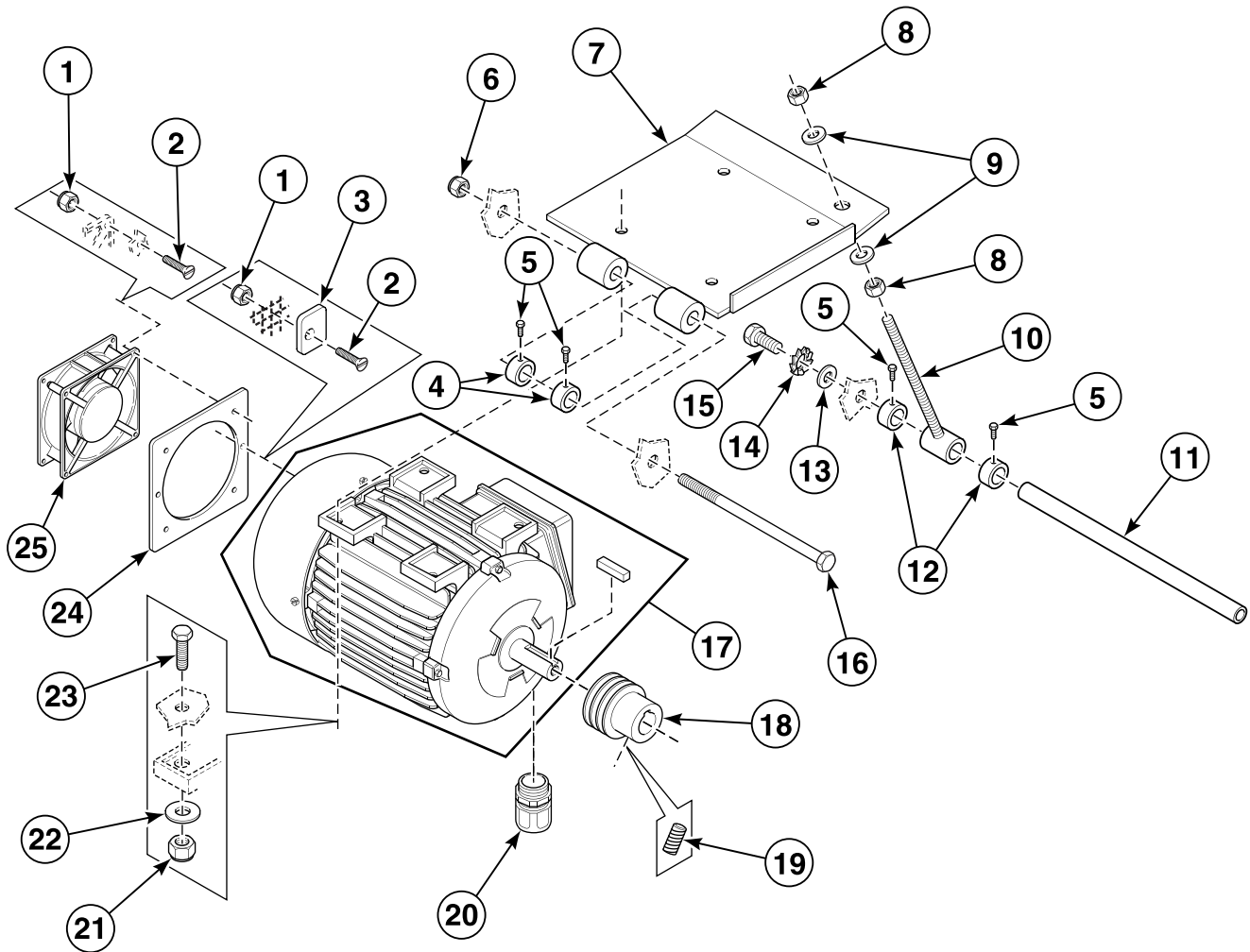


BE000396P\_D0244

## Motor - Models without Inverter Drive

REF	PART NO.	DESCRIPTION	COMMENTS
1	207/00008/00	Screw	
2	203/00006/00	Washer	
3	209/00043/00	Terminal	
4	204/00007/00	Nut	
5	206/00006/00	Bolt	
6	203/00002/00	Washer	
7	201/00010/00	Washer	
8	206/00014/00	Bolt	
9	201/00004/00	Washer	
10	204/00002/00	Nut	
11	137/00009/00	Tightening Bracket	
12	226/00054/00	Safety Ring	
13	126/00051/00	Spindle	
14	223/00087/00	Stopper	
15	227/00127/01	Motor Key	
16	226/00028/00	Belt	
17	226/00072/00	Pulley	50 Hertz
	226/00073/00	Pulley	60 Hertz
18	241/00001/00	Motor	
19	137/00002/02	Belt	
20	204/00014/00	Nut	

# Motor - Models with Inverter Drive

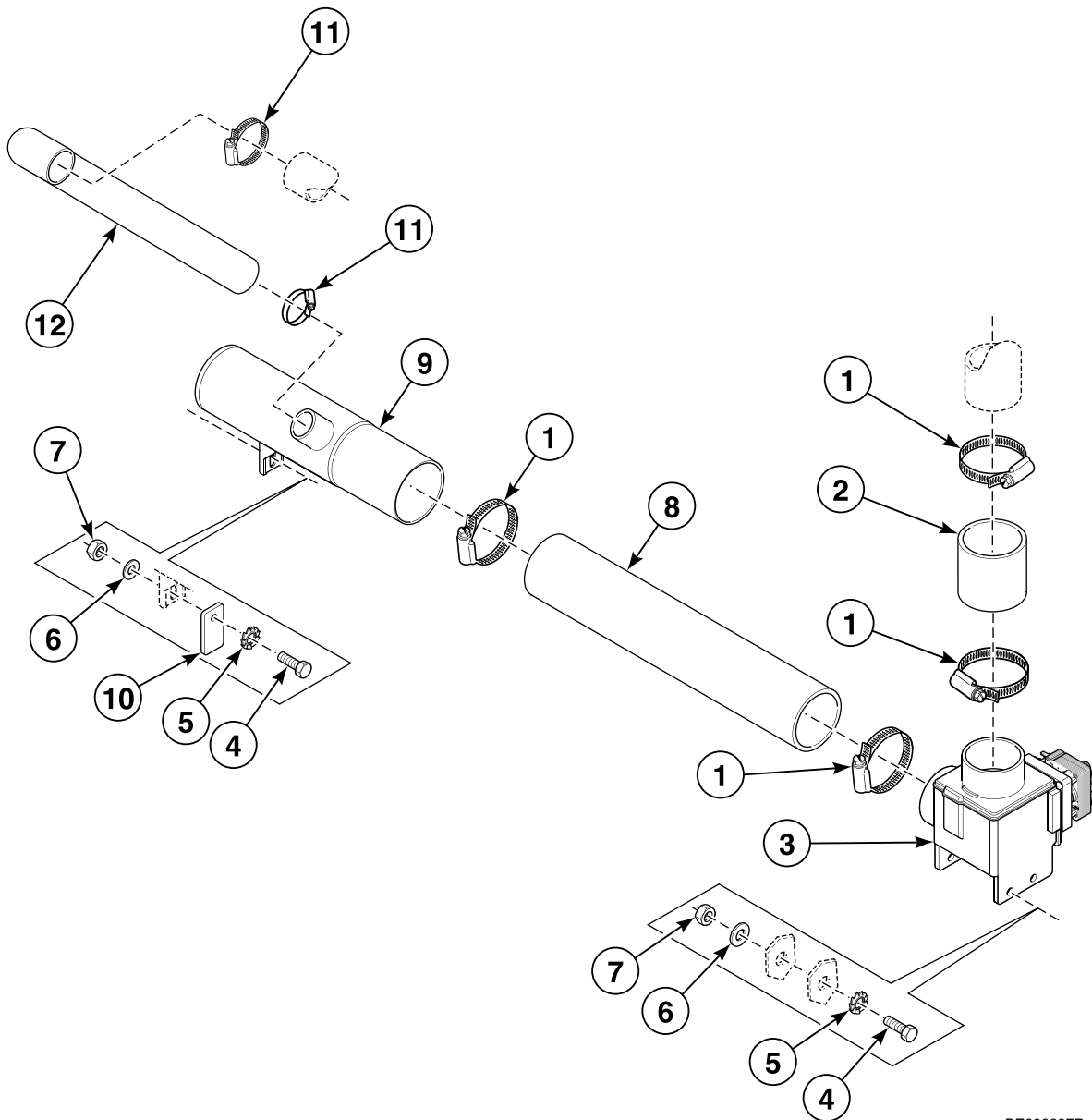


BE000369AP\_D0244

## Motor - Models with Inverter Drive

REF	PART NO.	DESCRIPTION	COMMENTS
1	204/00115/00	Nut	
2	207/00002/00	Screw	
3	117/00042/00	Retaining Ring	
4	211/00162/00	Spacer	
5	206/00014/00	Bolt	
6	204/00113/00	Nut	
7	137/00010/00	Mounting Plate	
8	204/00012/00	Nut	
9	201/00001/00	Washer	
10	197/00011/00	Rod	
11	126/00051/00	Spindle	
12	226/00054/00	Safety Ring	
13	201/00010/00	Washer	
14	203/00002/00	Washer	
15	206/00006/00	Bolt	
16	206/00127/00	Bolt	
17	227/00128/00	Motor	
18	226/00092/00	Pulley	
19	206/00056/00	Screw	
20	211/00117/00	Cordlock	
21	204/00111/00	Nut	
22	201/00004/00	Washer	
23	206/00003/00	Bolt	
24	111/00243/00	Intermediate Fan Motor Plate	
25	209/00287/00	Cooling Fan	

# Drain Plumbing



BE000397P\_D0244

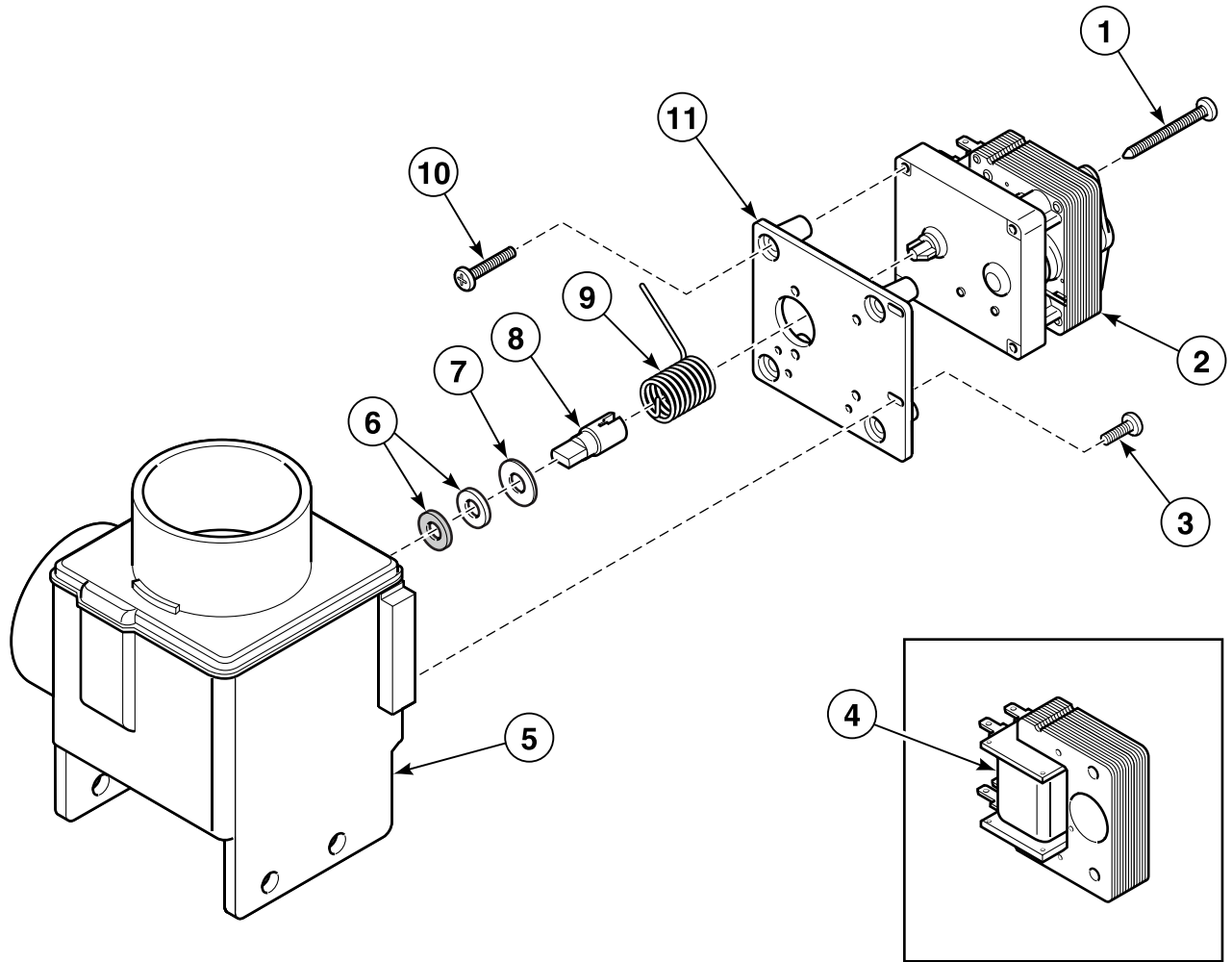


# Drain Plumbing

REF	PART NO.	DESCRIPTION	COMMENTS
1	223/00023/00	Hose Clamp	
2	223/00183/00	Drain Hose	
3	209/00399/00	Drain Valve	
4	206/00013/00	Bolt	
5	203/00004/00	Washer	
6	201/00006/00	Washer	
7	204/00005/00	Nut	
8	101/00007/00	Outlet Pipe Plate Assembly	
9	223/00106/00	Drain Pipe	
10	N/A	Plate	
11	223/00013/00	Hose Clamp	
12	223/00100/00	Overflow Hose	

**N/A = Part no longer available**

# Drain Valve

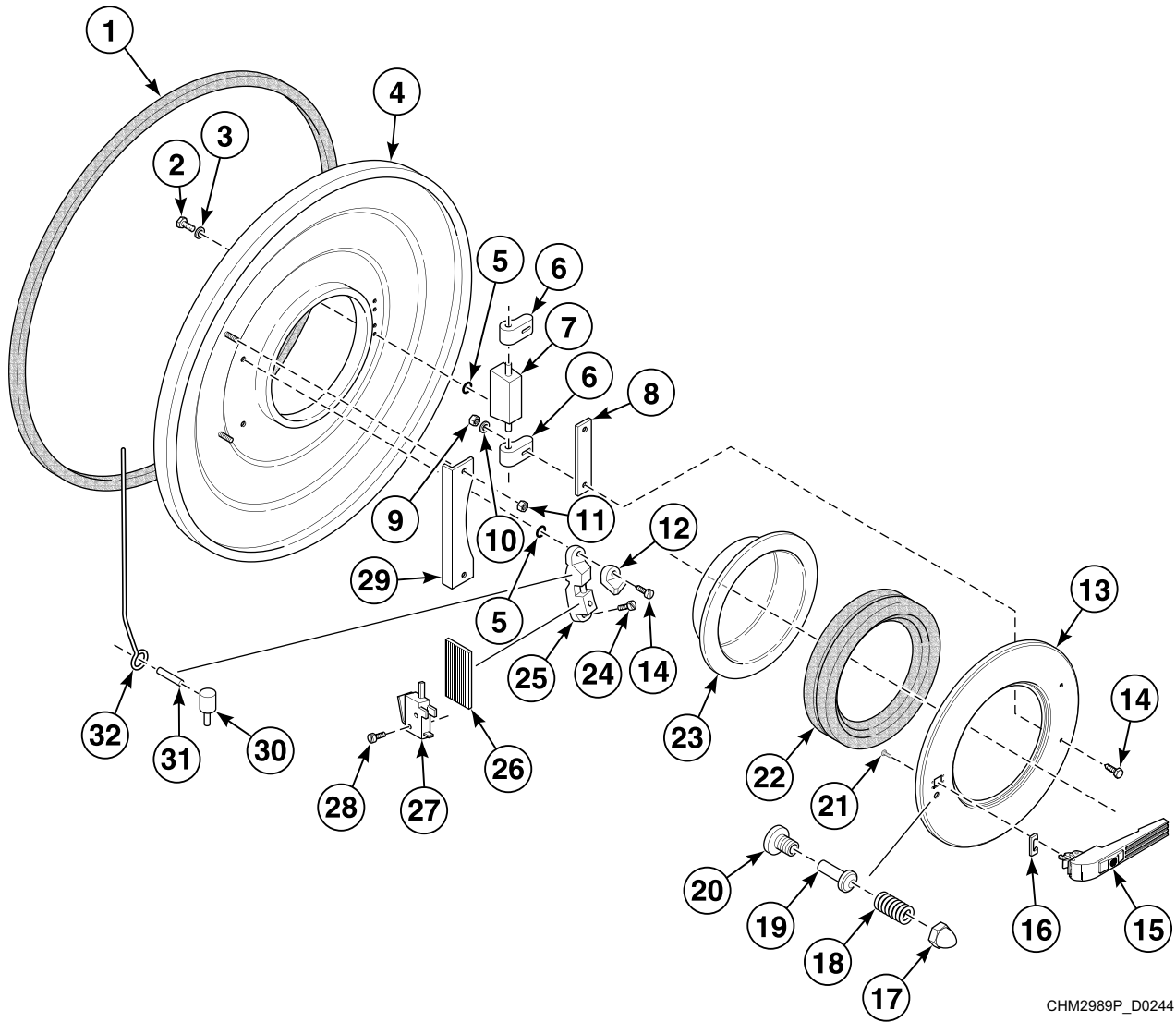


BE000392P\_D0244

## Drain Valve

REF	PART NO.	DESCRIPTION	COMMENTS
1	209/00025/08	Screw	
2	209/00203/11	Drain Valve Motor	24 Volt
	209/00052/11	Drain Valve Motor	110 Volt/60 Hertz
	209/00051/11	Drain Valve Motor	220 Volt/50 or 60 Hertz
3	209/00170/05	Screw	
4	209/00203/21	Coil	24 Volt
	209/00052/21	Coil	115 Volt/60 Hertz
	209/00051/21	Coil	220 Volt/50 or 60 Hertz
5	209/00399/01	Housing	
6	209/00025/10	Drain Valve Shaft Seal	
7	209/00025/12	Washer	
8	209/00170/10	Drain Valve Shaft	
9	209/00025/13	Drain Valve Spring	
10	209/00025/08	Screw	
11	209/00025/07	Drain Valve Motor Mounting Plate	

# Door Lock - Models Through 1997



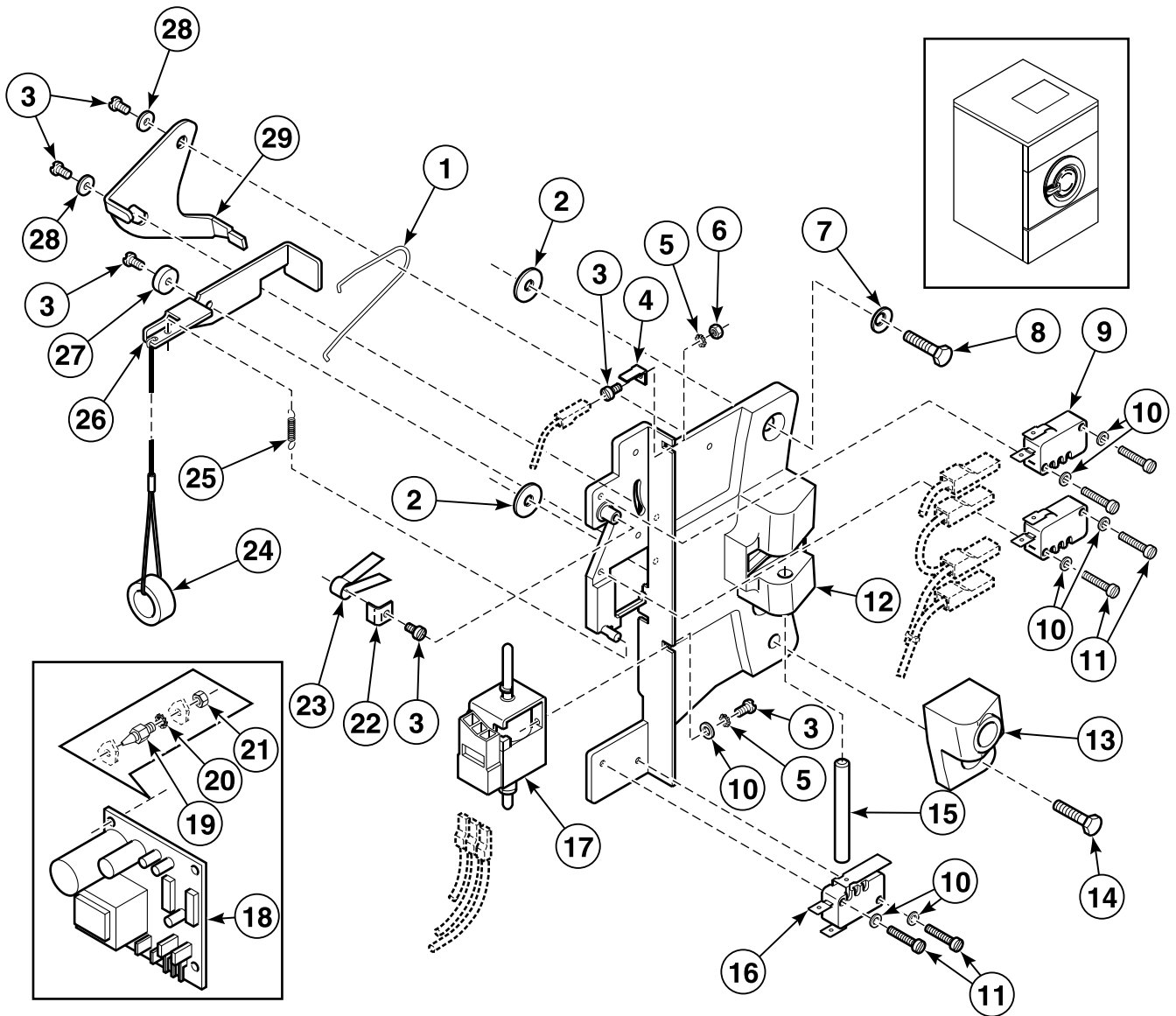
CHM2989P\_D0244

## Door Lock - Models Through 1997

REF	PART NO.	DESCRIPTION	COMMENTS
1	223/00242/00	Tub Front Gasket	
2	205/00104/00	Bolt	
3	202/00101/00	Washer	
4	138/00001/00	Tub Front	
5	217/00021/00	O-Ring	
6	217/00009/02	Door Hinge Assembly	
7	217/00009/01	Door Hinge	
8	117/00010/00	Door Hinge Spacer	
9	204/00106/00	Nut	
10	202/00003/00	Washer	
11	204/00009/00	Nut	
12	217/00017/02	Protection Block	
13	131/00003/00	Door Panel	
14	207/00102/00	Screw	
15	217/00065/00	Door Handle	
16	217/00016/00	Door Handle Stop	
17	204/00103/00	Nut	
18	217/00020/00	Spring	
19	211/00105/00	Pin	
20	217/00019/00	Holder	
21	207/00005/00	Screw	
	203/00008/00	Washer	
22	223/00068/00	Door Glass Seal	
23	231/00004/00	Door Glass	
24	207/00103/00	Screw	
25	217/00017/00	Door Lock Assembly	
26	217/00038/00	Insulation Plate	
27	209/00023/00	Door Switch	
28	207/00109/00	Screw	
29	N/A	Door Interlock System Protection Plate	
30	224/00003/00	Interlock Pin	
31	208/00004/00	Pin	
32	N/A	Lock Wire Bridge	

N/A = Part no longer available

# Door Lock - Models Starting 1998

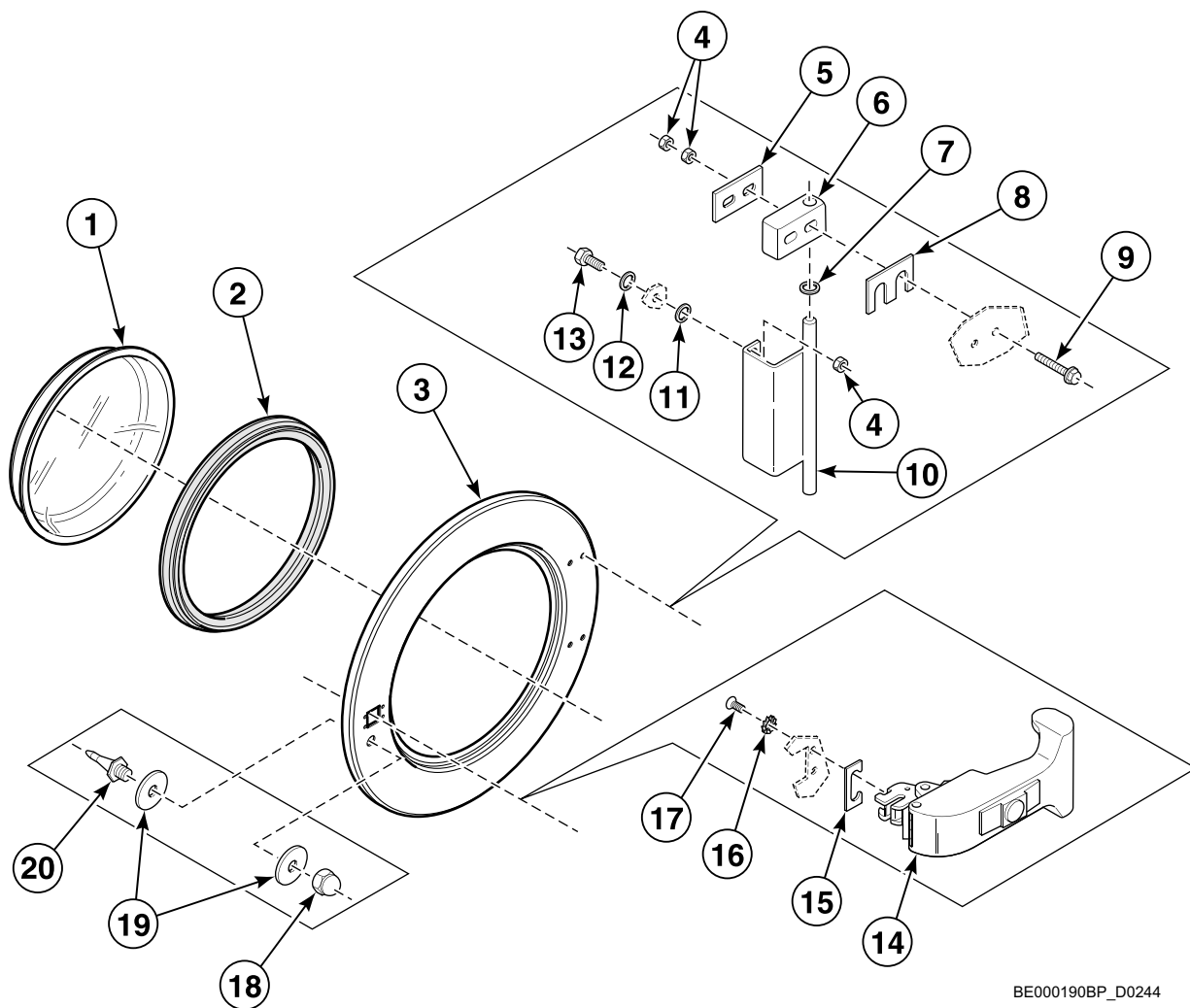


BE000059AP\_D0244

## Door Lock - Models Starting 1998

REF	PART NO.	DESCRIPTION	COMMENTS
1	224/00040/00	Lever Spring	
2	217/00021/00	O-Ring	
3	207/00135/00	Screw	
4	210/10015/00	Ground Terminal	
5	203/00007/00	Washer	
6	204/00008/00	Nut	
7	203/00010/00	Washer	
8	207/00103/00	Screw	
9	209/00272/00	Door Lock Microswitch	
10	201/00018/00	Washer	
11	207/00009/00	Screw	
12	217/00052/01A	Door Lock Assembly	Includes items 1-11, 13-17 and 22-29
13	217/00052/02	Door Lock Pin Kit	
14	207/00102/00	Screw	
15	217/00017/03	Lock Shaft	
16	209/00273/00	Light Microswitch	
17	209/00274/00	Door Lock Solenoid	
18	209/00275/04	Door Lock Board	
19	211/00120/00	Standoff	
20	203/00006/00	Washer	
21	204/00007/00	Nut	
22	217/00052/08	Washer	
23	224/00049/00	Door Lock Spring	
24	224/00015/00	Door Latch Cord	
25	224/00043/00	Interlock Coil Spring	
26	217/00052/04	Interlock Lever	
27	217/00052/03	Door Lock Spacer	
28	201/00017/00	Washer	
29	217/00052/05	Switch Lever	

# Door



BE000190BP\_D0244



# Door

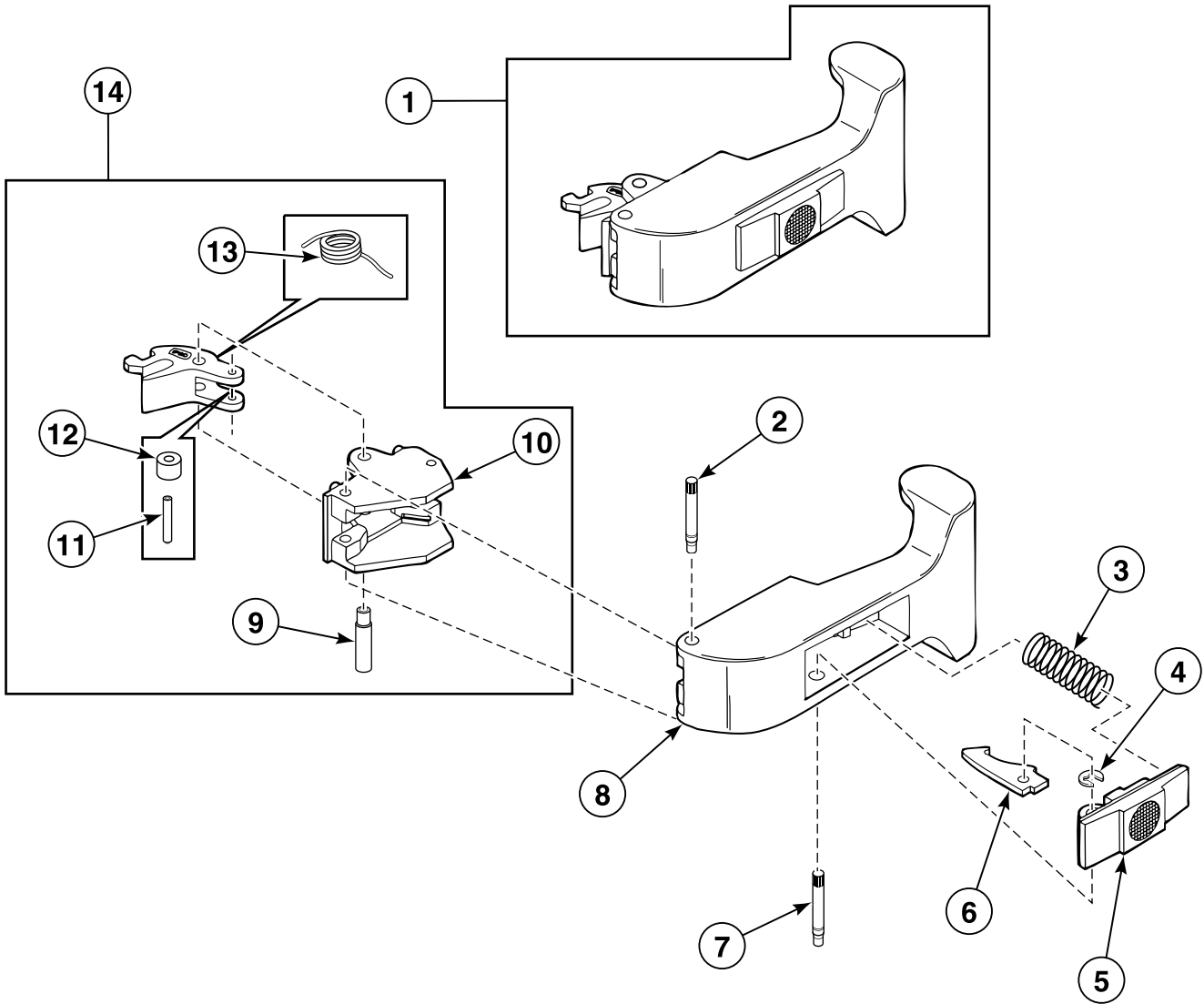
REF	PART NO.	DESCRIPTION	COMMENTS
1	231/00004/00	Door Glass	
2	223/00068/00	Door Glass Seal	
3	131/00003/00	Door Panel	
4	204/00106/00	Nut	
5	111/00003/00	Door Hinge Plate Assembly	
6	253/00022/00	Door Hinge Block	
7	202/00104/00	Washer	
8	118/00122/00	Door Hinge Spacer	1.5 mm
	118/00124/00	Door Hinge Spacer	2 mm
9	207/00126/00	Screw	
10	131/00046/00	Hinge	
11	217/00021/00	O-Ring	
12	202/00101/00	Washer	
13	205/00104/00	Bolt	
14	217/00051/00	Door Handle	
15	217/00016/00	Door Handle Stop	
16	203/00008/00	Washer	
17	207/00020/00	Screw	
18	204/00103/00	Nut	
19	202/00111/00	Washer	
20	211/00109/01	Door Lock Pin Kit	



## Door Handle (Drawing 1 of 2)

REF	PART NO.	DESCRIPTION	COMMENTS
1	217/00051/00	Door Handle	
2	217/00013/09	Door Mounting Pin	
3	217/00013/11	Door Circlip	
4	217/00013/12	Door Handle	
5	217/00013/13	Door Handle Hook	
6	217/00013/14	Door Handle Spring	
7	217/00013/15	Door Handle Locking Pin	
8	217/00013/16	Door Handle Assembly Plate	
9	217/00051/10	Door Handle	
10	217/00013/08	Door Locking Pin	
11	217/00013/07	Door Locking Grip	
12	217/00013/05	Door Axle Roller	
13	217/00013/06	Door Roller	
14	217/00013/04	Door Handle Latch	
15	217/00013/03	Door Lock Spring	
16	217/00051/14	Door Handle Latch	

# Door Handle (Drawing 2 of 2)



BE000034BP\_D0244

## Door Handle (Drawing 2 of 2)

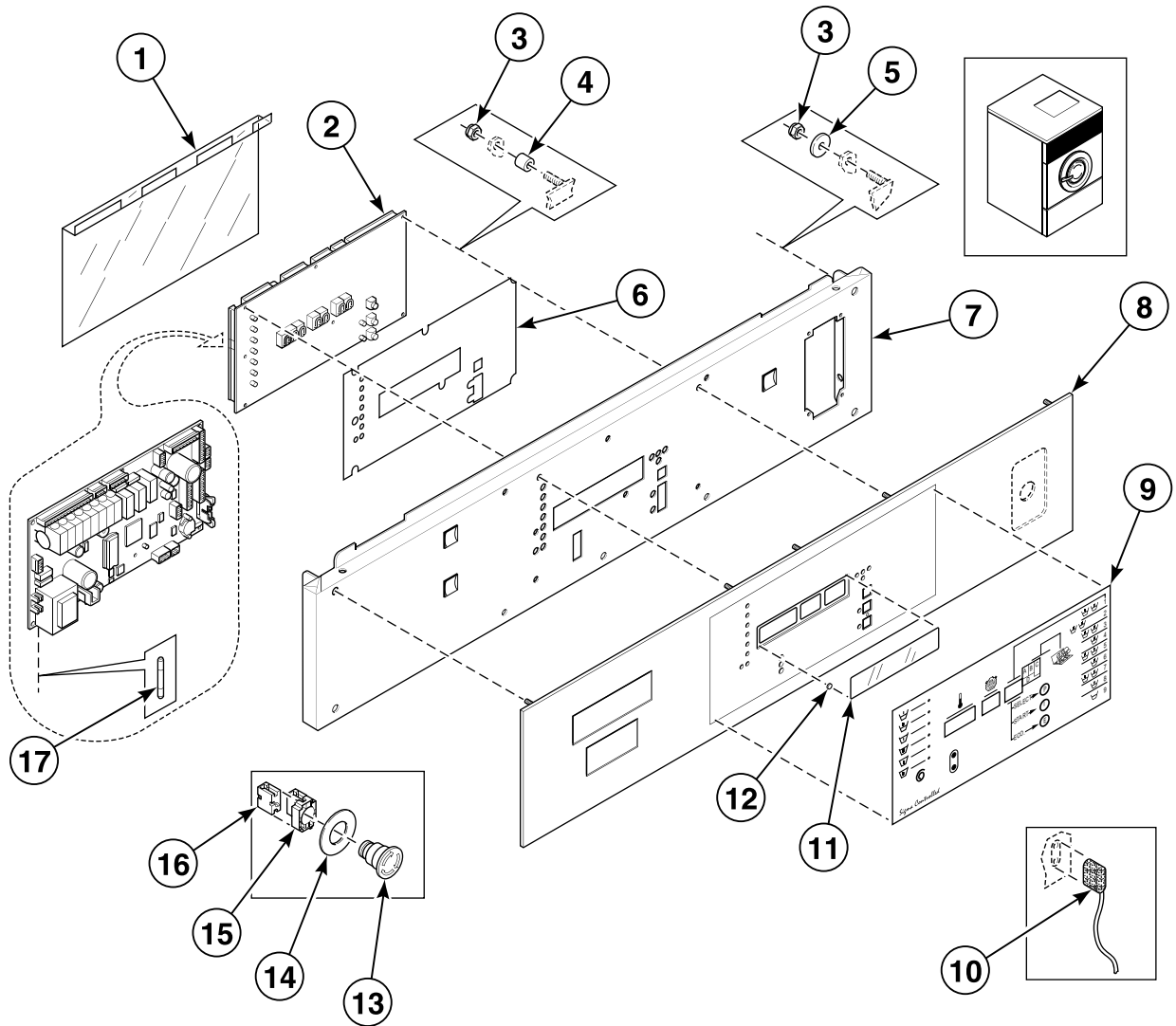
REF	PART NO.	DESCRIPTION	COMMENTS
1	217/00051/00	Door Handle	
2	217/00013/09	Door Mounting Pin	
3	217/00013/14	Door Handle Spring	
4	217/00013/11	Door Circlip	
5	217/00013/12	Door Handle	
6	217/00051/13	Door Handle Catch	
7	217/00051/15	Door Locking Pin	
8	217/00051/10	Door Handle	
9	217/00013/08	Door Locking Pin	
10	217/00013/07	Door Locking Grip	
11	217/00013/05	Door Axle Roller	
12	217/00013/06	Door Roller	
13	217/00013/03	Door Lock Spring	
14	217/00051/14	Door Handle Latch	



## Control Panel - Micro-20

REF	PART NO.	DESCRIPTION	COMMENTS
1	229/00262/00	Circuit Board Cover	
2	209/00440/02	Printboard	115 Volt
	209/00440/00	Printboard	230 Volt; Models through 8/31/01
	209/00440/70	Printboard	230 Volt; Models starting 9/1/11
3	204/00114/00	Nut	
4	211/00122/00	Standoff	
5	204/00009/00	Nut	
6	201/00008/00	Washer	
7	229/00255/00	Insulating Sticker	
8	111/00221/00	Upper Front Panel	Stainless steel
	111/00184/10	Upper Front Panel	Epoxy
9	225/00298/AOL	Facia Panel	OPL
	225/00306/AOL	Facia Panel	Coin
10	225/00309/00	Sticker	OPL
	225/00308/00	Sticker	Coin
11	225/00316/00	Plexi Frame	
12	209/00248/00	Mushroom Pushbutton	
13	209/00520/00	Telem Sticker	
14	209/00253/00	Emergency Stop Button Kit	
15	209/00099/06	Contact Switch	
16	209/00266/01	Eprom	
17	209/00439/00	Fuse	

# Control Panel - Sigma



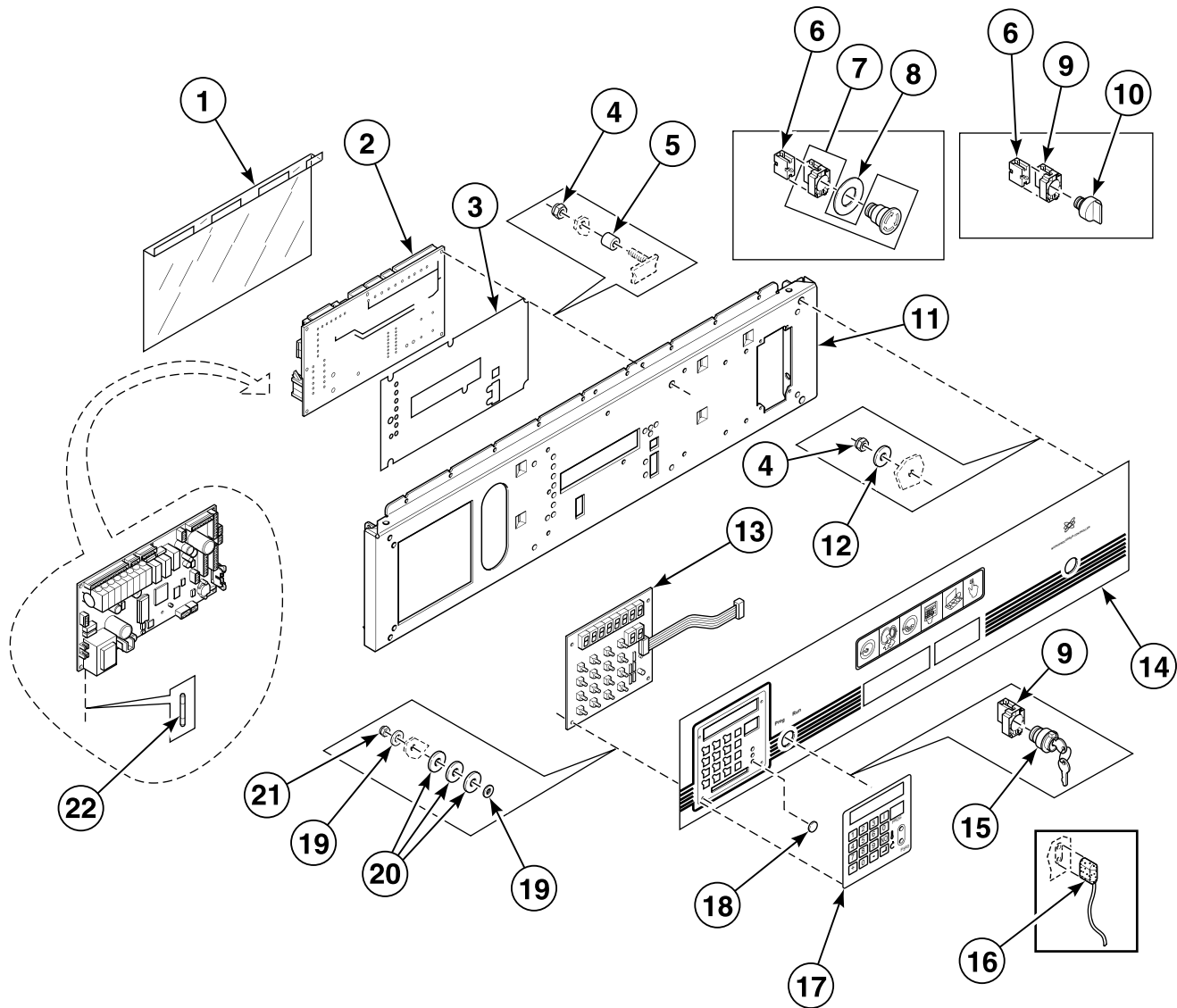
BE000375P\_D0244



## Control Panel - Sigma

REF	PART NO.	DESCRIPTION	COMMENTS
1	229/00262/00	Circuit Board Cover	
2	209/00547/00	Control Board	
3	204/00114/00	Nut	
4	211/00122/00	Standoff	
5	201/00008/00	Washer	
6	229/00255/00	Insulating Sticker	
7	111/00221/00	Upper Front Panel	Stainless steel
	111/00184/10	Upper Front Panel	Epoxy
8	225/00298/AOL	Facia Panel	OPL
	225/00306/AOL	Facia Panel	Coin
9	225/00361/00	Front Label	OPL
	225/00360/00	Front Label	Coin
	225/00367/00	Front Label	Coin models with central payment
10	210/00902/00	Infrared Cable	
11	225/00316/00	Plexi Frame	
12	202/00120/00	Metal Disc	
13	209/00248/00	Mushroom Pushbutton	
14	209/00520/00	Telem Sticker	
15	209/00253/00	Emergency Stop Button Kit	
16	209/00099/06	Contact Switch	
17	209/00439/00	Fuse	

# Control Panel - PS40F



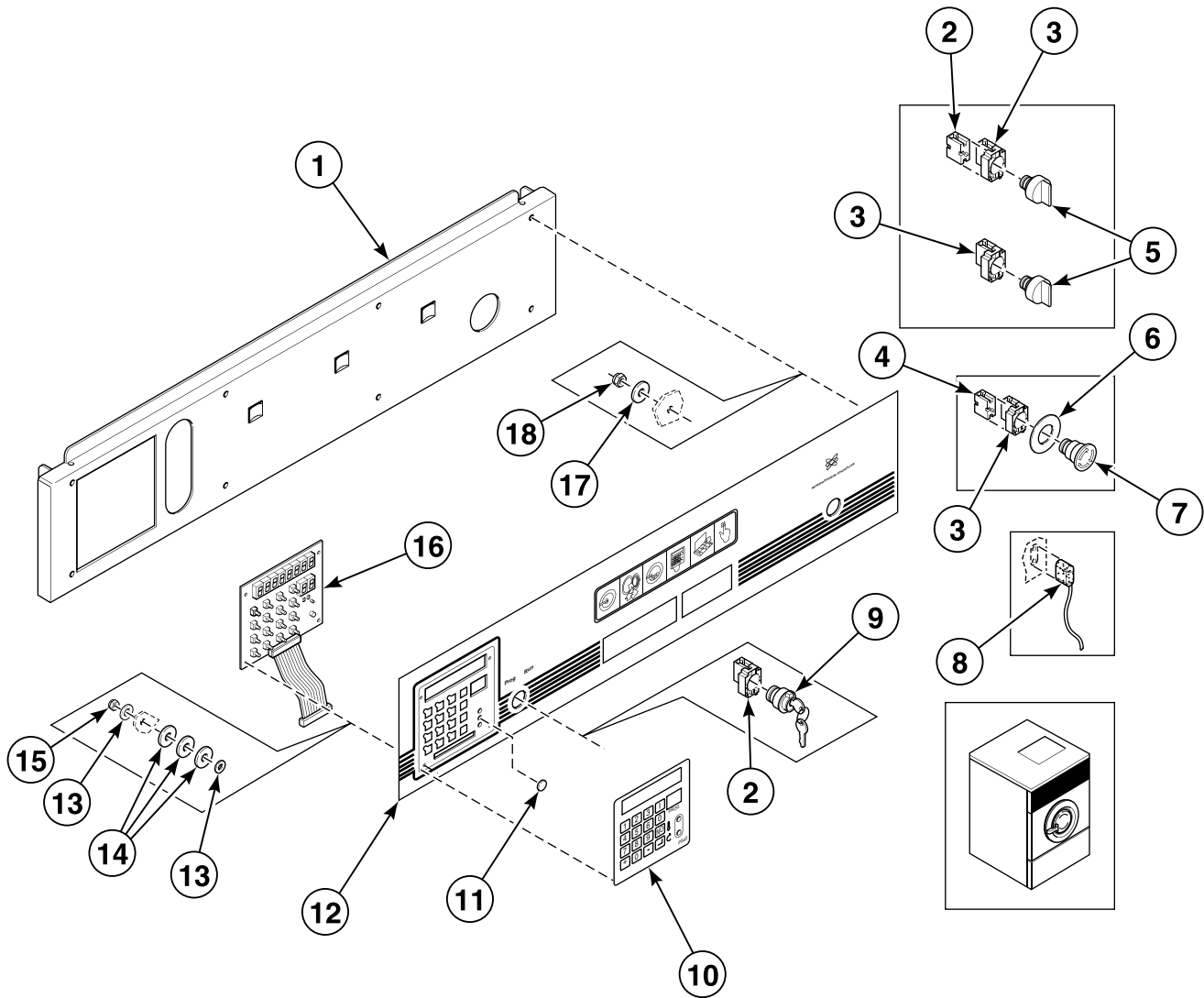
BE000554P\_D0244

## Control Panel - PS40F

REF	PART NO.	DESCRIPTION	COMMENTS
1	229/00262/00	Circuit Board Cover	
2	B12351701	Main Board	
3	229/00255/00	Insulating Sticker	
4	204/00114/00	Nut	
5	211/00122/00	Standoff	
6	209/00099/26	Contact Switch	
7	209/00248/20	Mushroom Pushbutton	
8	209/00520/00	Telem Sticker	
9	209/00099/25	Switch Base	
10	209/00099/29	Switch Knob	
11	111/00221/50	Upper Front Panel	
12	201/00008/00	Washer	
13	209/00552/01	Keypad	
14	225/00274/00	Front Panel	
15	209/00326/20	Programming Key Contact Switch	
16	210/00902/00	Infrared Cable	
17	225/00365/00	Overlay	
18	202/00120/00	Metal Disc	
19	223/00123/00	Washer	
20	223/00051/10	Washer	
21	204/00116/00	Nut	
22	209/00372/01	Fuse	

# Control Panel - PS40

Model WE234\_PS40

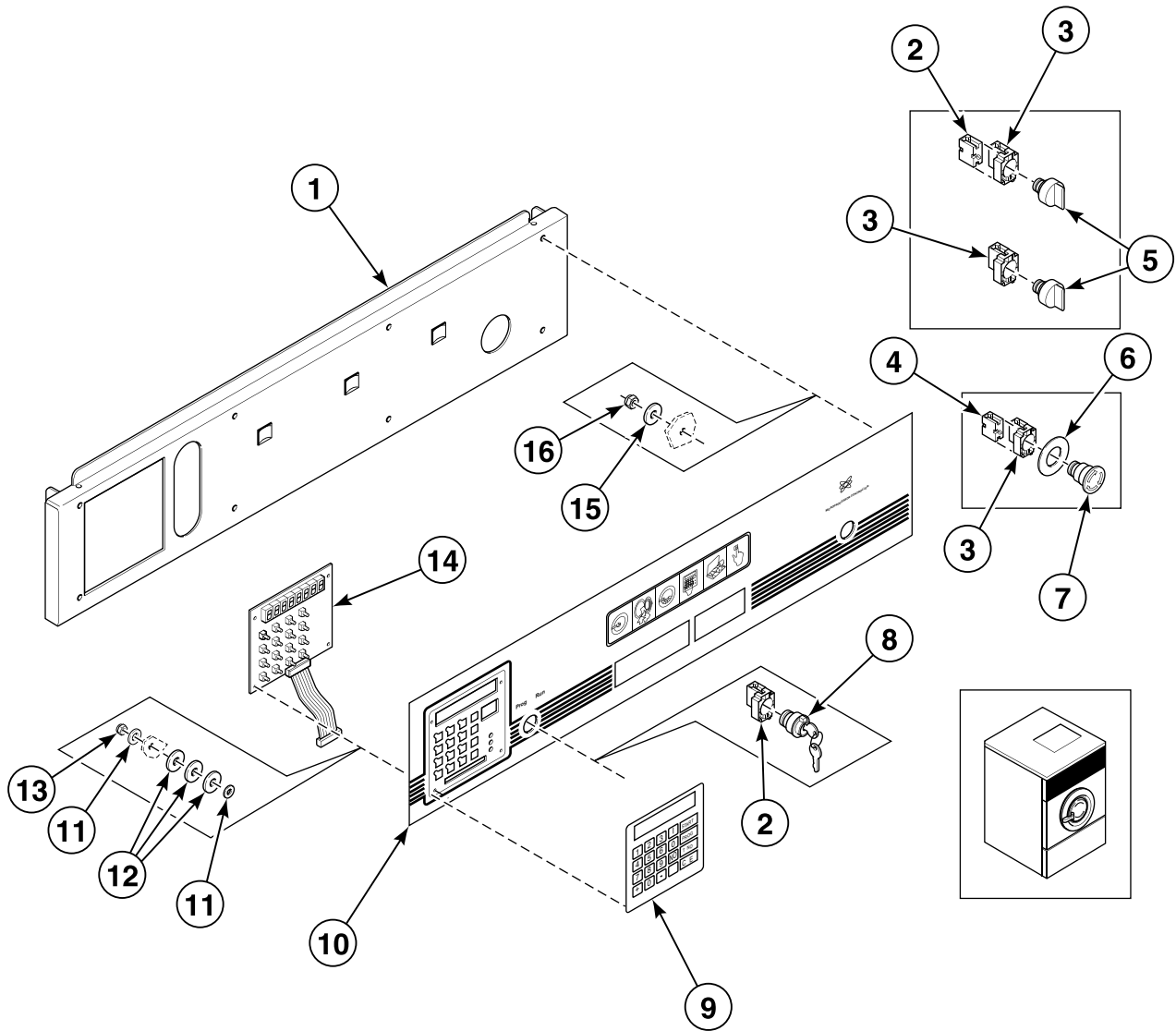


BE000368P\_D0244

## Control Panel - PS40

REF	PART NO.	DESCRIPTION	COMMENTS
1	111/00218/00	Front Panel	
2	209/00099/05	Contact	
3	209/00253/00	Emergency Stop Button Kit	
4	209/00099/26	Contact Switch	
5	209/00099/09	Button	
6	209/00520/00	Telem Sticker	
7	209/00248/00	Mushroom Pushbutton	
8	210/00902/00	Infrared Cable	
9	209/00326/00	Programming Switch	
10	225/00365/00	Overlay	
11	202/00120/00	Metal Disc	
12	225/00302/00	Front Panel	
13	223/00123/00	Washer	
14	223/00051/10	Washer	
15	204/00116/00	Nut	
16	209/00505/01	Keypad Controller	
17	201/00008/00	Washer	
18	204/00114/00	Nut	

# Control Panel - PC30

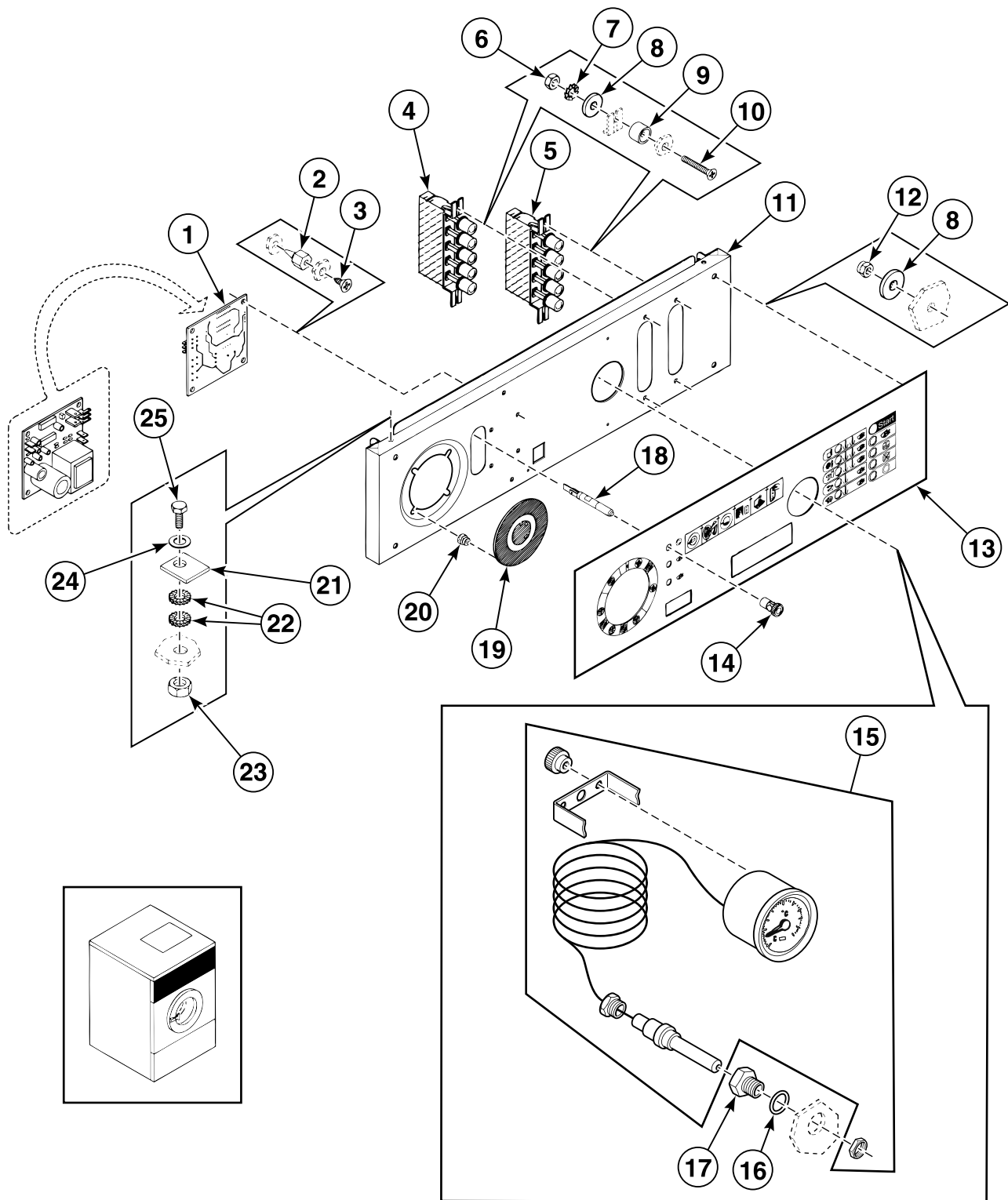


BE000388P\_D0244

## Control Panel - PC30

REF	PART NO.	DESCRIPTION	COMMENTS
1	111/00218/00	Front Panel	
2	209/00099/05	Contact	
3	209/00253/00	Emergency Stop Button Kit	
4	209/00099/26	Contact Switch	
5	209/00099/09	Button	
6	209/00520/00	Telem Sticker	
7	209/00248/00	Mushroom Pushbutton	
8	209/00326/00	Programming Switch	
9	229/00245/00	Label	
10	225/00302/00	Front Panel	
11	223/00123/00	Washer	
12	223/00051/10	Washer	
13	204/00116/00	Nut	
14	209/00323/01	Keyboard	
15	201/00008/00	Washer	
16	204/00114/00	Nut	

# Control Panel - 10-Button Mechanical Timer



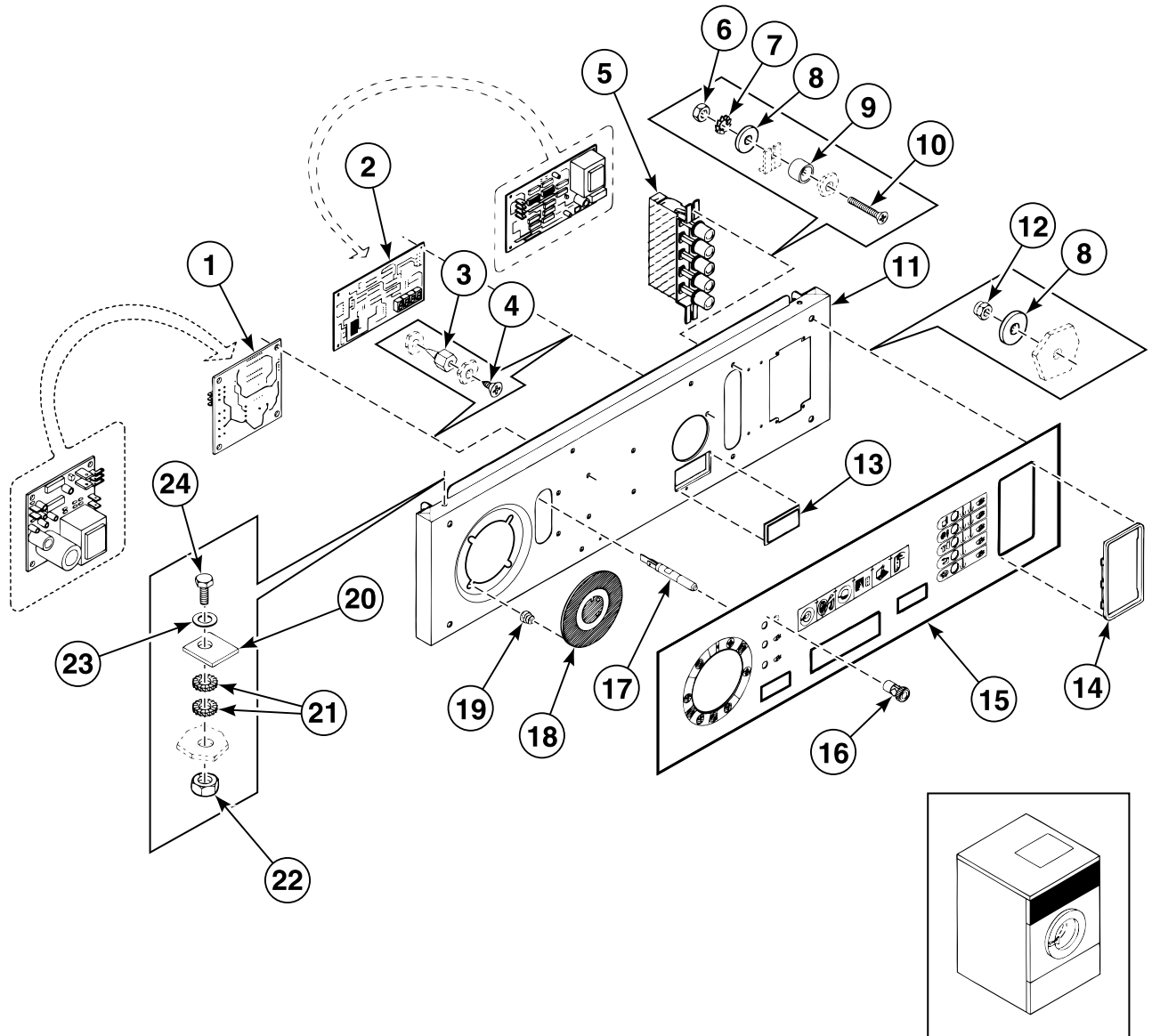
BE000386P\_D0244



## Control Panel - 10-Button Mechanical Timer

REF	PART NO.	DESCRIPTION	COMMENTS
1	209/00275/05	Door Lock Board	115 Volt
	209/00275/04	Door Lock Board	230 Volt
2	211/00125/00	Printboard Separator	
3	208/00024/00	Screw	
4	209/00176/00	Selector Switch	
5	209/00175/00	Selector Switch	
6	204/00007/00	Nut	
7	203/00006/00	Washer	
8	201/00008/00	Washer	
9	211/10156/00	Program Switch Separator	
10	207/00032/00	Screw	
11	111/00217/01	Front Panel	
12	204/00114/00	Nut	
13	225/00280/ABL	Facia Panel	
14	209/00152/00	Lens Cover	Red
	209/00154/00	Lens Cover	Orange
15	211/00115/00	Thermostat	
16	223/00065/01	Washer	
17	223/00065/00	Thermostat Seal	
18	209/00151/00	Lamp	
19	225/00078/00	Program Indicator	
20	225/10023/00	Fastener	
21	117/00042/00	Retaining Ring	
22	203/00005/00	Washer	
23	204/00006/00	Nut	
24	202/00003/00	Washer	
25	205/00106/00	Bolt	

# Control Panel - 5-Button Mechanical Timer

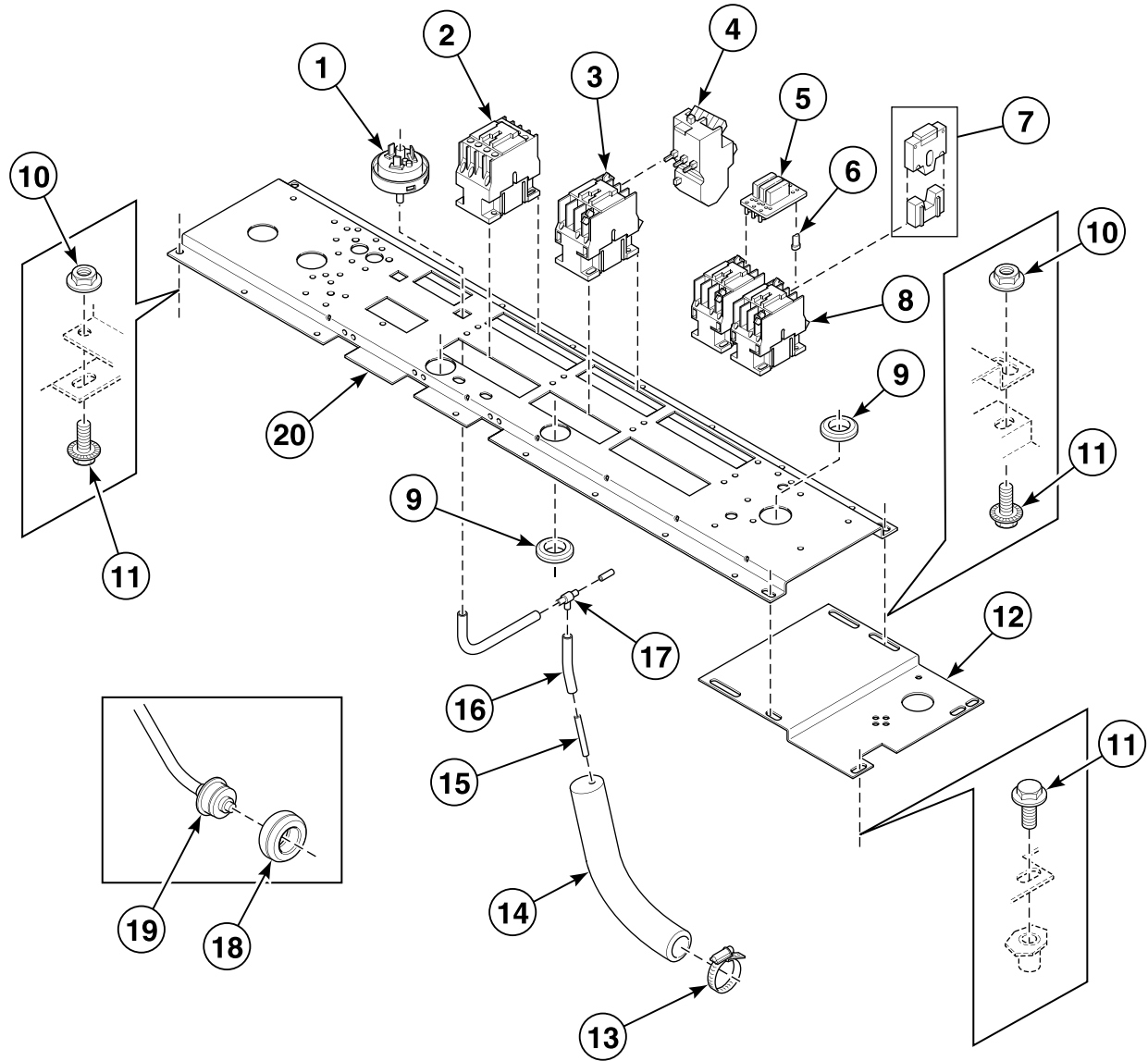


BE000385P\_D0244

## Control Panel - 5-Button Mechanical Timer

REF	PART NO.	DESCRIPTION	COMMENTS
1	209/00275/05	Door Lock Board	115 Volt
	209/00275/04	Door Lock Board	230 Volt
2	209/00281/00	Print Display	120 Volt
	209/00217/00	Coin Display	220 Volt
3	211/00125/00	Printboard Separator	
4	208/00024/00	Screw	
5	209/00175/00	Selector Switch	
6	204/00007/00	Nut	
7	203/00006/00	Washer	
8	201/00008/00	Washer	
9	211/10156/00	Program Switch Separator	
10	207/00032/00	Screw	
11	111/00217/02	Front Panel	
12	204/00114/00	Nut	
13	223/10066/00	Display	
14	225/00020/00	Coin Meter Frame	
15	225/00319/ABL	Facia Panel	
16	209/00152/00	Lens Cover	Red
	209/00154/00	Lens Cover	Orange
17	209/00151/00	Lamp	
18	225/00078/00	Program Indicator	
19	225/10023/00	Fastener	
20	117/00042/00	Retaining Ring	
21	203/00005/00	Washer	
22	204/00006/00	Nut	
23	202/00003/00	Washer	
24	205/00106/00	Bolt	

# Electrical Component Mounting Plate - Micro 20 with Inverter Drive

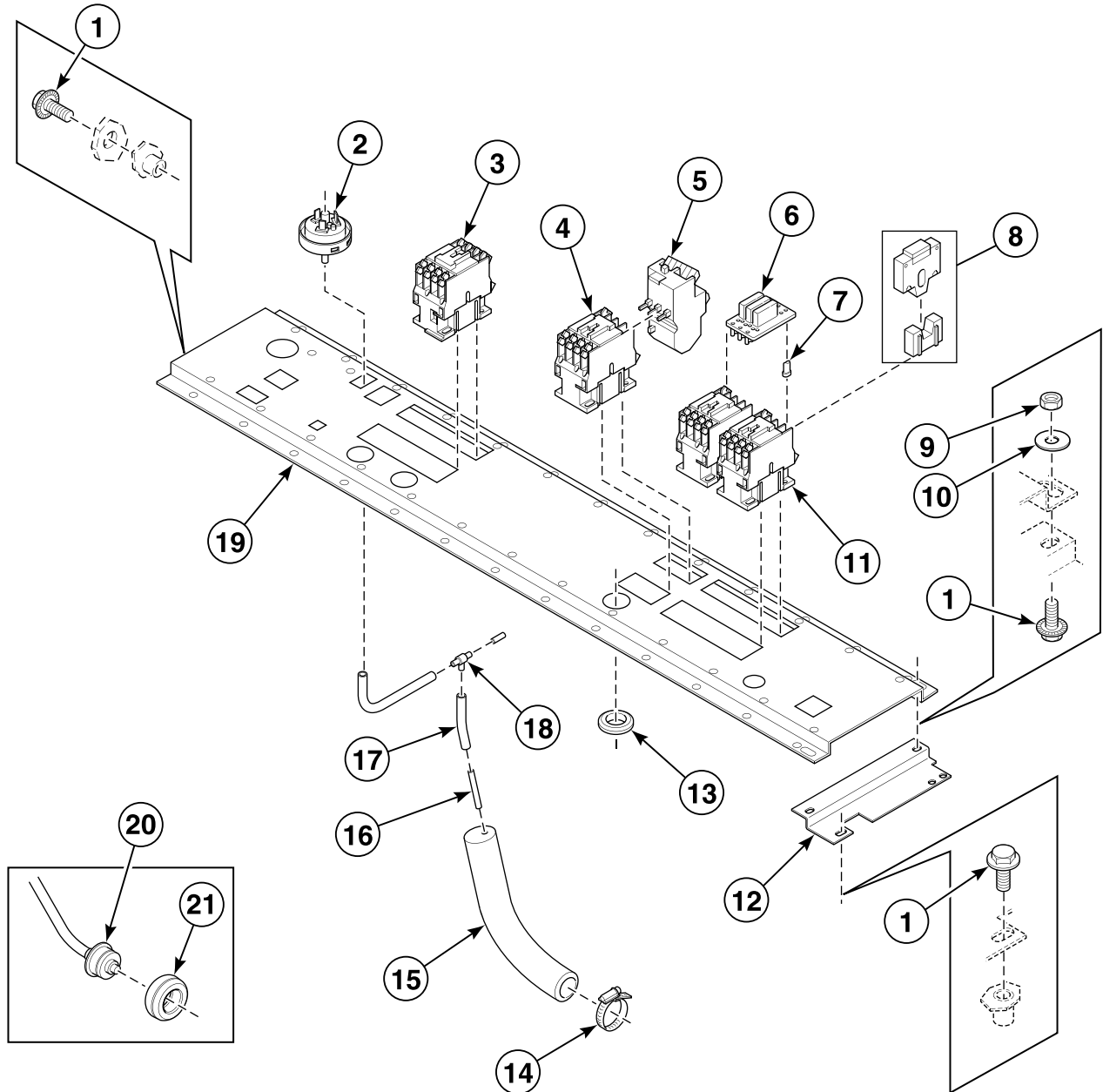


BE000370P\_D0244

# Electrical Component Mounting Plate - Micro 20 with Inverter Drive

REF	PART NO.	DESCRIPTION	COMMENTS
1	209/00007/50	Pressure Switch	
2	209/00148/02	Contactactor	LC1D1810M7
	209/00041/04	Contactactor	LC1D0901M7; Heating
3	209/00041/05	Contactactor	
4	209/00264/00	Protector	
5	209/00265/00	Protector	
6	209/00452/01	Printboard	
7	209/00279/00	Lock	
8	209/00041/03	Contactactor	
9	223/00198/00	Grommet	
10	206/00101/00	Nut	
11	206/00099/00	Bolt	
12	140/00021/00	Electrical Component Extension Plate	
13	223/00011/00	Hose Clamp	
14	223/00015/00	Level Switch Elbow	
15	223/00016/00	Hose Barb	
16	223/00082/00	Pressure Hose	
17	223/00179/10	Pressure Hose	
18	225/10004/00	Thermostat Seal	
19	209/00309/02	Thermostat Assembly	
20	111/00197/00	Mounting Plate	

# Electrical Component Mounting Plate - Micro 20 without Inverter Drive

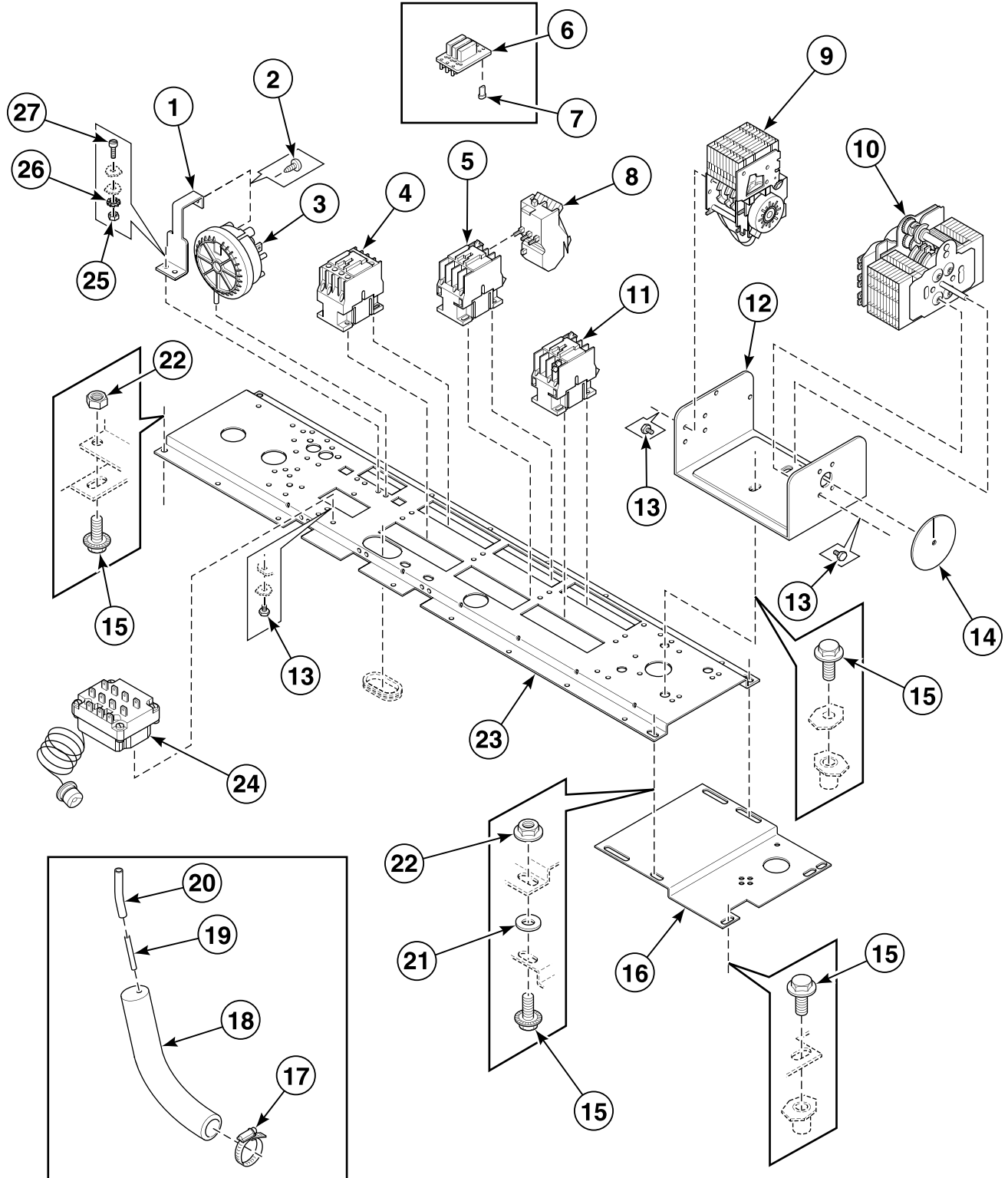


BE000384P\_D0244

## Electrical Component Mounting Plate - Micro 20 without Inverter Drive

REF	PART NO.	DESCRIPTION	COMMENTS
1	206/00099/00	Bolt	
2	209/00007/50	Pressure Switch	
3	209/00148/02	Contactactor	LC1D1810M7
	209/00041/04	Contactactor	LC1D0901M7; Heating
4	209/00041/05	Contactactor	LR2-D13109; 4-6A
5	209/00264/00	Protector	LR2-D13149; 7-10A
	209/00265/00	Protector	
6	209/00452/01	Printboard	
7	209/00452/02	Lug Holder	
8	209/00279/00	Lock	
9	204/00005/00	Nut	
10	201/00007/00	Washer	
11	209/00041/03	Contactactor	
12	111/00124/00	Mounting Plate	
13	223/00198/00	Grommet	
14	223/00011/00	Hose Clamp	
15	223/00015/00	Level Switch Elbow	
16	223/00016/00	Hose Barb	
17	223/00082/00	Pressure Hose	
18	223/00173/10	Pressure Switch Hose Tee	
19	111/00197/00	Mounting Plate	
20	209/00309/02	Thermostat Assembly	
21	225/10004/00	Thermostat Seal	

# Electrical Component Mounting Plate - Mechanical Timer



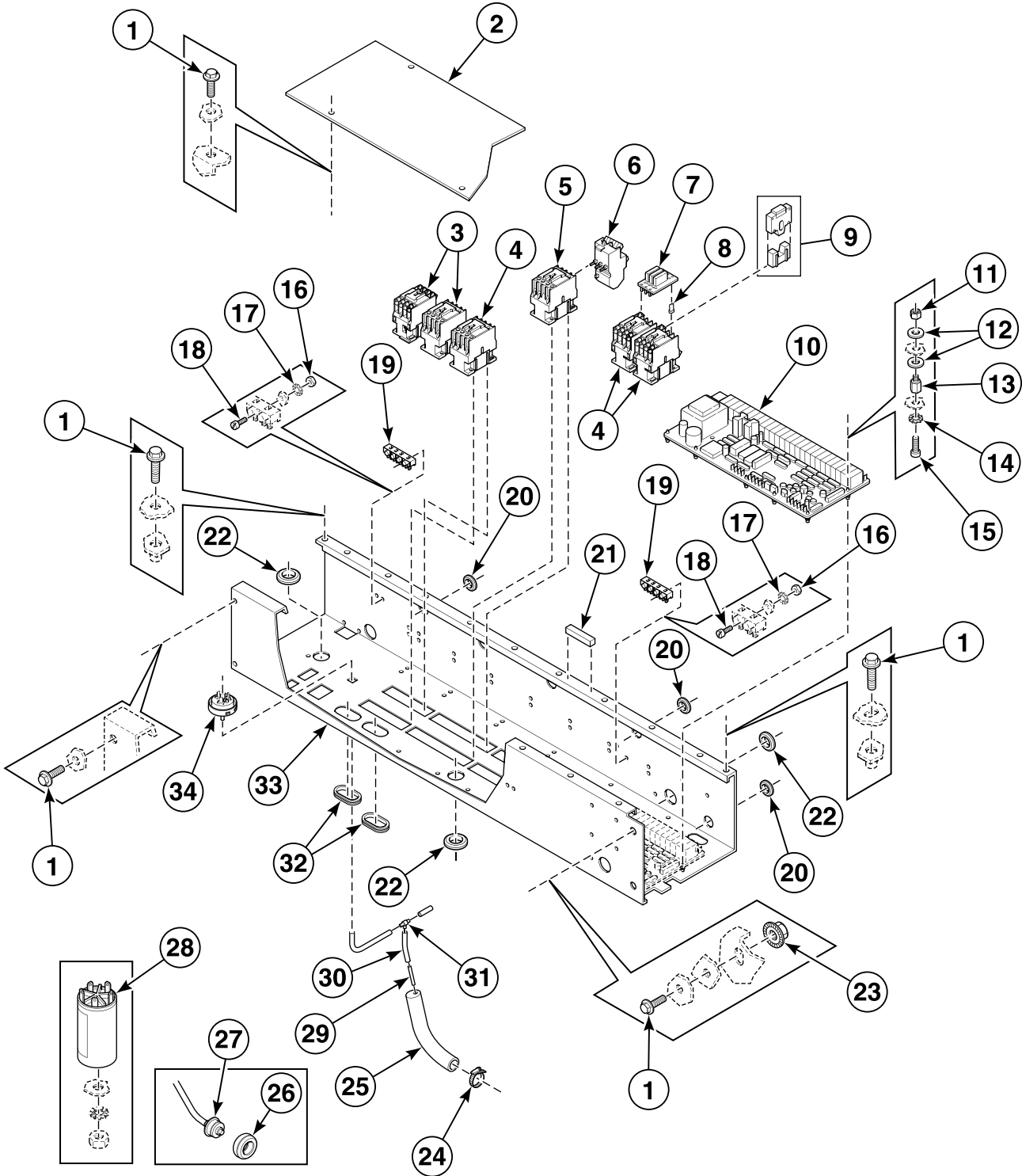
BE000383P\_D0244



## Electrical Component Mounting Plate - Mechanical Timer

REF	PART NO.	DESCRIPTION	COMMENTS
1	111/00424/00	Pressure Switch Bracket	
2	208/00007/00	Screw	
3	209/00007/30	Pressure Switch	
4	209/00148/02	Contactactor	LC1D1810M7
	209/00041/04	Contactactor	LC1D0901M7; Heating
5	209/00041/05	Contactactor	
6	209/00452/01	Printboard	
7	209/00452/02	Lug Holder	
8	209/00264/00	Protector	LR2-D13109; 4-6A
	209/00265/00	Protector	LR2-D13149; 7-10A
9	209/00012/00	Reversing Timer	220 Volt/50 Hertz
	209/00013/00	Reversing Timer	220 Volt/60 Hertz
10	209/00106/00	Timer	220 Volt/50 Hertz
	209/00107/00	Timer	220 Volt/60 Hertz
11	209/00041/03	Contactactor	
12	111/00016/00	Mounting Plate	
13	206/00021/00	Screw	
14	225/00001/00	Program Indicator	
15	206/00099/00	Bolt	
16	140/00021/00	Electrical Component Extension Plate	
17	223/00011/00	Hose Clamp	
18	223/00015/00	Level Switch Elbow	
19	223/00016/00	Hose Barb	
20	223/00082/00	Pressure Hose	
21	201/00006/00	Washer	
22	206/00101/00	Nut	
23	111/00197/00	Mounting Plate	
24	209/00243/00	Thermostat	
25	204/00007/00	Nut	
26	203/00006/00	Washer	
27	207/00008/00	Screw	

# Electrical Component Mounting Plate - PC30, PS40 and PS40F

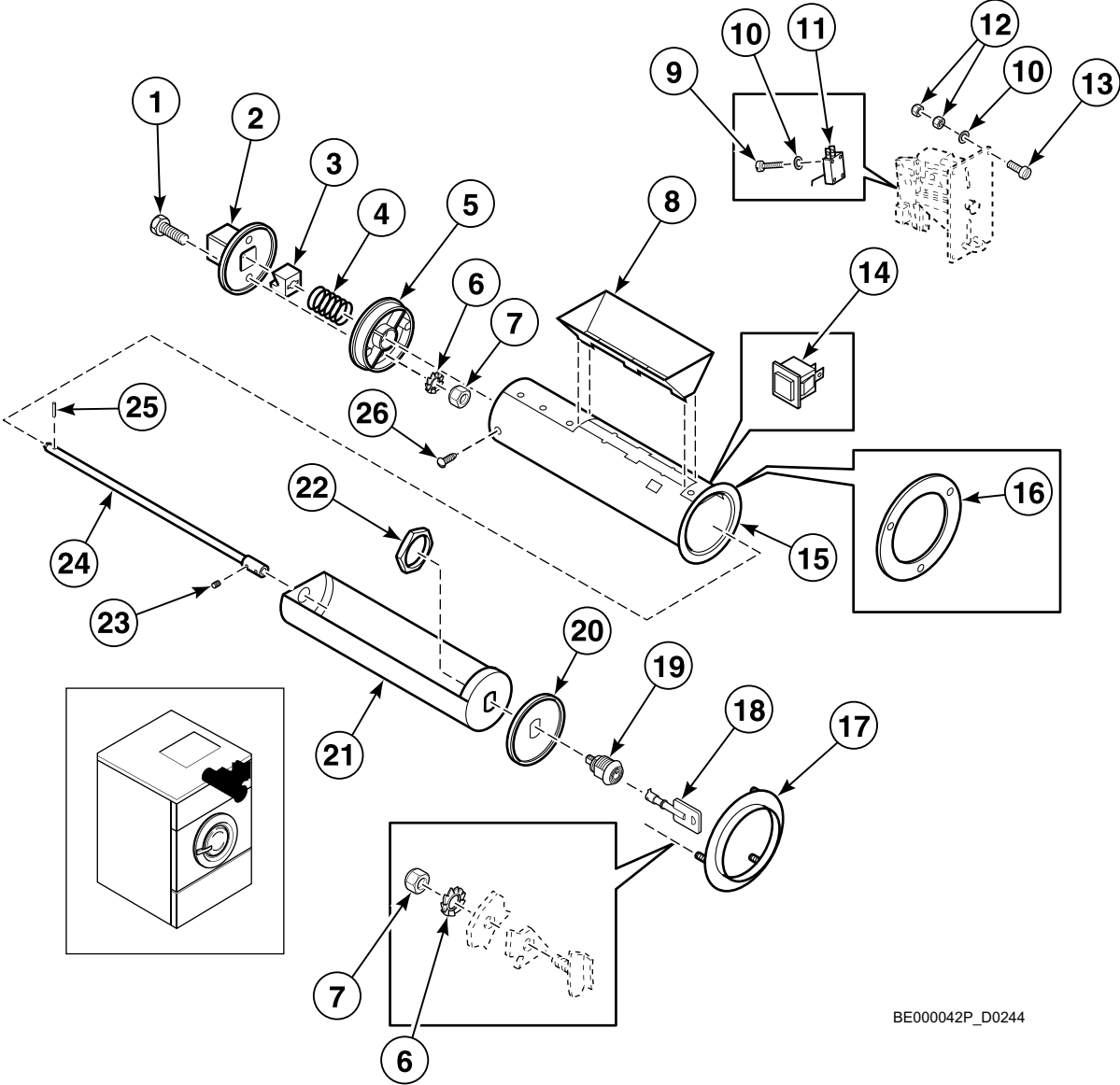


BE000389P\_D0244

# Electrical Component Mounting Plate - PC30, PS40 and PS40F

REF	PART NO.	DESCRIPTION	COMMENTS
1	206/00099/00	Bolt	
2	111/00175/01	Cover Plate	
3	209/00148/02	Contactactor	
4	209/00041/03	Contactactor	
5	209/00041/05	Contactactor	
6	209/00264/00	Protector	LR2-D13109; 4-6A
	209/00265/00	Protector	LR2-D13149; 7-10A
7	209/00452/01	Printboard	
8	209/00452/02	Lug Holder	
9	209/00279/00	Lock	
10	209/00323/02	Printboard	Model WE234_PC30
	209/00505/02	Printboard	Model WE234_PS40; 230 Volt
	209/00542/02	Printboard	Model WE234_PS40; 115 Volt
11	204/00116/00	Nut	
12	223/00123/00	Washer	
13	206/00141/00	Separator	
14	203/00007/00	Washer	
15	207/00135/00	Screw	
16	204/00007/00	Nut	
17	203/00006/00	Washer	
18	207/00008/00	Screw	
19	209/00005/00	Terminal Block	
20	223/00174/00	Grommet	
21	246/00092/00	Gasket	
22	223/00198/00	Grommet	
23	206/00105/00	Nut	
24	223/00011/00	Hose Clamp	
25	223/00210/00	Pressure Switch Elbow	
26	225/10004/00	Thermostat Seal	
27	209/00266/08	Thermostat	
28	252/00032/00	Filter	
29	223/00016/00	Hose Barb	
30	223/00212/00	Pressure Switch Hose	
31	223/00173/10	Pressure Switch Hose Tee	
32	223/00203/00	Grommet	
33	111/00256/00	Electrical Component Assembly	
34	209/00007/50	Pressure Switch	

# Coin Vault

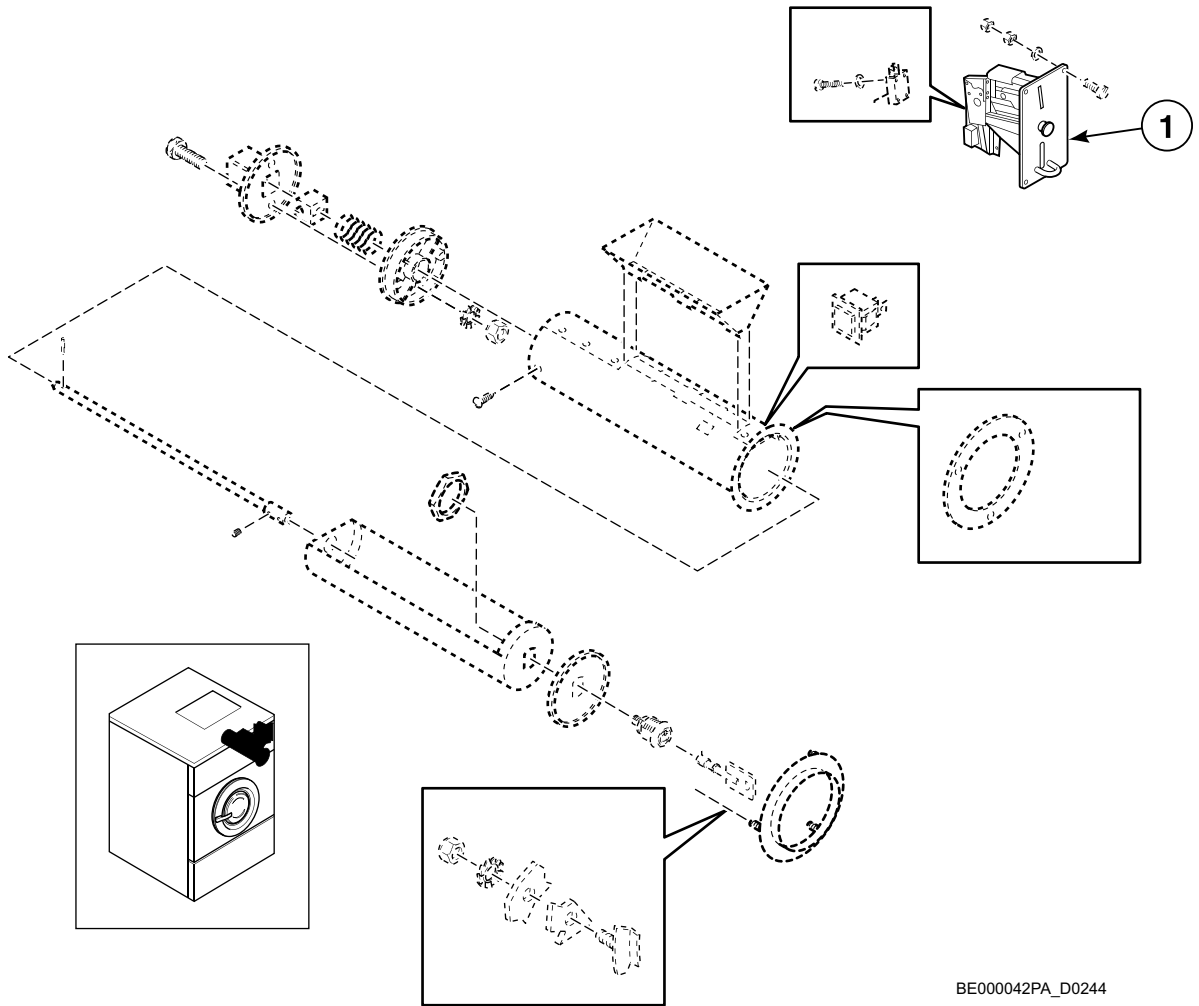


BE000042P\_D0244

# Coin Vault

REF	PART NO.	DESCRIPTION	COMMENTS
1	206/00033/00	Bolt	
2	211/00070/01	Outer Cabinet Lock	
3	211/00070/02	Washer	
4	211/00070/04	Spring	
5	211/00070/03	Inner Coin Box	
6	203/00004/00	Washer	
7	204/00005/00	Nut	
8	211/00071/00	Coin Box	
9	207/00009/00	Screw	
10	203/00007/00	Washer	
11	209/00060/12	Coin Drop Microswitch	
12	204/00008/00	Nut	
13	207/00108/00	Screw	
14	209/00396/00	Pushbutton	
15	211/00100/00	Outer Coin Box	
16	111/00100/00	Coin Box Ring Assembly	
17	111/00066/00	Coin Box Ring	
18	211/00065/02	Coin Box Key	
19	211/00065/00	Coin Box Lock	
20	111/00068/00	Front Plate	
21	211/00101/00	Coin Box	
22	211/00065/01	Nut	
23	206/00038/00	Screw	
24	111/00069/00	Spindle	
25	208/00013/00	Roll Pin	
26	208/00007/00	Screw	

# Coin Meter (Drawing 1 of 2)

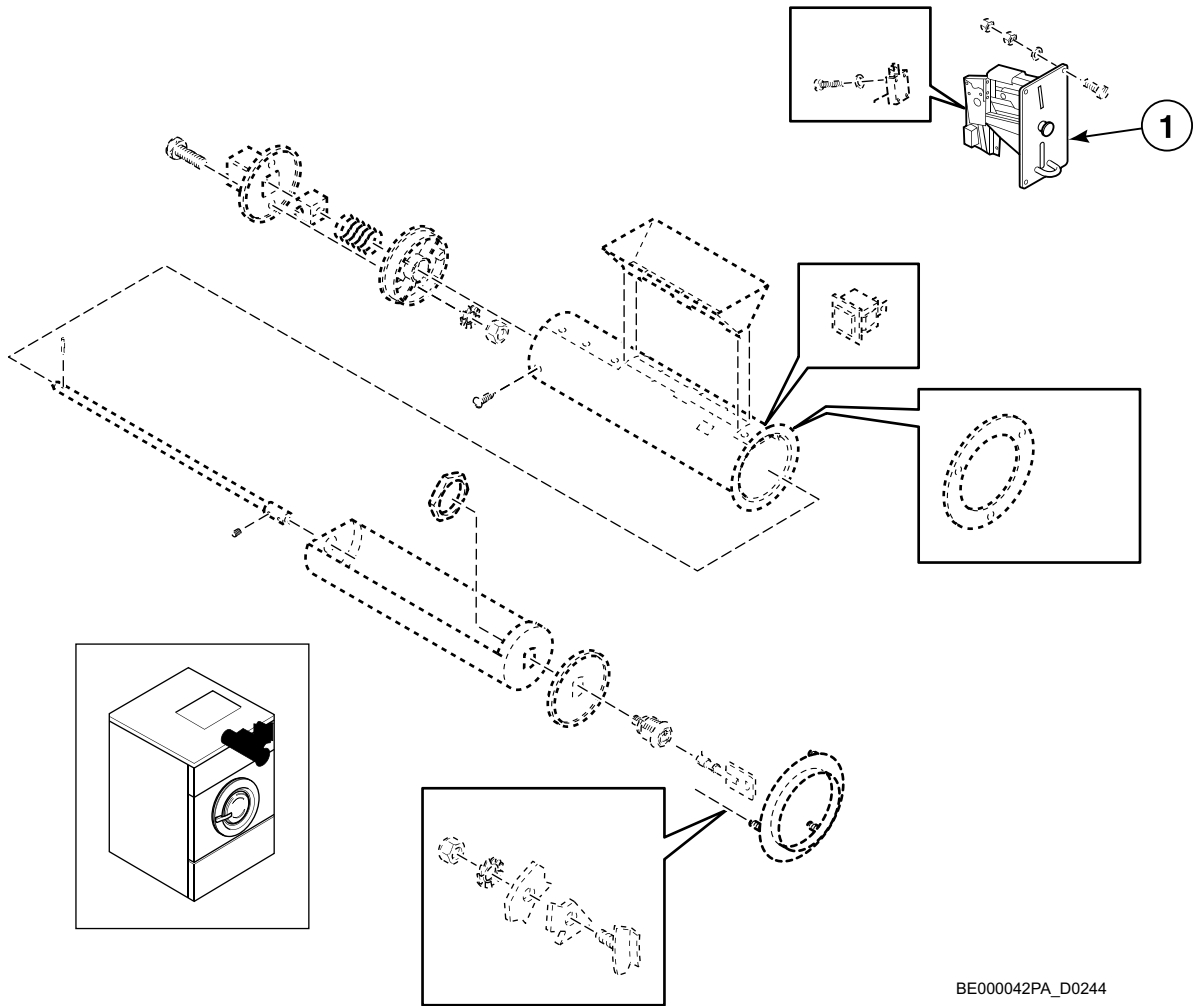


BE000042PA\_D0244

## Coin Meter (Drawing 1 of 2)

REF	PART NO.	DESCRIPTION	COMMENTS
1	209/00389/00	Coin Meter	.10 euro
	209/00388/00	Coin Meter	.20 euro
	209/00387/00	Coin Meter	.50 euro
	209/00390/00	Coin Meter	1 euro
	209/00391/00	Coin Meter	1 euro (LVN)
	209/00119/00	Coin Meter	.50 and .20 euro
	209/00120/00	Coin Meter	1 and .20 euro
	209/00166/00	Coin Meter	1 and .50 euro
	209/00576/00	Coin Meter	2 and .50 euro
	209/00111/00	Coin Meter	\$0.25
	209/00111/10	Coin Meter	\$0.25; Laundercenter
	209/00215/00	Coin Meter	.25 Hfl and 1 Hfl
	209/00414/00	Coin Meter	Canada; .25 and 1.00
	209/00214/00	Coin Meter	.25 Hfl
	209/00378/00	Coin Meter	Australia; 1 and 2
	209/00229/00	Coin Meter	Australia; 1 and .20
	209/00403/00	Coin Meter	1 fim and 5 fim
	209/00065/00	Coin Meter	Hong Kong; 1
	209/00418/00	Coin Meter	Malaysia; 1
	209/00364/00	Coin Meter	U.K.; 1 pound and 20 pence
	209/00437/00	Coin Meter	1 rand and 2 rand
	209/00442/00	Coin Meter	1 shekel and 5 shekel
	209/00375/00	Coin Meter	Singapore; 1
	209/00383/00	Coin Meter	New Zealand; 2 and 1
	209/00500/00	Coin Meter	5 Mdh and 10 Mdh
	209/00404/00	Coin Meter	5 NoCr and 10 NoCr
	209/00215/01	Coin Meter	1 Hfl
	209/00402/08	Coin Meter	10 dek and 2 dek
	209/00460/00	Coin Meter	2 dek
	209/00064/00	Coin Meter	Australia; .20
	209/10215/00	Coin Meter	5 Hfl and 1 Hfl
	209/00415/00	Coin Meter	Hong Kong; 5
	209/00501/00	Coin Meter	50 kronur and 100 kronur
	209/00402/01	Coin Meter	Token; .800
	209/00402/03	Coin Meter	Token
	209/00402/07	Coin Meter	Token; Wash Club
	209/00428/00	Coin Meter	Token; Custruzione
	209/00502/00	Coin Meter	Token; Small Mueller
	209/00402/04	Coin Meter	Token; Prinz; 28 x 2.7 mm
	209/00402/02	Coin Meter	Token; Prinz; 22.85 x 2.1 mm
	209/00407/00	Coin Meter	Token; Prinz; 26 x 2.05 mm

# Coin Meter (Drawing 2 of 2)



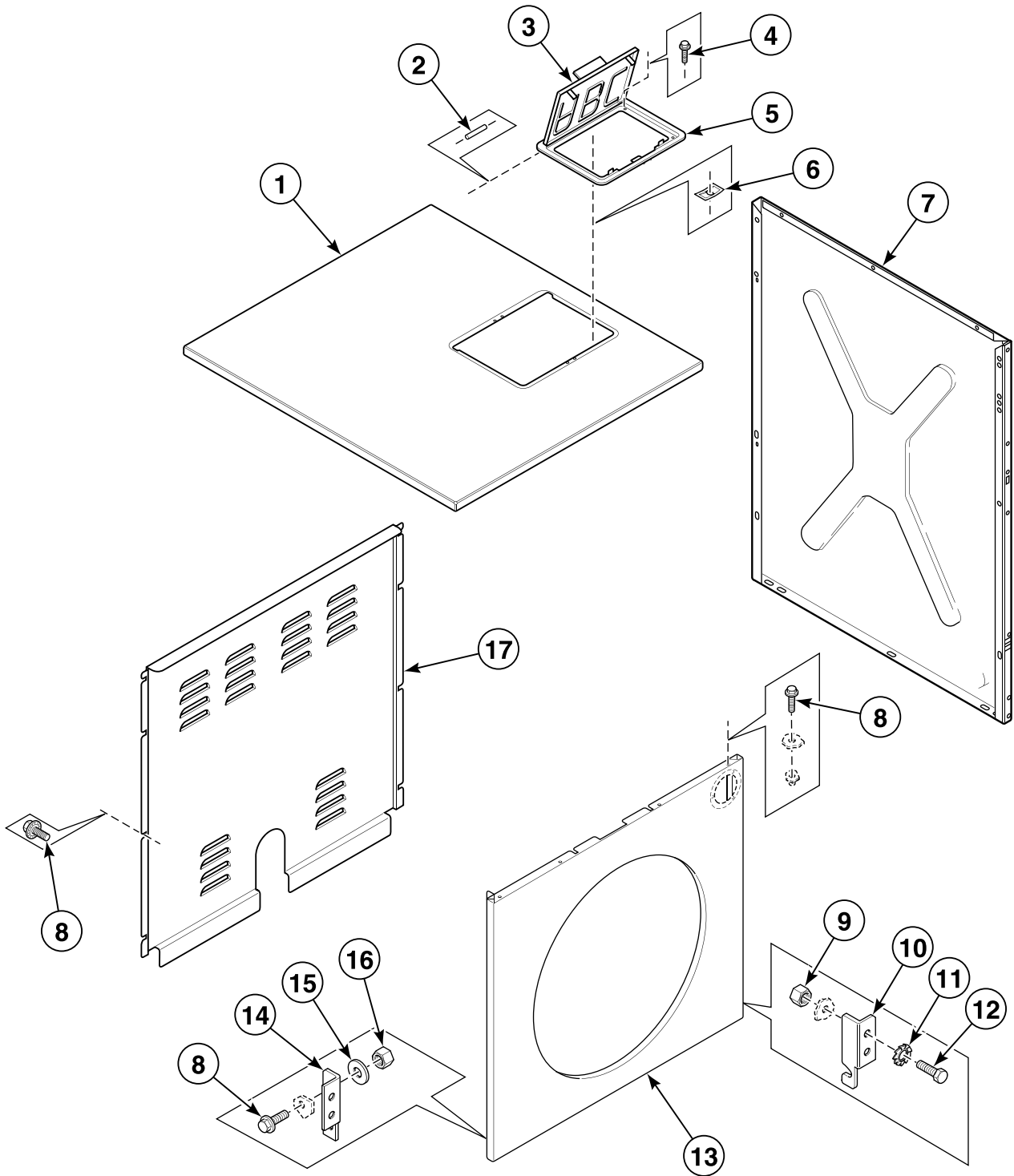
BE000042PA\_D0244



## Coin Meter (Drawing 2 of 2)

REF	PART NO.	DESCRIPTION	COMMENTS
1	209/00469/00	Coin Meter	Electronic coin meter; NRI
	209/00216/00	Coin Meter	100 yen
	209/00278/00	Coin Meter	100 yen and 500 yen
	209/00373/00	Coin Meter	500 won
	209/00522/00	Coin Meter	Trenner
	209/00060/00	Coin Drop	Token; 5K
	209/00061/00	Coin Meter	Token; 7K
	209/00068/00	Coin Meter	Token; 10K
	209/00069/00	Coin Meter	Token; 12K
	209/00070/00	Coin Meter	Token; 15K
	209/00122/00	Coin Meter	Token; Boissevain
	209/00411/00	Coin Meter	Token; Carsen
	209/00156/00	Coin Meter	Token; Gettone per
	209/00121/00	Coin Meter	Profiled token
	209/00062/00	Coin Meter	Token; Vasketeria
	209/00161/00	Coin Meter	1 dek
	209/00158/00	Coin Meter	1 rail
	209/00160/00	Coin Meter	5 dek
	209/00269/00	Coin Meter	100 won and 500 won
	209/00286/00	Coin Meter	Token; Blanc Club Lavage
	209/00296/00	Coin Meter	Token; Clean Wash
	209/00123/00	Coin Meter	Token; Jessernigg
	209/00162/00	Coin Meter	Token; Vasketeria and 5 DK
	209/00066/00	Coin Meter	Token; Vasketeria and 2 x 1 DK
	209/00072/00	Coin Meter	Token; Wascator
	209/00553/00	Coin Meter	U.S.; \$1.00 and .25
	209/00548/00	Coin Meter	100 pesetas and 25 pesetas

# Right Side, Front, Lower Rear and Top Panels

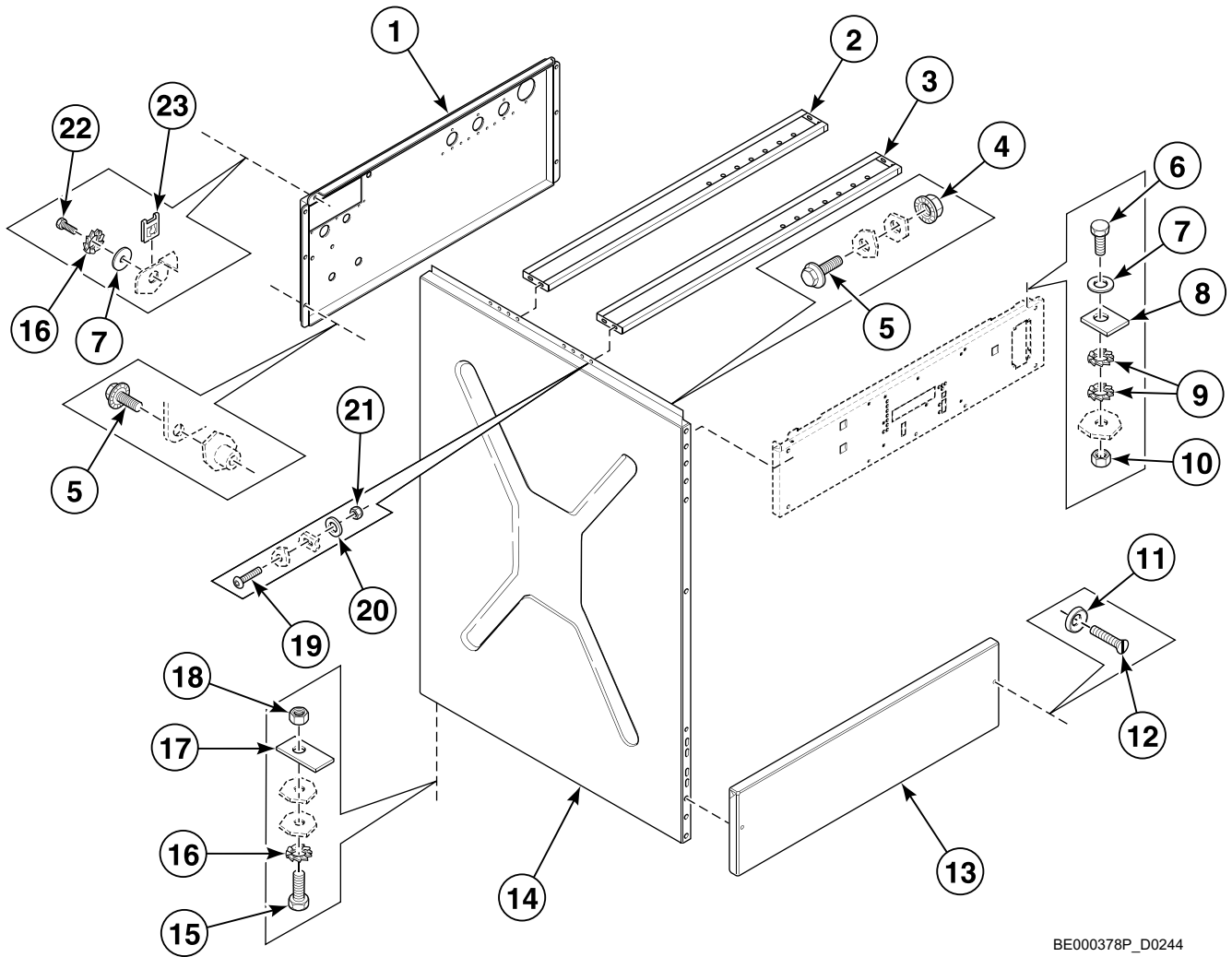


BE000379P\_D0244

## Right Side, Front, Lower Rear and Top Panels

REF	PART NO.	DESCRIPTION	COMMENTS
1	140/00045/01	Top Panel	Stainless steel
	140/03045/01	Top Panel	Epoxy
	140/00045/02	Top Panel	Stainless steel with lock
2	223/00103/04	Soap Dispenser Cover Hinge Rod	
3	223/00103/01	Soap Dispenser Cover	
4	207/00131/00	Bolt	
5	223/00103/03	Soap Dispenser Frame	
6	208/00104/00	Nut	
7	140/00007/00	Side Panel	Stainless steel
	140/03007/00	Side Panel	Epoxy
8	206/00099/00	Bolt	
9	204/00107/00	Nut	
10	111/00002/00	Hook	
11	203/00005/00	Washer	
12	206/00016/00	Bolt	
13	140/00006/01	Front Panel	Coin; Stainless steel
	140/00006/02	Front Panel	OPL; Stainless steel
	140/03006/01	Front Panel	Coin; Epoxy
14	111/00001/00	Hook	
15	201/00007/00	Washer	
16	204/00106/00	Nut	
17	140/00009/00	Rear Panel	

# Left Side, Lower Front and Upper Back Panels



BE000378P\_D0244

## Left Side, Lower Front and Upper Back Panels

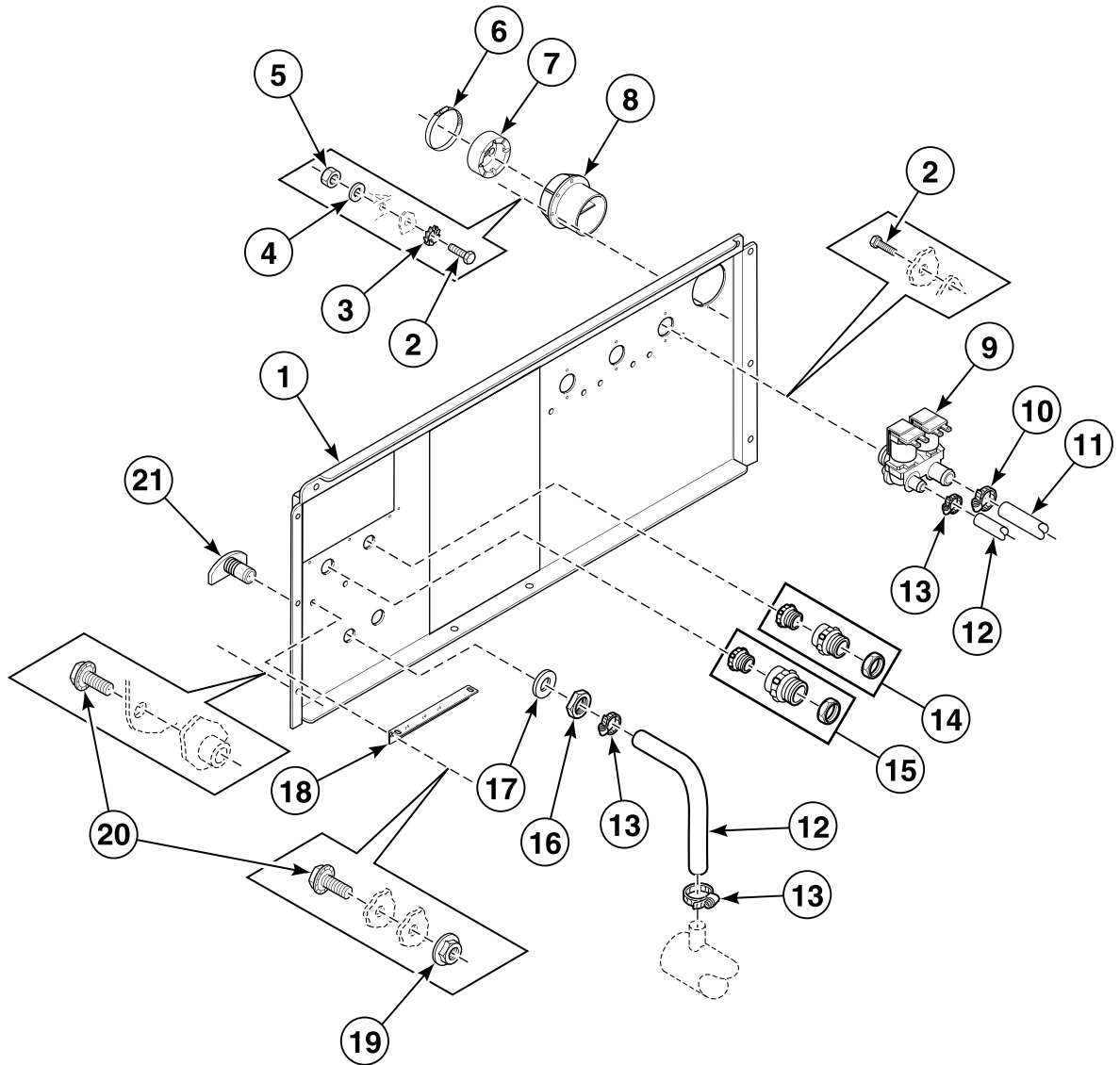
REF	PART NO.	DESCRIPTION	COMMENTS
1	111/01158/80	Upper Back Panel	
2	111/10102/00	Dispenser Rear Mounting Plate	
3	111/10101/00	Dispenser Front Mounting Plate	
4	206/00101/00	Nut	
5	206/00099/00	Bolt	
6	205/00106/00	Bolt	
7	202/00110/00	Washer	
8	117/00042/00	Retaining Ring	
9	203/00005/00	Washer	
10	204/00107/00	Nut	
11	208/00009/00	Washer	
12	207/00101/00	Screw	
13	140/00008/00	Lower Panel	Stainless steel
	140/03008/00	Lower Panel	Epoxy
14	140/00007/00	Side Panel	Stainless steel
	140/03007/00	Side Panel	Epoxy
15	205/00105/00	Bolt	M6 x 20
	205/00103/00	Bolt	M6 x 25
16	203/00004/00	Washer	
17	111/00063/00	Mounting Plate	
18	204/00106/00	Nut	
19	206/00027/00	Bolt	
20	202/00004/00	Washer	
21	204/00114/00	Nut	
22	208/00001/00	Screw	
23	208/00002/00	Nut	



## Upper Back Panel (Drawing 1 of 2)

REF	PART NO.	DESCRIPTION	COMMENTS
1	204/00007/00	Nut	
2	204/00006/00	Nut	
3	207/00031/00	Screw	
4	209/00058/00	Terminal Block	
5	203/00006/00	Washer	
6	211/00120/00	Standoff	
7	209/00218/03	Printboard	
8	209/00006/01	Ground Terminal	
9	209/00202/00	Fuse Holder	
10	209/00195/00	Fuse	
11	206/00027/00	Bolt	
12	223/00198/00	Grommet	
13	111/00426/01	Electrical Connection Cover	
14	205/00113/00	Bolt	
15	202/00004/00	Washer	
16	111/01158/80	Upper Back Panel	
17	209/00540/00	Network Connection Printboard	
18	111/00188/04	Electrical Connection Plate	
19	208/00017/00	Rivet	
20	209/00099/06	Contact Switch	
21	209/00253/00	Emergency Stop Button Kit	
22	209/00248/00	Mushroom Pushbutton	
23	209/00520/00	Telem Sticker	
24	229/00068/02	Electrical Connection Sticker	

# Upper Back Panel (Drawing 2 of 2)



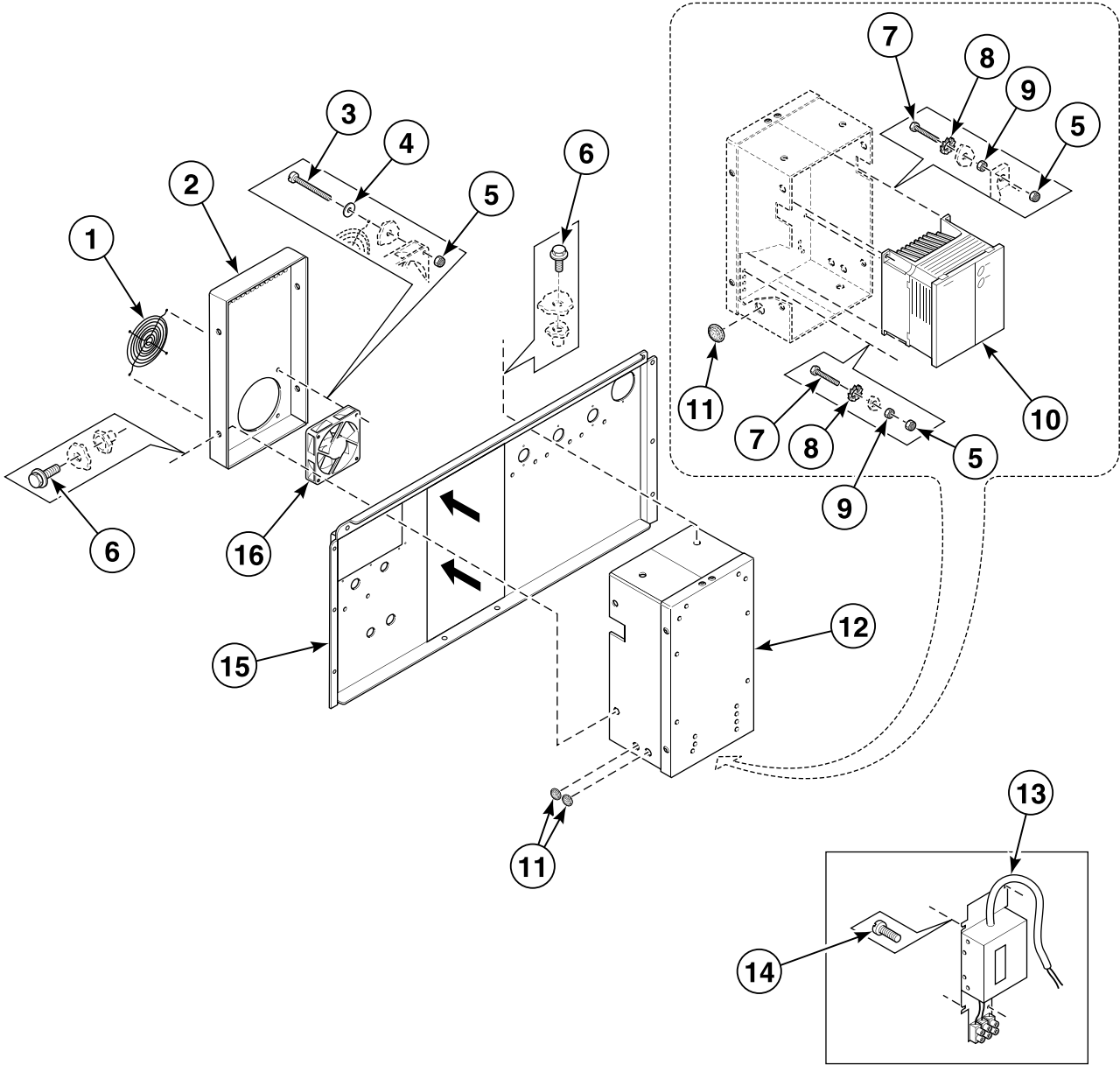
BE000373P\_D0244



## Upper Back Panel (Drawing 2 of 2)

REF	PART NO.	DESCRIPTION	COMMENTS
1	111/01158/30	Backbridge	
2	206/00027/00	Bolt	
3	203/00006/00	Washer	
4	202/00004/00	Washer	
5	204/00007/00	Nut	
6	223/00014/00	Hose Clamp	
7	223/00160/00	Liquid Soap Hose	
8	223/00102/07	Hose Vent	
9	209/00419/00	2-Way Inlet Valve	Standard thread
	209/00316/00	2-Way Inlet Valve	Metric thread
10	223/00011/00	Hose Clamp	
11	223/00059/00	Water Hose	
12	223/00044/00	Water Hose	
13	223/00010/00	Hose Clamp	
14	211/00123/00	Cordlock	
15	211/00138/00	Cordlock	
16	204/00201/00	Nut	
17	201/00002/00	Washer	
18	111/00198/01	Assembly Plate Support	
19	206/00101/00	Nut	
20	206/00099/00	Bolt	
21	223/00001/04	Prewash and Mainwash Nozzle	

# Inverter Drive

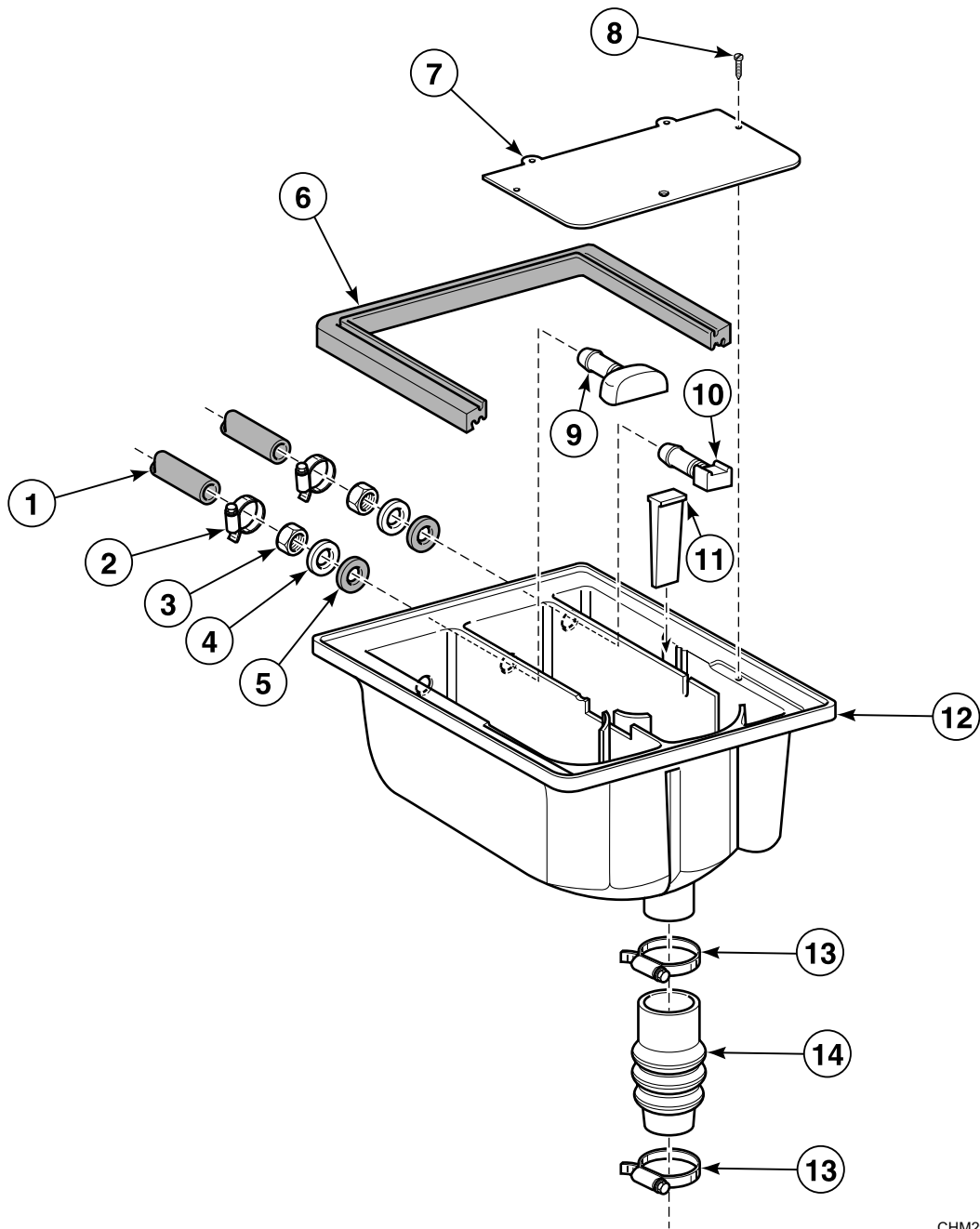


BE000371P\_D0244

## Inverter Drive

REF	PART NO.	DESCRIPTION	COMMENTS
	F8410901	Parameter Unit Assembly	Inverter mounted; Used with 500-series inverter drives
	227/00171/00	Parameter Unit Assembly	Hand held
1	209/00287/01	Fan Grill	
2	111/01158/11	Inverter Box Cover	
3	206/00136/00	Bolt	
4	202/00004/00	Washer	
5	204/00114/00	Nut	
6	206/00099/00	Bolt	
7	207/00031/00	Screw	
8	203/00006/00	Washer	
9	204/00007/00	Nut	
10	227/00230/00	Inverter	
11	223/00174/00	Grommet	
12	111/01149/00	Inverter Drive Box	
13	227/00165/00	Noise Filter	
14	207/00004/00	Screw	
15	111/01158/30	Backbridge	
16	209/00287/00	Cooling Fan	

# Supply Dispenser - Models Through 12/31/92 with 1.5 Inch Supply Dispenser Hose

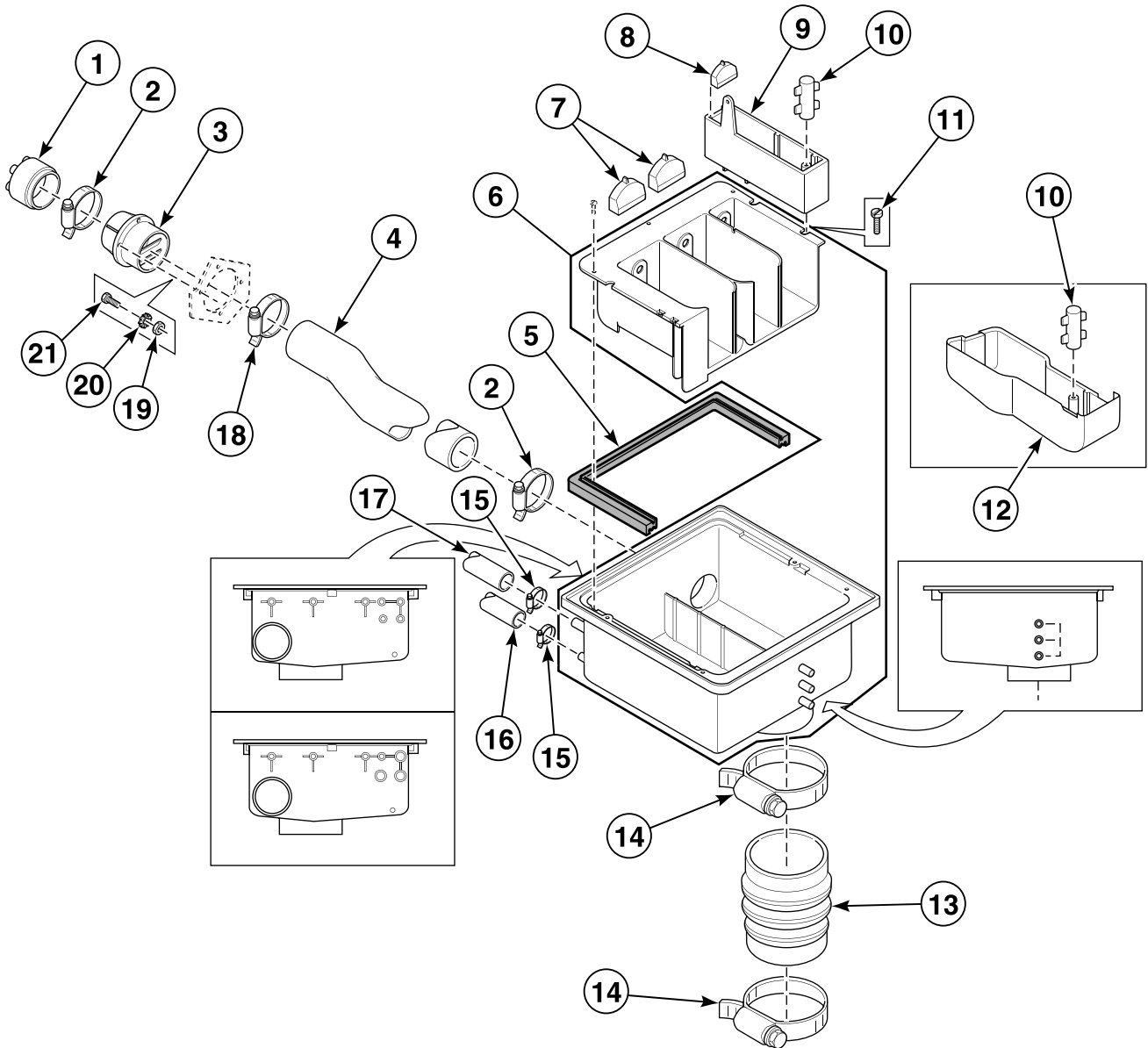


CHM2990P\_D0244

## Supply Dispenser - Models Through 12/31/92 with 1.5 Inch Supply Dispenser Hose

REF	PART NO.	DESCRIPTION	COMMENTS
1	223/00044/00	Water Hose	
2	223/00010/00	Hose Clamp	
3	204/00201/00	Nut	
4	201/00002/00	Washer	
5	223/00001/07	Washer	
6	223/00003/00	Lid Seal	
7	223/00001/06	Mounting Plate	
8	B12347501	Screw	
9	223/00001/04	Prewash and Mainwash Nozzle	
10	223/00001/05	Injector	
11	223/00001/03	Separator Plate	
12	223/00001/01	Soap Dispenser	
13	223/00013/00	Hose Clamp	
14	223/00007/00	Hose	

# Supply Dispenser - \*Models Through 12/31/92 with 4 Inch Supply Dispenser Hose

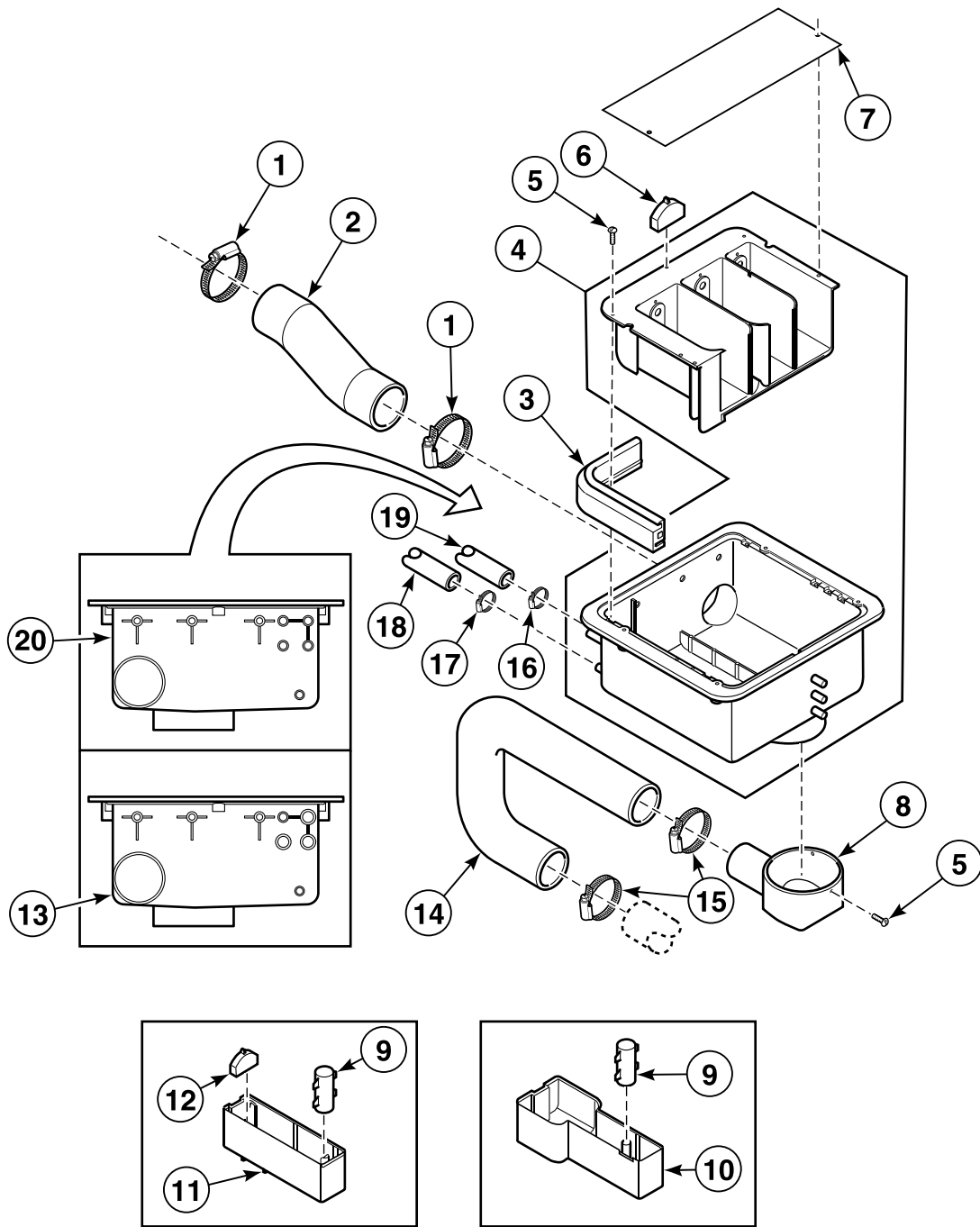


CHM2991P\_D0244

## Supply Dispenser - \*Models Through 12/31/92 with 4 Inch Supply Dispenser Hose

REF	PART NO.	DESCRIPTION	COMMENTS
1	223/00160/00	Liquid Soap Hose	
2	223/00014/00	Hose Clamp	
3	223/00102/07	Hose Vent	
4	223/00107/01	Ventilating Hose	
5	223/00109/00	Soap Dispenser Gasket	
6	223/00102/30	Soap Dispenser Assembly	
7	223/00102/06	Soap Spray Nozzle	
8	223/00102/05	Softener Spray Nozzle	
9	223/00102/03	Rinse Insert	
10	223/00102/04	Soap Dispenser Rinse Siphon	
11	B12347501	Screw	
12	223/00102/08	Liquid Soap Dispenser Insert	
13	223/00115/00	Hose	
14	223/00023/00	Hose Clamp	
15	223/00009/00	Clamp	
16	223/00059/00	Water Hose	20 mm diameter
17	223/00188/00	Hose	25 mm diameter
18	223/00013/00	Hose Clamp	
19	204/00105/00	Nut	
20	203/00008/00	Washer	
21	207/00106/00	Screw	

# Supply Dispenser - Models Starting 1/1/93



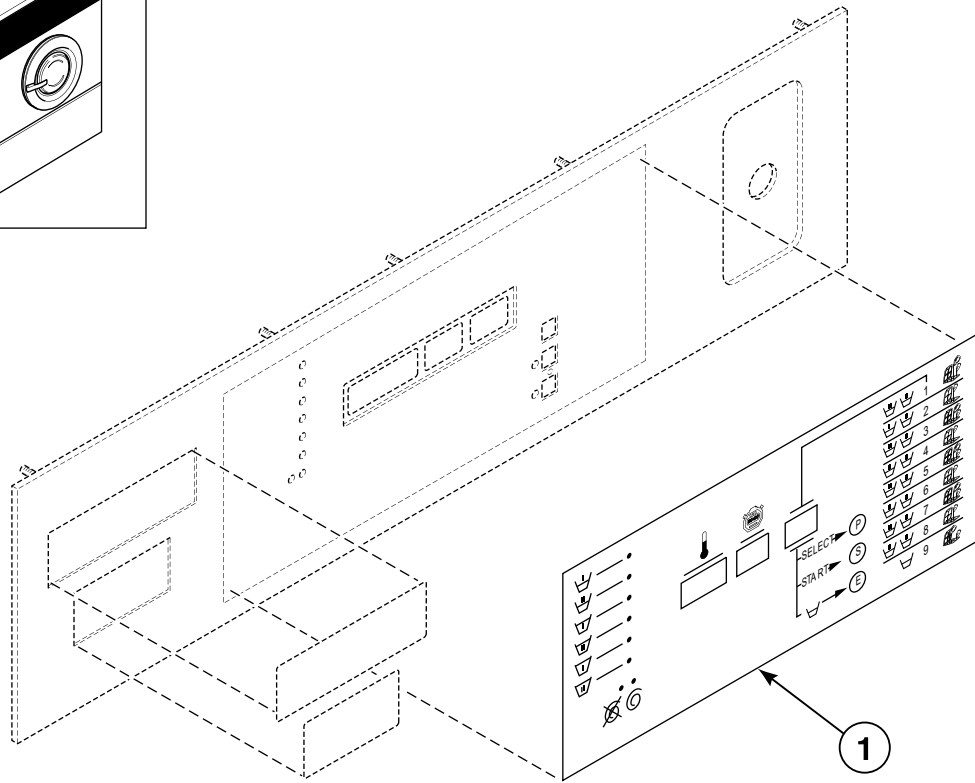
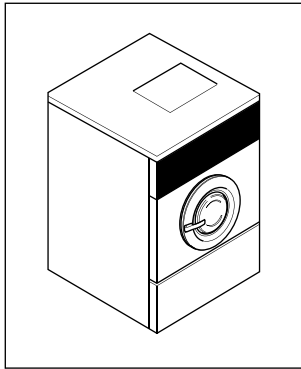
CFD440P\_D0244



## Supply Dispenser - Models Starting 1/1/93

REF	PART NO.	DESCRIPTION	COMMENTS
1	223/00014/00	Hose Clamp	
2	223/00107/04	Hose Vent	
3	223/00109/00	Soap Dispenser Gasket	
4	223/00102/30	Soap Dispenser Assembly	
5	B12347501	Screw	
6	223/00102/06	Soap Spray Nozzle	
7	123/00107/00	Anti-Splash Plate	Sigma models
	123/00103/06	Soap Box Assembly Plate	All other models
8	223/00196/00	Dispenser Drain Funnel	
9	223/00102/04	Soap Dispenser Rinse Siphon	
10	223/00102/08	Liquid Soap Dispenser Insert	
11	223/00102/03	Rinse Insert	
12	223/00102/05	Softener Spray Nozzle	
13	223/00102/30	Soap Dispenser Assembly	
14	223/00220/00	Soap Dispenser Hose	
15	223/00071/00	Hose Clamp	
16	223/00011/00	Hose Clamp	
17	223/00010/00	Hose Clamp	
18	223/00059/00	Water Hose	
19	223/00044/01	Water Hose	
20	223/00102/70	Soap Dispenser	Includes pipe
	223/00102/30	Soap Dispenser Assembly	

# Micro 20 Control Panel Decal (Drawing 1 of 5)

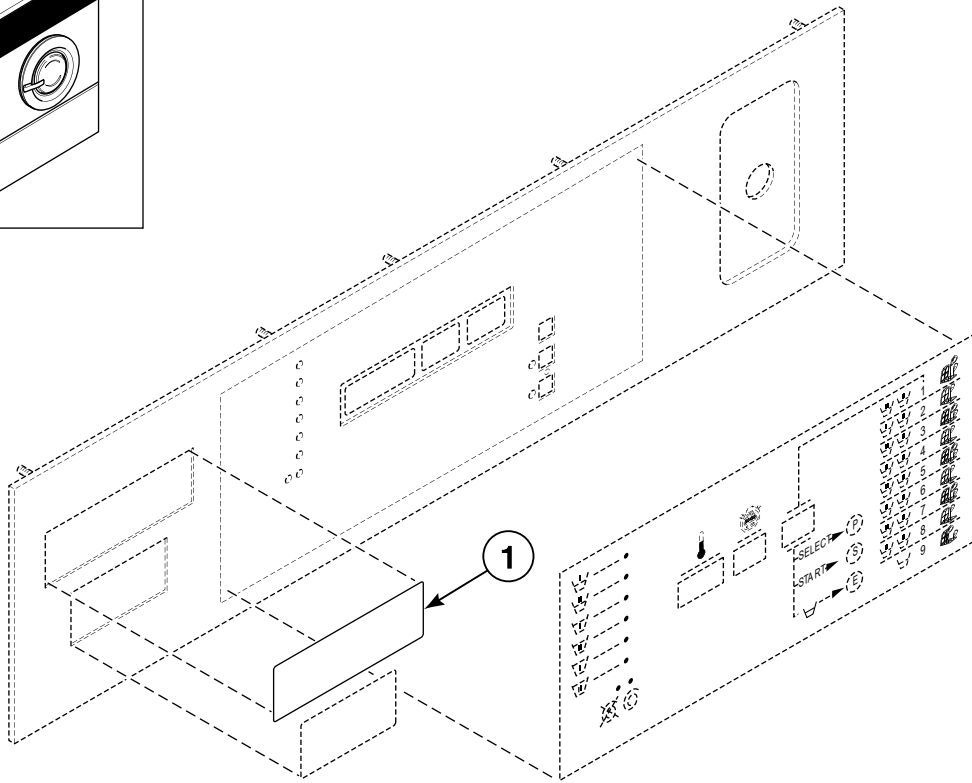
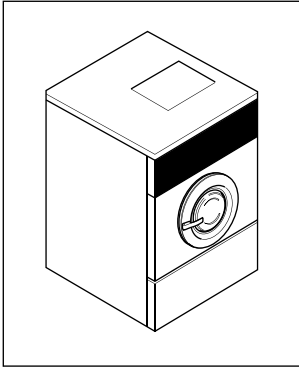


BE000398P\_D0244

## Micro 20 Control Panel Decal (Drawing 1 of 5)

REF	PART NO.	DESCRIPTION	COMMENTS
1	225/00366/00	Label	
	225/00250/00	Label	
	225/00371/00	Label	
	325/00321/00	Sticker	
	225/00339/00	Label	
	325/00324/00	Label	
	225/00344/00	Label	
	225/00335/00	Label	
	225/00364/00	Label	
	225/00325/00	Label	
	225/00374/00	Label	
	225/00308/00	Sticker	
	225/00341/00	Sticker	
	225/00353/00	Label	
	225/00342/00	Label	
	225/00310/00	Label	
	225/00351/00	Label	
	225/00345/00	Label	
	225/00386/00	Sticker	
	225/00349/00	Label	
	225/00309/00	Sticker	
	225/00382/00	Label	
	225/00385/00	Label	
	225/00311/00	Label	
	225/00387/00	Sticker	
	225/00352/00	Label	
	325/00323/00	Label	
	225/00363/00	Label	
	225/00343/00	Label	
	225/00304/00	Front Panel	

# Micro 20 Control Panel Decal (Drawing 2 of 5)

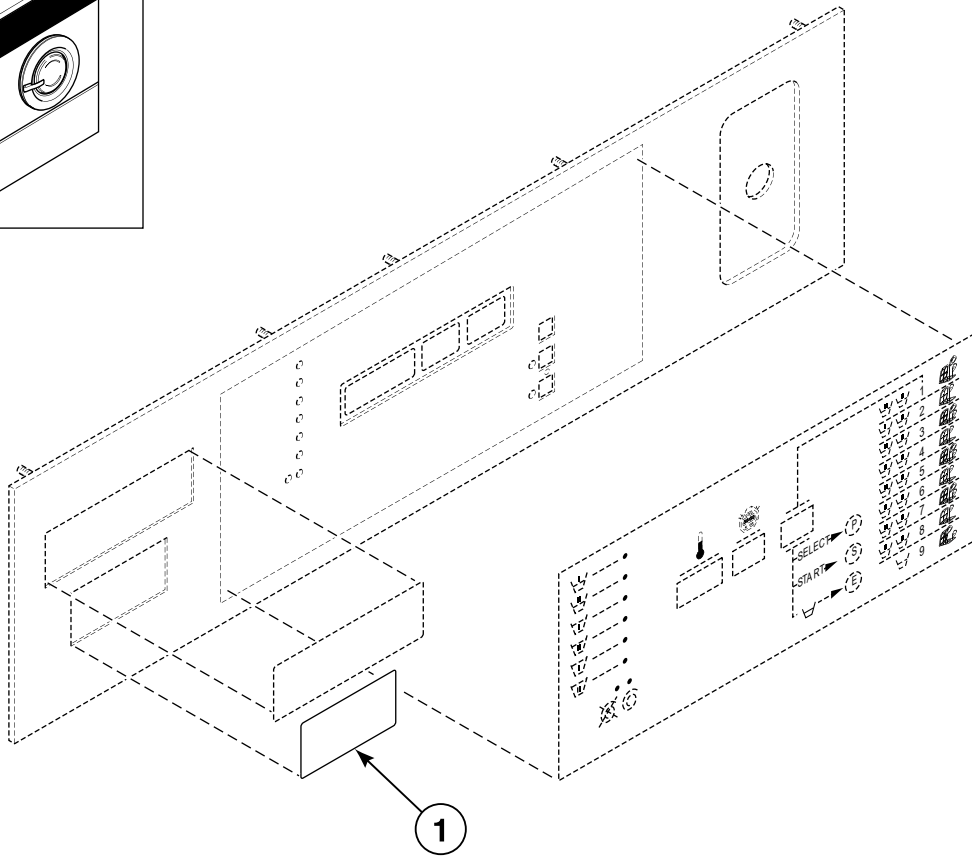
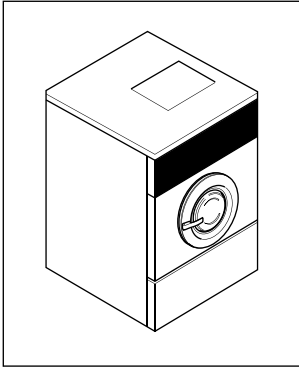


BE000398PA\_D0244

## Micro 20 Control Panel Decal (Drawing 2 of 5)

REF	PART NO.	DESCRIPTION	COMMENTS
1	225/10132/00	Front Label	
	225/10158/00	Front Label	
	325/00239/00	Front Label	
	225/10228/00	Front Label	
	225/10129/00	Front Label	
	225/10063/00	Front Label	
	325/10095/00	Front Label	
	225/10045/00	Front Label	
	225/10032/00	Front Label	
	225/10033/00	Front Label	
	225/10231/00	Front Label	
	325/10087/00	Front Label	
	225/10064/00	Front Label	
	225/10176/00	Front Label	
	225/10210/00	Front Label	
	225/10101/00	Front Label	
	225/10038/00	Front Label	
	225/10100/00	Front Label	
	225/10249/00	Front Label	
	225/10248/00	Front Label	
	225/10193/00	Front Label	
	325/10091/00	Front Label	
	225/10072/00	Front Label	
	225/10153/00	Front Label	
	225/10042/00	Front Label	
	225/10089/00	Front Label	
	225/10243/00	Front Label	
	225/10168/00	Front Label	
	225/10071/00	Front Label	
	225/10229/00	Front Label	
	225/10043/00	Front Label	
	225/10044/00	Front Label	
	225/10177/00	Front Label	
	325/10102/00	Front Label	
	225/10065/00	Front Label	

# Micro 20 Control Panel Decal (Drawing 3 of 5)

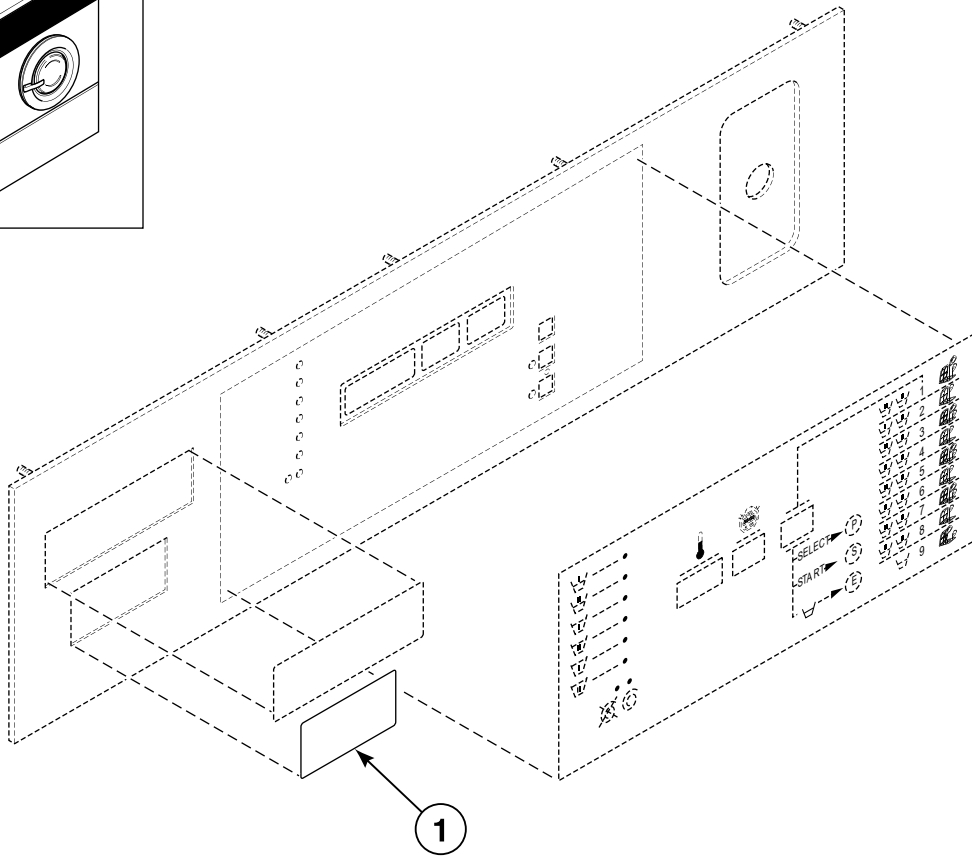
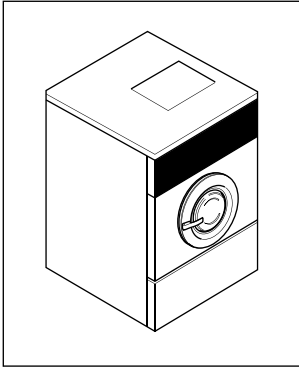


BE000398PB\_D0244

## Micro 20 Control Panel Decal (Drawing 3 of 5)

REF	PART NO.	DESCRIPTION	COMMENTS
1	229/00257/00	Front Label	
	225/10161/00	Front Label	
	225/10200/00	Front Label	
	225/10164/00	Front Label	
	225/10201/00	Front Label	
	225/10194/00	Front Label	
	225/10109/00	Front Label	
	225/10128/00	Front Label	
	225/10114/00	Front Label	
	225/10126/00	Front Label	
	225/10195/00	Front Label	
	225/10127/00	Front Label	
	225/10110/00	Front Label	
	225/10125/00	Front Label	
	225/10159/00	Front Label	
	225/10111/00	Front Label	
	225/10124/00	Front Label	
	225/10162/00	Front Label	
	225/10112/00	Front Label	
	225/10049/00	Front Label	
	225/10202/00	Front Label	
	225/10102/00	Front Label	
	225/10050/00	Front Label	
	225/10113/00	Front Label	
	225/10103/00	Front Label	
	225/10203/00	Front Label	
	225/10055/00	Front Label	
	225/10051/00	Front Label	
	225/10204/00	Front Label	
	225/10052/00	Front Label	
	225/10104/00	Front Label	
	225/10199/00	Front Label	
	225/10053/00	Front Label	
	225/10105/00	Front Label	
	225/10157/00	Front Label	
	225/10106/00	Front Label	
	225/10246/00	Front Label	
	225/10115/00	Front Label	
	225/10107/00	Front Label	
	225/10056/00	Front Label	
	225/10233/00	Front Label	

# Micro 20 Control Panel Decal (Drawing 4 of 5)



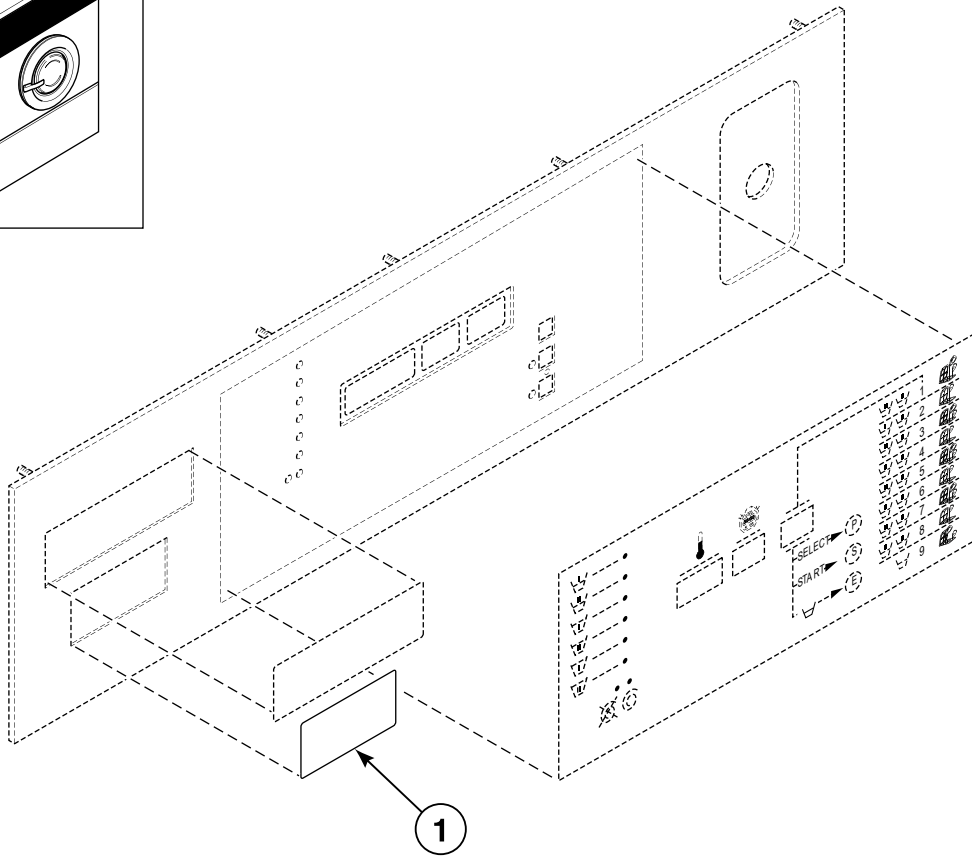
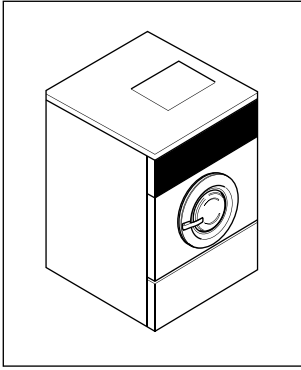
BE000398PB\_D0244



## Micro 20 Control Panel Decal (Drawing 4 of 5)

REF	PART NO.	DESCRIPTION	COMMENTS
1	225/10232/00	Front Label	
	225/10108/00	Front Label	
	225/10244/00	Front Label	
	225/10160/00	Front Label	
	225/10131/00	Front Label	
	225/10116/00	Front Label	
	225/10245/00	Front Label	
	225/10121/00	Front Label	
	225/10074/00	Front Label	
	225/10067/00	Front Label	
	225/10075/00	Front Label	
	225/10073/00	Front Label	
	225/10090/00	Front Label	
	225/10068/00	Front Label	
	225/10080/00	Front Label	
	225/10097/00	Front Label	
	225/10069/00	Front Label	
	225/10145/00	Front Label	
	225/10087/00	Front Label	
	225/10134/00	Front Label	
	225/10093/00	Front Label	
	225/10182/00	Front Label	
	225/10081/00	Front Label	
	225/10135/00	Front Label	
	225/10082/00	Front Label	
	225/10098/00	Front Label	
	225/10183/00	Front Label	
	225/10136/00	Front Label	
	225/10083/00	Front Label	
	225/10184/00	Front Label	
	225/10137/00	Front Label	
	225/10241/00	Front Label	
	225/10185/00	Front Label	
	225/10138/00	Front Label	
	225/10242/00	Front Label	
	225/10178/00	Front Label	
	225/10123/00	Front Label	
	225/10230/00	Front Label	
	225/10198/00	Front Label	
	225/10152/00	Front Label	
	225/10179/00	Front Label	

# Micro 20 Control Panel Decal (Drawing 5 of 5)

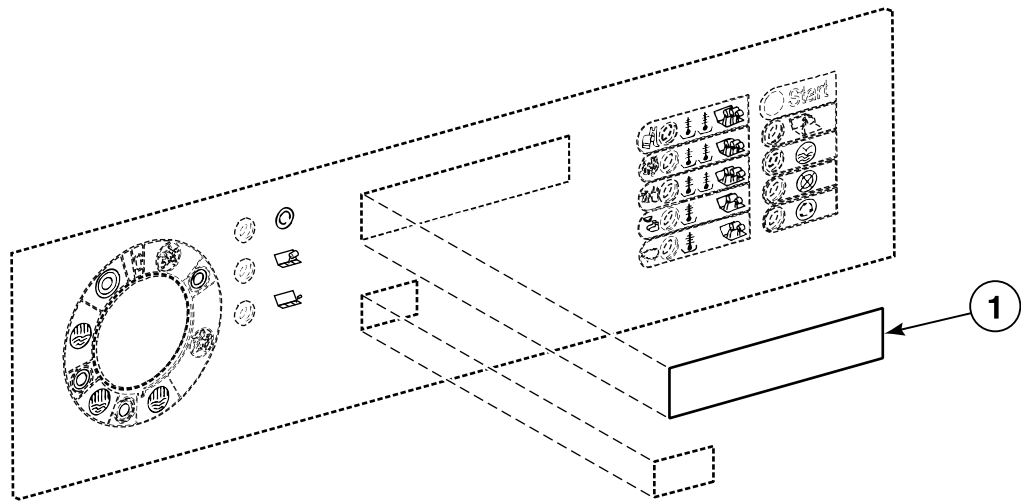
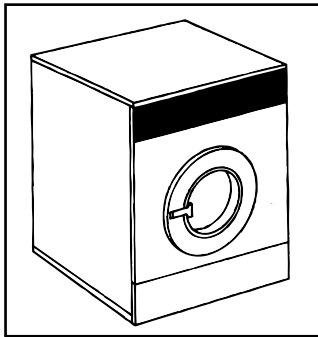


BE000398PB\_D0244

## Micro 20 Control Panel Decal (Drawing 5 of 5)

REF	PART NO.	DESCRIPTION	COMMENTS
1	225/10154/00	Front Label	
	225/10180/00	Front Label	
	225/10155/00	Front Label	
	225/10181/00	Front Label	
	225/10156/00	Front Label	
	225/10219/00	Front Label	
	225/10220/00	Front Label	
	225/10221/00	Front Label	
	225/10222/00	Front Label	
	225/10223/00	Front Label	
	225/10224/00	Front Label	
	225/10226/00	Front Label	
	225/10227/00	Front Label	
	225/10205/00	Front Label	
	225/10206/00	Front Label	
	225/10207/00	Front Label	
	225/10208/00	Front Label	
	225/10209/00	Front Label	
	225/10146/00	Front Label	
	225/10148/00	Front Label	
	225/10150/00	Front Label	
	225/10147/00	Front Label	
	225/10149/00	Front Label	
	225/10151/00	Front Label	
	225/10169/00	Front Label	
	225/10170/00	Front Label	
	225/10171/00	Front Label	
	225/10172/00	Front Label	
	225/10173/00	Front Label	
	225/10174/00	Front Label	
	225/10175/00	Front Label	
	225/10196/00	Front Label	
	225/10235/00	Front Label	
	225/10236/00	Front Label	
	225/10237/00	Front Label	
	225/10238/00	Front Label	
	225/10239/00	Front Label	
	225/10240/00	Front Label	
	225/10250/00	Front Label	
	225/10251/00	Front Label	
	225/10247/00	Front Label	

# Mechanical Timer Control Panel Decal (Drawing 1 of 2)

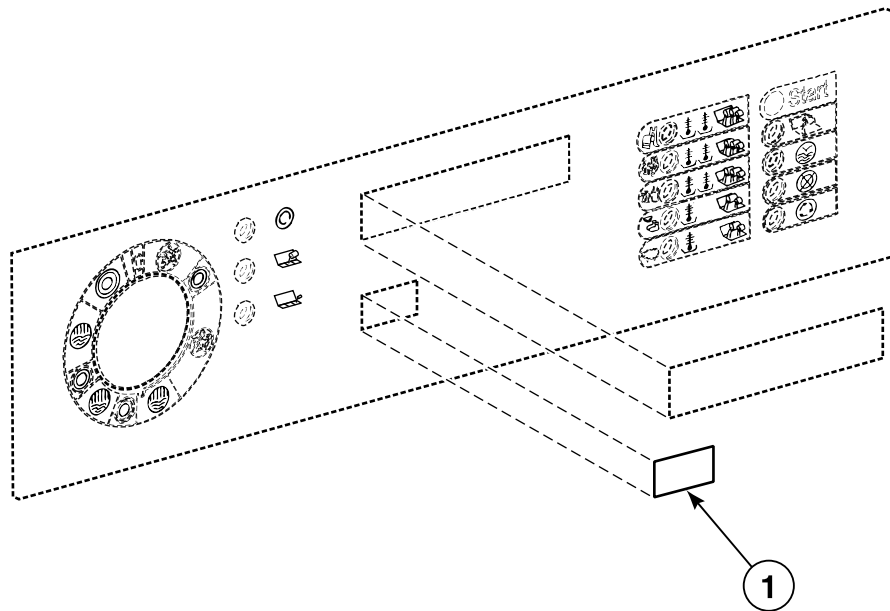
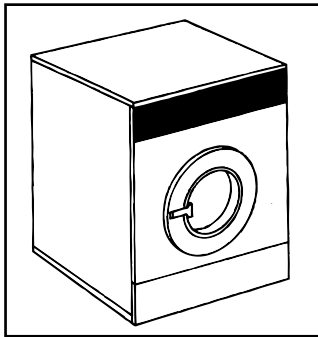


BE000400P\_D0244

# Mechanical Timer Control Panel Decal (Drawing 1 of 2)

REF	PART NO.	DESCRIPTION	COMMENTS
1	225/10132/00	Front Label	
	225/10158/00	Front Label	
	325/00239/00	Front Label	
	225/10228/00	Front Label	
	225/10129/00	Front Label	
	225/10063/00	Front Label	
	325/10095/00	Front Label	
	225/10045/00	Front Label	
	225/10032/00	Front Label	
	225/10033/00	Front Label	
	225/10231/00	Front Label	
	325/10087/00	Front Label	
	225/10064/00	Front Label	
	225/10176/00	Front Label	
	225/10210/00	Front Label	
	225/10101/00	Front Label	
	225/10038/00	Front Label	
	225/10100/00	Front Label	
	225/10249/00	Front Label	
	225/10248/00	Front Label	
	225/10193/00	Front Label	
	325/10091/00	Front Label	
	225/10072/00	Front Label	
	225/10153/00	Front Label	
	225/10042/00	Front Label	
	225/10089/00	Front Label	
	225/10243/00	Front Label	
	225/10168/00	Front Label	
	225/10071/00	Front Label	
	225/10229/00	Front Label	
	225/10043/00	Front Label	
	225/10044/00	Front Label	
	225/10177/00	Front Label	
	325/10102/00	Front Label	
	225/10065/00	Front Label	

# Mechanical Timer Control Panel Decal (Drawing 2 of 2)

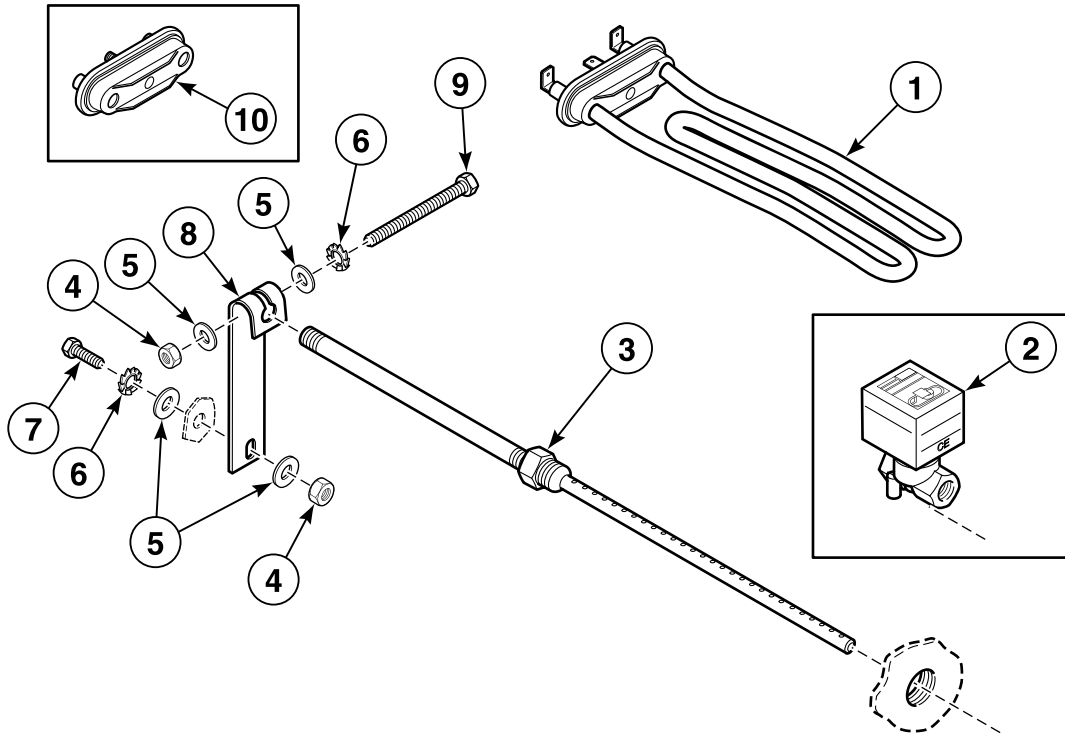


BE000400PA\_D0244

## Mechanical Timer Control Panel Decal (Drawing 2 of 2)

REF	PART NO.	DESCRIPTION	COMMENTS
1	225/00066/00	Label	
	225/10009/00	Label	
	225/00068/00	Label	
	225/10010/00	Label	
	225/00069/00	Label	
	225/10011/00	Label	
	225/00070/00	Label	
	225/00084/00	Label	
	225/00085/00	Label	
	225/00071/00	Label	
	225/00086/00	Label	
	225/10012/00	Label	
	225/00072/00	Label	
	225/00073/00	Label	
	225/10013/00	Label	
	225/10024/00	Label	
	225/10026/00	Label	
	225/10014/00	Label	
	225/10025/00	Label	
	225/10017/00	Label	
	225/10018/00	Label	
	225/10019/00	Label	
	225/10094/00	Label	
	225/10020/00	Label	
	225/10021/00	Label	
	225/10022/00	Label	
	225/10028/00	Label	
	225/10005/00	Label	
	225/10006/00	Label	
	225/10007/00	Label	

# Electric and Steam Heating



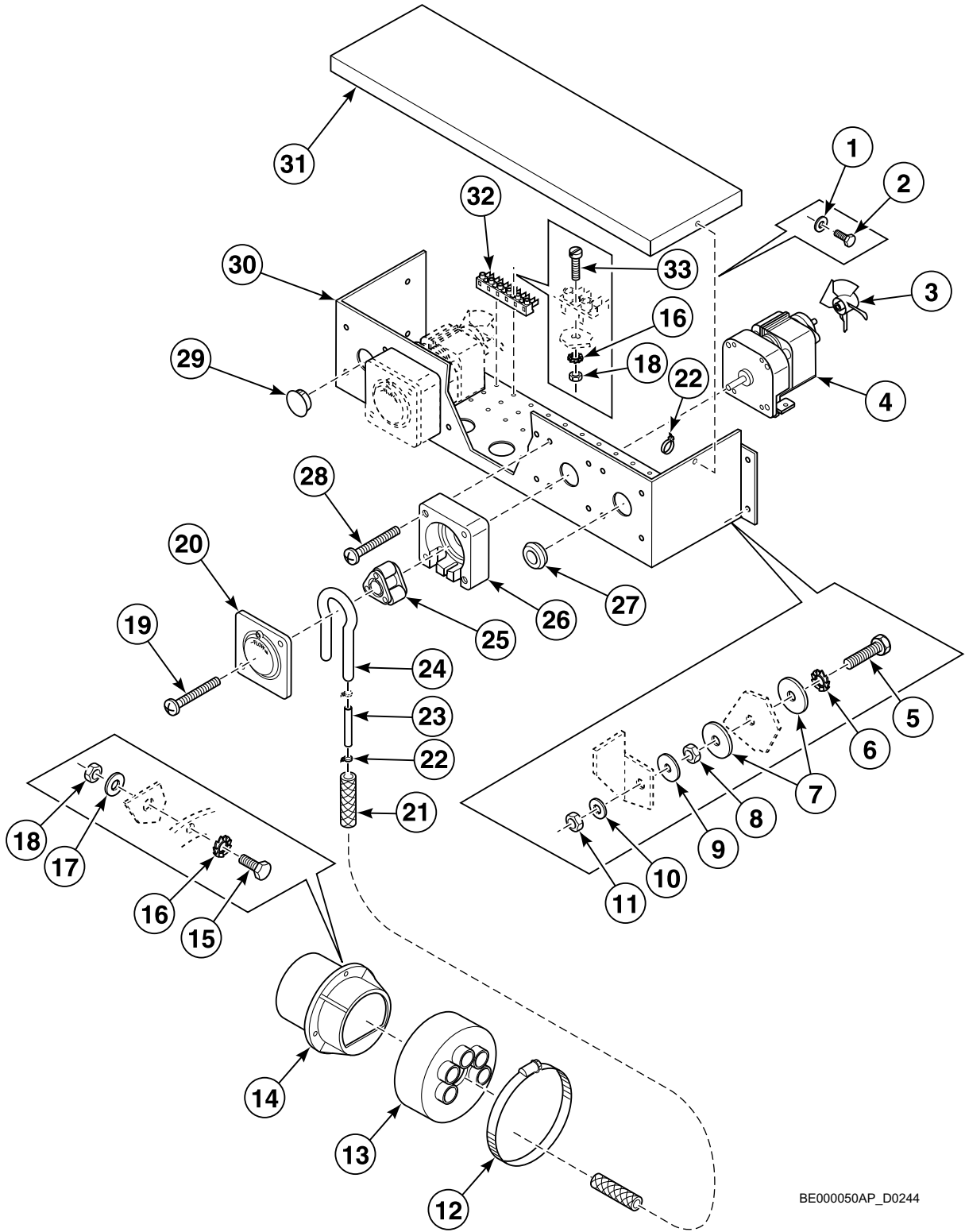
BE000391P\_D0244



## Electric and Steam Heating

REF	PART NO.	DESCRIPTION	COMMENTS
1	209/00024/00	Heating Element	2000W; 220/240 Volt
	209/00049/00	Heating Element	3000W; 220/240 Volt
	209/00581/00	Heating Element	4000W; 380 Volt
2	209/00189/00	Steam Valve	
3	131/00039/00	Steam Injector	
4	204/00004/00	Nut	
5	202/00002/00	Washer	
6	203/00003/00	Washer	
7	206/00009/00	Bolt	
8	131/00008/00	Mounting Plate	
9	206/00035/00	Bolt	
10	209/00196/00	Heating Element Plug	

# Soap Pump - Knight

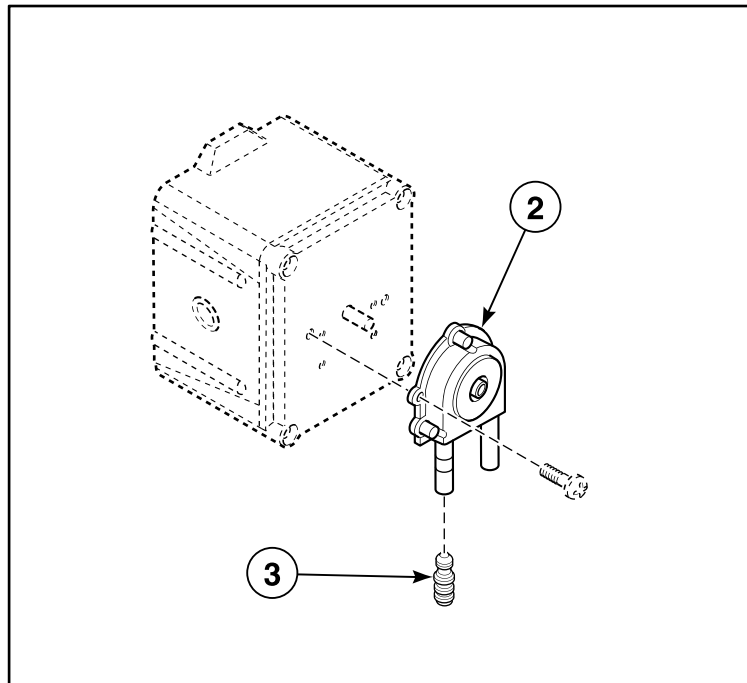
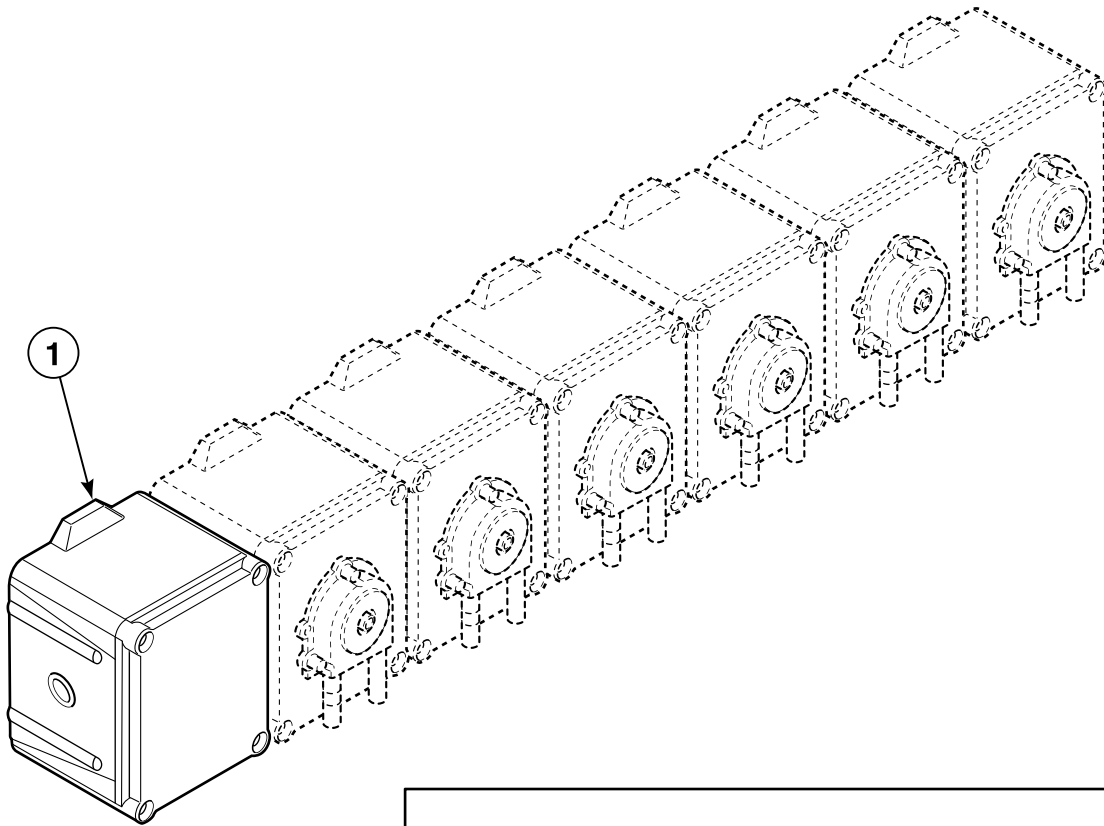


BE000050AP\_D0244

## Soap Pump - Knight

REF	PART NO.	DESCRIPTION	COMMENTS
1	202/00109/00	Washer	
2	205/00113/00	Bolt	
3	209/00413/08	Motor	
4	209/00413/06	Fan Motor	
5	205/00103/00	Bolt	
6	203/00004/00	Washer	
7	202/00108/00	Washer	
8	204/00005/00	Nut	
9	202/00106/00	Washer	
10	202/00101/00	Washer	
11	204/00009/00	Nut	
12	223/00014/00	Hose Clamp	
13	223/00160/00	Liquid Soap Hose	
14	223/00102/07	Hose Vent	
15	206/00027/00	Bolt	
16	203/00006/00	Washer	
17	202/00004/00	Washer	
18	204/00007/00	Nut	
19	209/00413/05	Screw	
20	209/00413/09	Cover Plate	
21	223/00179/00	Soap Injector Hose	
22	211/00088/00	Cable Tie	
23	223/00180/01	Hose	
24	209/00413/03	Hose	
25	209/00413/07	Pressure Roller	
26	209/00413/10	Pump Housing	
27	223/00198/00	Grommet	
28	209/00413/04	Screw	
29	211/00087/00	Plug	
30	111/00190/00	Pump Assembly Plate	
31	111/00190/01	Pump Top Plate	
32	210/10007/00	Connection	
33	207/00003/00	Screw	

# Soap Pump - Brightwell



BE000527P\_D0244

# Soap Pump - Brightwell

REF	PART NO.	DESCRIPTION	COMMENTS
1	209/00554/01	Soap Pump Assembly	
	209/00554/02	Soap Pump Assembly	
	209/00554/03	Soap Pump Assembly	
	209/00554/04	Soap Pump Assembly	
	209/00554/05	Soap Pump Assembly	
	209/00554/06	Soap Pump Assembly	
2	209/00554/98	Hose	
3	209/00554/99	Hose Connector	



# Parts Index

## A

Anti-Splash Plate	
123/00107/00 .....	79
Assembly Plate Support	
111/00198/01 .....	71

## B

Backbridge	
111/01158/30 .....	71, 73
Ball Bearing	
212/00004/00 .....	11
212/00024/00 .....	11
Base	
237/00001/50 .....	9
Bearing Housing Assembly	
212/10104/00 .....	11
Bearing Replacement Kit	
KBRGWE234 .....	11
Bearing Replacement Tool Kit	
382P3 .....	11
Belt	
137/00002/00 .....	17
137/00002/02 .....	19
141/00005/00 .....	17
226/00028/00 .....	15, 17, 19
Bolt	
205/00102/00 .....	11
205/00103/00 .....	67, 97
205/00104/00 .....	27, 31
205/00105/00 .....	67
205/00106/00 .....	47, 49, 67
205/00113/00 .....	69, 97
205/00115/00 .....	11
206/00003/00 .....	9, 21
206/00004/00 .....	15
206/00006/00 .....	17, 19, 21
206/00009/00 .....	95
206/00011/00 .....	13
206/00013/00 .....	23
206/00014/00 .....	17, 19, 21
206/00016/00 .....	65
206/00027/00 .....	67, 69, 71, 97
206/00029/00 .....	13
206/00033/00 .....	59
206/00034/00 .....	13
206/00035/00 .....	95
206/00045/00 .....	11
206/00052/00 .....	13
206/00099/00 .....	51, 53, 55, 57, 65, 67, 71, 73
206/00127/00 .....	21
206/00130/00 .....	15
206/00136/00 .....	73
207/00131/00 .....	65
Button	
209/00099/09 .....	43, 45

## C

Cable Tie	
211/00088/00 .....	97
Circuit Board Cover	
229/00262/00 .....	37, 39, 41
Clamp	
223/00009/00 .....	77
Coil	
209/00051/21 .....	25
209/00052/21 .....	25
209/00203/21 .....	25
Coin Box	
137/00003/00 .....	9
211/00071/00 .....	59
211/00101/00 .....	59
Coin Box Key	
211/00065/02 .....	59
Coin Box Lock	
211/00065/00 .....	59
Coin Box Ring	
111/00066/00 .....	59
Coin Box Ring Assembly	
111/00100/00 .....	59
Coin Display	
209/00217/00 .....	49
Coin Drop	
209/00060/00 .....	63
Coin Drop Microswitch	
209/00060/12 .....	59
Coin Meter	
209/00061/00 .....	63
209/00062/00 .....	63
209/00064/00 .....	61
209/00065/00 .....	61
209/00066/00 .....	63
209/00068/00 .....	63
209/00069/00 .....	63
209/00070/00 .....	63
209/00072/00 .....	63
209/00111/00 .....	61
209/00111/10 .....	61
209/00119/00 .....	61
209/00120/00 .....	61
209/00121/00 .....	63
209/00122/00 .....	63
209/00123/00 .....	63
209/00156/00 .....	63
209/00158/00 .....	63
209/00160/00 .....	63
209/00161/00 .....	63
209/00162/00 .....	63
209/00166/00 .....	61
209/00214/00 .....	61
209/00215/00 .....	61
209/00215/01 .....	61
209/00216/00 .....	63
209/00229/00 .....	61
209/00269/00 .....	63
209/00278/00 .....	63
209/00286/00 .....	63
209/00296/00 .....	63

N/A items do not appear in index.

209/00364/00	61
209/00373/00	63
209/00375/00	61
209/00378/00	61
209/00383/00	61
209/00387/00	61
209/00388/00	61
209/00389/00	61
209/00390/00	61
209/00391/00	61
209/00402/01	61
209/00402/02	61
209/00402/03	61
209/00402/04	61
209/00402/07	61
209/00402/08	61
209/00403/00	61
209/00404/00	61
209/00407/00	61
209/00411/00	63
209/00414/00	61
209/00415/00	61
209/00418/00	61
209/00428/00	61
209/00437/00	61
209/00442/00	61
209/00460/00	61
209/00469/00	63
209/00500/00	61
209/00501/00	61
209/00502/00	61
209/00522/00	63
209/00548/00	63
209/00553/00	63
209/00576/00	61
209/10215/00	61
Coin Meter Frame	
225/00020/00	49
Connection	
210/10007/00	97
Contact	
209/00099/05	43, 45
Contact Switch	
209/00099/06	37, 39, 69
209/00099/26	41, 43, 45
Contactactor	
209/00041/03	51, 53, 55, 57
209/00041/04	51, 53, 55
209/00041/05	51, 53, 55, 57
209/00148/02	51, 53, 55, 57
Control Board	
209/00547/00	39
Control Panel	
111/00331/30	37, 39, 47, 49
Cooling Fan	
209/00287/00	21, 73
Cordlock	
211/00117/00	21
211/00123/00	71
211/00138/00	71
Counter Ring	
219/00004/00	15
Cover Plate	
111/00175/01	57
209/00413/09	97
Cylinder and Shaft Assembly	
B12327101	13, 15

## D

Dispenser Drain Funnel	
223/00196/00	79
Dispenser Front Mounting Plate	
111/10101/00	67
Dispenser Rear Mounting Plate	
111/10102/00	67
Display	
223/10066/00	49
Door Axle Roller	
217/00013/05	33, 35
Door Circlip	
217/00013/11	33, 35
Door Glass	
231/00004/00	27, 31
Door Glass Seal	
223/00068/00	27, 31
Door Handle	
217/00013/12	33, 35
217/00051/00	31, 33, 35
217/00051/10	33, 35
217/00065/00	27
Door Handle Assembly Plate	
217/00013/16	33
Door Handle Catch	
217/00051/13	35
Door Handle Hook	
217/00013/13	33
Door Handle Latch	
217/00013/04	33
217/00051/14	33, 35
Door Handle Locking Pin	
217/00013/15	33
Door Handle Spring	
217/00013/14	33, 35
Door Handle Stop	
217/00016/00	27, 31
Door Hinge	
217/00009/01	27
Door Hinge Assembly	
217/00009/02	27
Door Hinge Block	
253/00022/00	31
Door Hinge Plate Assembly	
111/00003/00	31
Door Hinge Spacer	
117/00010/00	27
118/00122/00	31
118/00124/00	31
Door Latch Cord	
224/00015/00	29
Door Lock Assembly	
217/00017/00	27
217/00052/01A	29
Door Lock Board	
209/00275/04	29, 47, 49
209/00275/05	47, 49
Door Lock Microswitch	
209/00272/00	29
Door Lock Pin Kit	
211/00109/01	31
217/00052/02	29

N/A items do not appear in index.



Door Lock Solenoid 209/00274/00 .....	29
Door Lock Spacer 217/00052/03 .....	29
Door Lock Spring 217/00013/03 .....	33, 35
224/00049/00 .....	29
Door Locking Grip 217/00013/07 .....	33, 35
Door Locking Pin 217/00013/08 .....	33, 35
217/00051/15 .....	35
Door Mounting Pin 217/00013/09 .....	33, 35
Door Panel 131/00003/00 .....	27, 31
Door Roller 217/00013/06 .....	33, 35
Door Switch 209/00023/00 .....	27
Drain Hose 223/00183/00 .....	23
Drain Pipe 223/00106/00 .....	23
Drain Valve 209/00399/00 .....	23
Drain Valve Motor 209/00051/11 .....	25
209/00052/11 .....	25
209/00203/11 .....	25
Drain Valve Motor Mounting Plate 209/00025/07 .....	25
Drain Valve Shaft 209/00170/10 .....	25
Drain Valve Shaft Seal 209/00025/10 .....	25
Drain Valve Spring 209/00025/13 .....	25
Drum and Axle 139/00005/00 .....	13, 15

## E

Electrical Component Assembly 111/00256/00 .....	57
Electrical Component Extension Plate 140/00021/00 .....	51, 55
Electrical Connection Cover 111/00426/01 .....	69
Electrical Connection Plate 111/00188/04 .....	69
Electrical Connection Sticker 229/00068/02 .....	69
Emergency Stop Button Kit 209/00253/00 .....	37, 39, 43, 45, 69
Eprom 209/00266/01 .....	37

## F

Facia Panel 225/00280/ABL .....	47
225/00298/AOL .....	37, 39
225/00306/AOL .....	37, 39
225/00319/ABL .....	49
Fan Grill 209/00287/01 .....	73
Fan Motor 209/00413/06 .....	97
Fastener 225/10023/00 .....	47, 49
Filter 252/00032/00 .....	57
Front Label 225/00360/00 .....	39
225/00361/00 .....	39
225/00367/00 .....	39
225/10032/00 .....	83, 91
225/10033/00 .....	83, 91
225/10038/00 .....	83, 91
225/10042/00 .....	83, 91
225/10043/00 .....	83, 91
225/10044/00 .....	83, 91
225/10045/00 .....	83, 91
225/10049/00 .....	85
225/10050/00 .....	85
225/10051/00 .....	85
225/10052/00 .....	85
225/10053/00 .....	85
225/10055/00 .....	85
225/10056/00 .....	85
225/10063/00 .....	83, 91
225/10064/00 .....	83, 91
225/10065/00 .....	83, 91
225/10067/00 .....	87
225/10068/00 .....	87
225/10069/00 .....	87
225/10071/00 .....	83, 91
225/10072/00 .....	83, 91
225/10073/00 .....	87
225/10074/00 .....	87
225/10075/00 .....	87
225/10080/00 .....	87
225/10081/00 .....	87
225/10082/00 .....	87
225/10083/00 .....	87
225/10087/00 .....	87
225/10089/00 .....	83, 91
225/10090/00 .....	87
225/10093/00 .....	87
225/10097/00 .....	87
225/10098/00 .....	87
225/10100/00 .....	83, 91
225/10101/00 .....	83, 91
225/10102/00 .....	85
225/10103/00 .....	85
225/10104/00 .....	85
225/10105/00 .....	85
225/10106/00 .....	85
225/10107/00 .....	85
225/10108/00 .....	87
225/10109/00 .....	85
225/10110/00 .....	85
225/10111/00 .....	85
225/10112/00 .....	85

N/A items do not appear in index.

225/10113/00	85	225/10207/00	89
225/10114/00	85	225/10208/00	89
225/10115/00	85	225/10209/00	89
225/10116/00	87	225/10210/00	83, 91
225/10121/00	87	225/10219/00	89
225/10123/00	87	225/10220/00	89
225/10124/00	85	225/10221/00	89
225/10125/00	85	225/10222/00	89
225/10126/00	85	225/10223/00	89
225/10127/00	85	225/10224/00	89
225/10128/00	85	225/10226/00	89
225/10129/00	83, 91	225/10227/00	89
225/10131/00	87	225/10228/00	83, 91
225/10132/00	83, 91	225/10229/00	83, 91
225/10134/00	87	225/10230/00	87
225/10135/00	87	225/10231/00	83, 91
225/10136/00	87	225/10232/00	87
225/10137/00	87	225/10233/00	85
225/10138/00	87	225/10235/00	89
225/10145/00	87	225/10236/00	89
225/10146/00	89	225/10237/00	89
225/10147/00	89	225/10238/00	89
225/10148/00	89	225/10239/00	89
225/10149/00	89	225/10240/00	89
225/10150/00	89	225/10241/00	87
225/10151/00	89	225/10242/00	87
225/10152/00	87	225/10243/00	83, 91
225/10153/00	83, 91	225/10244/00	87
225/10154/00	89	225/10245/00	87
225/10155/00	89	225/10246/00	85
225/10156/00	89	225/10247/00	89
225/10157/00	85	225/10248/00	83, 91
225/10158/00	83, 91	225/10249/00	83, 91
225/10159/00	85	225/10250/00	89
225/10160/00	87	225/10251/00	89
225/10161/00	85	229/00257/00	85
225/10162/00	85	325/00239/00	83, 91
225/10164/00	85	325/10087/00	83, 91
225/10168/00	83, 91	325/10091/00	83, 91
225/10169/00	89	325/10095/00	83, 91
225/10170/00	89	325/10102/00	83, 91
225/10171/00	89		
225/10172/00	89	Front Panel	
225/10173/00	89	111/00217/01	47
225/10174/00	89	111/00217/02	49
225/10175/00	89	111/00218/00	43, 45
225/10176/00	83, 91	140/00006/01	65
225/10177/00	83, 91	140/00006/02	65
225/10178/00	87	140/03006/01	65
225/10179/00	87	225/00274/00	41
225/10180/00	89	225/00302/00	43, 45
225/10181/00	89	225/00304/00	81
225/10182/00	87		
225/10183/00	87	Front Plate	
225/10184/00	87	111/00068/00	59
225/10185/00	87		
225/10193/00	83, 91	Fuse	
225/10194/00	85	209/00195/00	69
225/10195/00	85	209/00372/01	41
225/10196/00	89	209/00439/00	37, 39
225/10198/00	87		
225/10199/00	85	Fuse Holder	
225/10200/00	85	209/00202/00	69
225/10201/00	85		
225/10202/00	85		
225/10203/00	85	<b>G</b>	
225/10204/00	85	Gasket	
225/10205/00	89	246/00092/00	57
225/10206/00	89	Grommet	
		223/00174/00	57, 73
		223/00198/00	51, 53, 57, 69, 97

N/A items do not appear in index.

223/00203/00 .....	57
Ground Terminal	
209/00006/01 .....	69
210/10015/00 .....	29
<hr/>	
<b>H</b>	
Heating Element	
209/00024/00 .....	95
209/00049/00 .....	95
209/00581/00 .....	95
Heating Element Plug	
209/00196/00 .....	95
Hinge	
131/00046/00 .....	31
Holder	
217/00019/00 .....	27
Hook	
111/00001/00 .....	65
111/00002/00 .....	65
Hose	
209/00413/03 .....	97
209/00554/98 .....	99
223/00007/00 .....	75
223/00115/00 .....	77
223/00180/01 .....	97
223/00188/00 .....	77
Hose Barb	
223/00016/00 .....	51, 53, 55, 57
Hose Clamp	
223/00010/00 .....	71, 75, 79
223/00011/00 .....	51, 53, 55, 57, 71, 79
223/00013/00 .....	23, 75, 77
223/00014/00 .....	71, 77, 79, 97
223/00023/00 .....	23, 77
223/00071/00 .....	79
Hose Connector	
209/00554/99 .....	99
Hose Vent	
223/00102/07 .....	71, 77, 97
223/00107/04 .....	79
Housing	
209/00399/01 .....	25

<hr/>	
<b>I</b>	
Infrared Cable	
210/00902/00 .....	39, 41, 43
Injector	
223/00001/05 .....	75
Inlet Valve, 2-Way	
209/00316/00 .....	71
209/00419/00 .....	71
Inner Coin Box	
211/00070/03 .....	59
Insulating Sticker	
229/00255/00 .....	37, 39, 41
Insulation Plate	
217/00038/00 .....	27
Interlock Coil Spring	
224/00043/00 .....	29

Interlock Lever	
217/00052/04 .....	29
Interlock Pin	
224/00003/00 .....	27
Intermediate Fan Motor Plate	
111/00243/00 .....	21
Inverter	
227/00230/00 .....	73
Inverter Box Cover	
111/01158/11 .....	73
Inverter Drive Box	
111/01149/00 .....	73

<hr/>	
<b>K</b>	
Key	
212/00026/00 .....	15
Keyboard	
209/00323/01 .....	45
Keypad	
209/00552/01 .....	41
Keypad Controller	
209/00505/01 .....	43

<hr/>	
<b>L</b>	
Label	
225/00066/00 .....	93
225/00068/00 .....	93
225/00069/00 .....	93
225/00070/00 .....	93
225/00071/00 .....	93
225/00072/00 .....	93
225/00073/00 .....	93
225/00084/00 .....	93
225/00085/00 .....	93
225/00086/00 .....	93
225/00250/00 .....	81
225/00310/00 .....	81
225/00311/00 .....	81
225/00325/00 .....	81
225/00335/00 .....	81
225/00339/00 .....	81
225/00342/00 .....	81
225/00343/00 .....	81
225/00344/00 .....	81
225/00345/00 .....	81
225/00349/00 .....	81
225/00351/00 .....	81
225/00352/00 .....	81
225/00353/00 .....	81
225/00363/00 .....	81
225/00364/00 .....	81
225/00366/00 .....	81
225/00371/00 .....	81
225/00374/00 .....	81
225/00382/00 .....	81
225/00385/00 .....	81
225/10005/00 .....	93
225/10006/00 .....	93
225/10007/00 .....	93
225/10009/00 .....	93
225/10010/00 .....	93
225/10011/00 .....	93

N/A items do not appear in index.

225/10012/00	93
225/10013/00	93
225/10014/00	93
225/10017/00	93
225/10018/00	93
225/10019/00	93
225/10020/00	93
225/10021/00	93
225/10022/00	93
225/10024/00	93
225/10025/00	93
225/10026/00	93
225/10028/00	93
225/10094/00	93
229/00245/00	45
325/00323/00	81
325/00324/00	81
Lamp	
209/00151/00	47, 49
Lens Cover	
209/00152/00	47, 49
209/00154/00	47, 49
Level Switch Elbow	
223/00015/00	51, 53, 55
Lever Spring	
224/00040/00	29
Lid Seal	
223/00003/00	75
Light Microswitch	
209/00273/00	29
Liquid Soap Dispenser Insert	
223/00102/08	77, 79
Liquid Soap Hose	
223/00160/00	71, 77, 97
Lock	
209/00279/00	51, 53, 57
Lock Shaft	
217/00017/03	29
Lower Panel	
140/00008/00	67
140/03008/00	67
Lug Holder	
209/00452/02	53, 55, 57

## M

Main Board	
B12351701	41
Metal Disc	
202/00120/00	39, 41, 43
Motor	
209/00413/08	97
227/00128/00	21
241/00001/00	17, 19
241/00002/00	17
241/00003/00	17
241/00004/00	17
241/00006/00	17
Motor Key	
227/00127/01	17, 19
Mounting Plate	
111/00016/00	55
111/00063/00	67
111/00124/00	53

111/00197/00	51, 53, 55
131/00008/00	95
137/00010/00	21
223/00001/06	75
Mushroom Pushbutton	
209/00248/00	37, 39, 43, 45, 69
209/00248/20	41

## N

Network Connection Printboard	
209/00540/00	69
Noise Filter	
227/00165/00	73
Nut	
204/00001/00	11
204/00002/00	9, 13, 17, 19
204/00003/00	13
204/00004/00	95
204/00005/00	13, 23, 53, 59, 97
204/00006/00	47, 49, 69
204/00007/0017, 19, 29, 47, 49, 55, 57, 69, 71, 73, 97	
204/00008/00	29, 59
204/00009/00	11, 27, 37, 97
204/00012/00	21
204/00014/00	17, 19
204/00103/00	27, 31
204/00105/00	77
204/00106/00	27, 31, 65, 67
204/00107/00	65, 67
204/00111/00	21
204/00112/00	11
204/00113/00	21
204/00114/00	37, 39, 41, 43, 45, 47, 49, 67, 73
204/00115/00	21
204/00116/00	41, 43, 45, 57
204/00201/00	71, 75
206/00101/00	51, 55, 67, 71
206/00105/00	57
208/00002/00	67
208/00104/00	65
211/00065/01	59

## O

O-Ring	
217/00002/00	11
217/00021/00	27, 29, 31
Outer Cabinet Lock	
211/00070/01	59
Outer Coin Box	
211/00100/00	59
Outer Tub	
119/00228/00	13
138/00003/00	13
138/00006/00	13
138/00008/00	13
138/00009/00	13
138/00010/00	13
Outlet Pipe Plate Assembly	
101/00007/00	23
Overflow Hose	
223/00100/00	23

N/A items do not appear in index.

Overlay	
225/00365/00 .....	41, 43

## P

Parameter Unit Assembly	
F8410901 .....	73
227/00171/00 .....	73
Pin	
208/00004/00 .....	27
211/00105/00 .....	27
Plexi Frame	
225/00316/00 .....	37, 39
Plug	
211/00087/00 .....	97
Pressure Hose	
223/00082/00 .....	51, 53, 55
223/00179/10 .....	51
Pressure Roller	
209/00413/07 .....	97
Pressure Switch	
209/00007/30 .....	55
209/00007/50 .....	51, 53, 57
Pressure Switch Bracket	
111/00424/00 .....	55
Pressure Switch Elbow	
223/00210/00 .....	57
Pressure Switch Hose	
223/00212/00 .....	57
Pressure Switch Hose Tee	
223/00173/10 .....	53, 57
Prewash and Mainwash Nozzle	
223/00001/04 .....	71, 75
Print Display	
209/00281/00 .....	49
Printboard	
209/00218/03 .....	69
209/00323/02 .....	57
209/00440/00 .....	37
209/00440/02 .....	37
209/00440/70 .....	37
209/00452/01 .....	51, 53, 55, 57
209/00505/02 .....	57
209/00542/02 .....	57
Printboard Separator	
211/00125/00 .....	47, 49
Program Indicator	
225/00001/00 .....	55
225/00078/00 .....	47, 49
Program Switch Separator	
211/10156/00 .....	47, 49
Programming Key Contact Switch	
209/00326/20 .....	41
Programming Switch	
209/00326/00 .....	43, 45
Protection Block	
217/00017/02 .....	27
Protector	
209/00264/00 .....	51, 53, 55, 57
209/00265/00 .....	51, 53, 55, 57
Pulley	
226/00072/00 .....	17, 19
226/00073/00 .....	17, 19

226/00092/00 .....	21
239/00013/00 .....	15
Pulley Hub	
239/00005/01 .....	15
Pump Assembly Plate	
111/00190/00 .....	97
Pump Housing	
209/00413/10 .....	97
Pump Top Plate	
111/00190/01 .....	97
Pushbutton	
209/00396/00 .....	59

## R

Rear Panel	
140/00009/00 .....	65
Retainer Ring	
212/00006/00 .....	11
212/00037/00 .....	11
Retaining Ring	
117/00042/00 .....	21, 47, 49, 67
Reversing Timer	
209/00012/00 .....	55
209/00013/00 .....	55
Rinse Insert	
223/00102/03 .....	77, 79
Rivet	
208/00017/00 .....	69
Rod	
197/00011/00 .....	21
Roll Pin	
208/00013/00 .....	59

## S

Safety Ring	
226/00054/00 .....	17, 19, 21
Screw	
B12347501 .....	75, 77, 79
205/00101/00 .....	11
206/00021/00 .....	55
206/00038/00 .....	59
206/00053/00 .....	15
206/00056/00 .....	21
207/00002/00 .....	21
207/00003/00 .....	97
207/00004/00 .....	73
207/00005/00 .....	27
207/00008/00 .....	17, 19, 55, 57
207/00009/00 .....	29, 59
207/00020/00 .....	31
207/00031/00 .....	69, 73
207/00032/00 .....	47, 49
207/00101/00 .....	67
207/00102/00 .....	27, 29
207/00103/00 .....	27, 29
207/00106/00 .....	77
207/00108/00 .....	59
207/00109/00 .....	27
207/00126/00 .....	31
207/00135/00 .....	29, 57
208/00001/00 .....	67

N/A items do not appear in index.

208/00007/00 .....	55, 59
208/00024/00 .....	47, 49
209/00025/08 .....	25
209/00170/05 .....	25
209/00413/04 .....	97
209/00413/05 .....	97
Seal Plate	
119/00001/00 .....	11
Selector Switch	
209/00175/00 .....	47, 49
209/00176/00 .....	47
Separator	
206/00141/00 .....	57
Separator Plate	
223/00001/03 .....	75
Shaft Seal	
219/00003/00 .....	11
Side Panel	
140/00007/00 .....	65, 67
140/03007/00 .....	65, 67
Soap Box Assembly Plate	
123/00103/06 .....	79
Soap Dispenser	
223/00001/01 .....	75
223/00102/70 .....	79
Soap Dispenser Assembly	
223/00102/30 .....	77, 79
Soap Dispenser Cover	
223/00103/01 .....	65
Soap Dispenser Cover Hinge Rod	
223/00103/04 .....	65
Soap Dispenser Frame	
223/00103/03 .....	65
Soap Dispenser Gasket	
223/00109/00 .....	77, 79
Soap Dispenser Hose	
223/00220/00 .....	79
Soap Dispenser Rinse Siphon	
223/00102/04 .....	77, 79
Soap Injector Hose	
223/00179/00 .....	97
Soap Pump Assembly	
209/00554/01 .....	99
209/00554/02 .....	99
209/00554/03 .....	99
209/00554/04 .....	99
209/00554/05 .....	99
209/00554/06 .....	99
Soap Spray Nozzle	
223/00102/06 .....	77, 79
Softener Spray Nozzle	
223/00102/05 .....	77, 79
Spacer	
211/00162/00 .....	21
Speed Detector	
209/00400/00 .....	11
Speed Detector Assembly Plate	
152/00052/00 .....	11
Spindle	
111/00069/00 .....	59
126/00051/00 .....	17, 19, 21
Spring	
211/00070/04 .....	59
217/00020/00 .....	27

Standoff	
211/00120/00 .....	29, 69
211/00122/00 .....	37, 39, 41
Steam Injector	
131/00039/00 .....	95
Steam Valve	
209/00189/00 .....	95
Sticker	
225/00308/00 .....	37, 81
225/00309/00 .....	37, 81
225/00341/00 .....	81
225/00386/00 .....	81
225/00387/00 .....	81
325/00321/00 .....	81
Stopper	
223/00087/00 .....	17, 19
Switch Base	
209/00099/25 .....	41
Switch Knob	
209/00099/29 .....	41
Switch Lever	
217/00052/05 .....	29

---

## T

Telem Sticker	
209/00520/00 .....	37, 39, 41, 43, 45, 69
Terminal	
209/00043/00 .....	17, 19
Terminal Block	
209/00005/00 .....	57
209/00058/00 .....	69
Thermostat	
209/00243/00 .....	55
209/00266/08 .....	57
211/00115/00 .....	47
Thermostat Assembly	
209/00309/02 .....	51, 53
Thermostat Seal	
223/00065/00 .....	47
225/10004/00 .....	51, 53, 57
Tightening Bracket	
137/00009/00 .....	19
Timer	
209/00106/00 .....	55
209/00107/00 .....	55
Top Panel	
140/00045/01 .....	65
140/00045/02 .....	65
140/03045/01 .....	65
Tub Clamp Ring	
238/00011/00 .....	13
Tub Front	
138/00001/00 .....	13, 27
Tub Front Gasket	
223/00242/00 .....	27
Tub Front Panel Clip	
217/00008/00 .....	13
Tub Front Panel Gasket	
223/00242/40 .....	13
Tub Ring Assembly	
137/00004/00 .....	13

N/A items do not appear in index.

---

## U

U-Piece	
113/00016/01 .....	11
Upper Back Panel	
111/01158/80 .....	67, 69
Upper Front Panel	
111/00184/10 .....	37, 39
111/00221/00 .....	37, 39
111/00221/50 .....	41

---

## V

Ventilating Hose	
223/00107/01 .....	77

---

## W

Washer	
201/00001/00 .....	21
201/00002/00 .....	71, 75
201/00004/00 .....	17, 19, 21
201/00005/00 .....	13
201/00006/00 .....	23, 55
201/00007/00 .....	11, 53, 65
201/00008/00 .....	37, 39, 41, 43, 45, 47, 49
201/00009/00 .....	13
201/00010/00 .....	11, 17, 19, 21
201/00011/00 .....	15
201/00012/00 .....	11
201/00017/00 .....	29
201/00018/00 .....	29
201/00201/00 .....	11
202/00002/00 .....	95
202/00003/00 .....	13, 27, 47, 49
202/00004/00 .....	67, 69, 71, 73, 97
202/00101/00 .....	27, 31, 97
202/00104/00 .....	31
202/00106/00 .....	97
202/00108/00 .....	97
202/00109/00 .....	97
202/00110/00 .....	67
202/00111/00 .....	31
203/00001/00 .....	9, 13, 15
203/00002/00 .....	13, 17, 19, 21
203/00003/00 .....	95
203/00004/00 .....	13, 23, 59, 67, 97
203/00005/00 .....	47, 49, 65, 67
203/00006/0017, 19, 29, 47, 49, 55, 57, 69, 71, 73, 97	
203/00007/00 .....	29, 57, 59
203/00008/00 .....	27, 31, 77
203/00010/00 .....	29
208/00009/00 .....	67
209/00025/12 .....	25
211/00070/02 .....	59
217/00052/08 .....	29
223/00001/07 .....	75
223/00051/10 .....	41, 43, 45
223/00065/01 .....	47
223/00123/00 .....	41, 43, 45, 57
Water Hose	
223/00044/00 .....	71, 75
223/00044/01 .....	79
223/00059/00 .....	71, 77, 79

N/A items do not appear in index.

