

AD-95HS

Installation/Operator's Manual

WARNING: For your safety the information in this manual must be followed to minimize the risk of fire or explosion or to prevent property damage, personal injury or death.

— Do not store or use gasoline or other flammable vapor and liquids in the vicinity of this or any other appliance.

— **WHAT DO YOU DO IF YOU SMELL GAS**

- * Do not try to light any appliance.
- * Do not touch any electrical switch; do not use any phone in your building.
- * Clear the room, building or area of all occupants.
- * Immediately call your gas supplier from a neighbor's phone. Follow the gas supplier's instructions.
- * If you cannot reach your gas supplier, call the fire department.

— Installation and service must be performed by a qualified installer, service agency or the gas supplier.

AVERTISSEMENT: Assurez-vous de bien suivre les instructions données dans cette notice pour réduire au minimum le risque d'incendie ou d'explosion ou pour éviter tout dommage matériel, toute blessure ou la mort.

— Ne pas entreposer ni utiliser d'essence ni d'autres vapeurs ou liquides inflammables dans le voisinage de cet appareil ou de tout autre appareil.

— **QUE FAIRE SI VOUS SENTEZ UNE ODEUR DE GAZ:**

- * Ne pas tenter d'allumer d'appareil.
- * Ne touchez à aucun interrupteur. Ne pas vous servir des téléphones se trouvant dans le bâtiment où vous vous trouvez..
- * Évacuez la pièce, le bâtiment ou la zone.
- * Appelez immédiatement votre fournisseur de gaz depuis un voisin. Suivez les instructions du fournisseur.
- * Si vous ne pouvez rejoindre le fournisseur de gaz, appelez le service des incendies.

— L'installation et l'entretien doivent être assurés par un installateur ou un service d'entretien qualifié ou par le fournisseur de gaz.



For replacement parts, contact the distributor from which the dryer was purchased or

American Dryer Corporation

88 Currant Road

Fall River MA 02720-4781

Telephone: (508) 678-9000 / Fax: (508) 678-9447

E-mail: techsupport@amdry.com

Retain This Manual In A Safe Place For Future Reference

American Dryer Corporation products embody advanced concepts in engineering, design, and safety. If this product is properly maintained, it will provide many years of safe, efficient, and trouble-free operation.

ONLY qualified technicians should service this equipment.

OBSERVE ALL SAFETY PRECAUTIONS displayed on the equipment or specified in the installation/operator's manual included with the dryer.

The following "**FOR YOUR SAFETY**" caution must be posted near the dryer in a prominent location.

FOR YOUR SAFETY

Do not store or use gasoline or other flammable vapors or liquids in the vicinity of this or any other appliance.

POUR VOTRE SÉCURITÉ

Ne pas entreposer ni utiliser d'essence ni d'autres vapeurs ou liquides inflammables dans le voisinage de cet appareil ou de tout autre appareil.

We have tried to make this manual as complete as possible and hope you will find it useful. **ADC** reserves the right to make changes from time to time, without notice or obligation, in prices, specifications, colors, and material, and to change or discontinue models.

Important

For your convenience, log the following information:

DATE OF PURCHASE _____ MODEL NO. **AD95HS** _____

DISTRIBUTORS NAME _____

Serial Number(s) _____

Replacement parts can be obtained from your distributor or the **ADC** factory. When ordering replacement parts from the factory, you can FAX your order to **ADC** at (508) 678-9447 or telephone your orders directly to the **ADC** Parts Department at (508) 678-9000. Please specify the dryer **model number** and **serial number** in addition to the **description** and **part number**, so that your order is processed accurately and promptly.

"IMPORTANT NOTE TO PURCHASER"

Information must be obtained from your local gas supplier on the instructions to be followed if the user smells gas. These instructions must be posted in a prominent location near the dryer.

IMPORTANT

YOU MUST DISCONNECT and LOCKOUT THE ELECTRIC SUPPLY and THE GAS SUPPLY or THE STEAM SUPPLY BEFORE ANY COVERS or GUARDS ARE REMOVED FROM THE MACHINE TO ALLOW ACCESS FOR CLEANING, ADJUSTING, INSTALLATION, or TESTING OF ANY EQUIPMENT per OSHA (Occupational Safety and Health Administration) STANDARDS.

“Caution: Label all wires prior to disconnection when servicing controls. Wiring errors can cause improper operation.”

«Attention: Lor des opérations d’entretien des commandes étiqueter tous fils avant de les déconnecter. Toute erreur de câblage peut être une source de danger et de panne.»

CAUTION

DRYERS SHOULD NEVER BE LEFT UNATTENDED WHILE IN OPERATION.

WARNING

**CHILDREN SHOULD NOT BE ALLOWED TO PLAY ON OR NEAR THE DRYER(S).
CHILDREN SHOULD BE SUPERVISED IF NEAR DRYERS IN OPERATION.**

FOR YOUR SAFETY

**DO NOT DRY MOP HEADS IN THE DRYER.
DO NOT USE DRYER IN THE PRESENCE OF DRY CLEANING FUMES.**

WARNING

UNDER NO CIRCUMSTANCES should the door switch or the heat circuit devices ever be disabled.

WARNING

The dryer must never be operated with any of the back guards, outer tops, or service panels removed. **PERSONAL INJURY or FIRE COULD RESULT.**

WARNING

DRYER MUST NEVER BE OPERATED WITHOUT THE LINT FILTER/SCREEN IN PLACE, EVEN IF AN EXTERNAL LINT COLLECTION SYSTEM IS USED.

IMPORTANT

PLEASE OBSERVE ALL SAFETY PRECAUTIONS displayed on the equipment and/or specified in the installation and operator's manual included with the dryer.

Dryers **must not** be installed or stored in an area where it will be exposed to water or weather.

The wiring diagram for the dryer is located in the front electrical control box area.

Table of Contents

SECTION I

IMPORTANT INFORMATION	2
A. RECEIVING AND HANDLING	2
B. SAFETY PRECAUTIONS	3

SECTION II

SPECIFICATIONS/COMPONENT IDENTIFICATION	5
A. SPECIFICATIONS	5
B. COMPONENT IDENTIFICATION	7

SECTION III

INSTALLATION PROCEDURES	9
A. LOCATION REQUIREMENTS	9
B. UNPACKING / SETTING UP	10
C. DRYER ENCLOSURE REQUIREMENTS	12
D. FRESH AIR SUPPLY	13
E. EXHAUST REQUIREMENT	14
F. ELECTRICAL INFORMATION	20
G. GAS INFORMATION	24
H. PREPARATION FOR OPERATION/START-UP	29
I. PREOPERATIONAL TESTS	30
J. OPERATING INSTRUCTIONS	31
K. SHUT DOWN INSTRUCTIONS	32

SECTION IV

SERVICE/PARTS INFORMATION	33
A. SERVICE	33
B. PARTS	33

SECTION V

WARRANTY INFORMATION	34
A. RETURNING WARRANTY CARD(S)	34
B. WARRANTY	34
C. RETURNING WARRANTY PART(S)	34

SECTION VI

ROUTINE MAINTENANCE	36
A. CLEANING	36
B. ADJUSTMENTS	38
C. LUBRICATION	38

SECTION VII

PROCEDURE FOR FUNCTIONAL CHECK OF REPLACEMENT COMPONENTS	39
--	----

SECTION I

IMPORTANT INFORMATION

A. RECEIVING AND HANDLING

The dryer is shipped in a protective stretch wrap cover with protective cardboard corners and top cover (or optional box) as a means of preventing damage in transit. Upon delivery, the dryer and/or protective packaging, and wooden skid **should be** visually inspected for shipping damage. If any damage whatsoever is noticed, inspect further before delivering carrier leaves.

Dryers damaged in shipment:

1. **ALL** dryers **should be** inspected upon receipt and before they are signed for.
2. If there is suspected damage or actual damage, the trucker's receipt **should be** noted.
3. If the dryer is damaged beyond repair, it **should be** refused. The dryers which were not damaged in a damaged shipment **should be** accepted, but the number received and number refused **must be** noted on the receipt.
4. If you determine that the dryer was damaged after the trucker has left your location, you should call the delivering carrier's freight terminal immediately and file a claim. The freight company considers this concealed damage. This type of freight claim is very difficult to get paid and becomes extremely difficult when more than a day or two passes after the freight was delivered. It is your responsibility to file freight claims. Dryers/parts damaged in transit **cannot** be claimed under warranty.
5. Freight claims are the responsibility of the consignee, and **ALL** claims **must be** filed at the receiving end. ADC assumes no responsibility for freight claims or damages.
6. If you need assistance in handling the situation, please contact the ADC traffic manager at (508) 678-9000.

IMPORTANT: The dryer must be transported and handled in an upright position at all times.

B. SAFETY PRECAUTIONS

WARNING: For your safety, the information in this manual **must be** followed to minimize the risk of fire or explosion or to prevent property damage, personal injury or loss of life.

WARNING: The dryer must never be operated with any of the back guards, outer tops, or service panels removed.
PERSONAL INJURY or FIRE COULD RESULT.

1. **DO NOT** store or use gasoline or other flammable vapors and liquids in the vicinity of this or any other appliance.
2. Purchaser/user should consult the local gas supplier for proper instructions to be followed in the event the user smells gas. The instructions **should be** posted in a prominent location.
3. **WHAT TO DO IF YOU SMELL GAS...**
 - a. **DO NOT** try to light any appliance.
 - b. **DO NOT** touch any electrical switch.
 - c. **DO NOT** use any phone in your building.
 - d. Clear the room, building or area of **ALL** occupants.
 - e. Immediately call your gas supplier from a neighbor's phone. Follow gas supplier's instructions.
 - f. If you **cannot** reach your gas supplier, call the fire department.
4. Installation and service **must be** performed by a qualified installer, service agency, or the gas supplier.
5. Dryer(s) **must be** exhausted to the outdoors.
6. Although ADC produces a very versatile machine, there are some articles that, due to fabric composition or cleaning method, should not be dried in it.

WARNING: Dry only water-washed fabrics. **DO NOT** dry articles spotted or washed in dry cleaning solvents, a combustible detergent, or "all purpose" cleaner.
EXPLOSION COULD RESULT.

WARNING: **DO NOT** dry rags or articles coated or contaminated with gasoline, kerosene, oil, paint, or wax.
EXPLOSION COULD RESULT.

WARNING: DO NOT dry mop heads. Contamination by wax or flammable solvents will create a fire hazard.

WARNING: DO NOT use heat for drying articles that contain plastic, foam, sponge rubber, or similarly textured rubber-like materials. Drying in a heated basket (tumbler) may damage plastics or rubber and also may be a fire hazard.

7. A program **should be** established for the inspection and cleaning of the lint in the burner area, exhaust duct work area around the back of the dryer. The frequency of inspection and cleaning can best be determined from experience at each location.

WARNING: The collection of lint in the burner area and exhaust duct work can create a potential fire hazard.

8. For personal safety, the dryer **must be** electrically grounded in accordance with local codes and/or the National Electric Code ANSI/NFPA NO. 70-LATEST EDITION, or in CANADA, the Canadian Electrical Codes Parts 1 & 2 CSA C22.1-1990 or LATEST EDITION.

NOTE: Failure to do so will **VOID THE WARRANTY.**

9. Under no circumstances should the dryer door switch, lint drawer switch or heat circuit safety devices ever be disabled.

WARNING: PERSONAL INJURY or FIRE COULD RESULT.

10. This dryer is not to be used in the presence of dry cleaning solvents or fumes.
11. Remove articles from the dryer as soon as the drying cycle has been completed.

WARNING: Articles left in the dryer after the drying and cooling cycles have been completed can create a fire hazard.

12. READ and FOLLOW **ALL** CAUTION and DIRECTION LABELS ATTACHED TO DRYER.

IMPORTANT: YOU MUST DISCONNECT and LOCKOUT THE ELECTRIC SUPPLY and THE GAS SUPPLY BEFORE ANY COVERS or GUARDS ARE REMOVED FROM THE MACHINE TO ALLOW ACCESS FOR CLEANING, ADJUSTING, INSTALLATION, or TESTING OF ANY EQUIPMENT per OSHA (Occupational Safety and Health Administration) STANDARDS.

SECTION II

SPECIFICATIONS / COMPONENT IDENTIFICATION

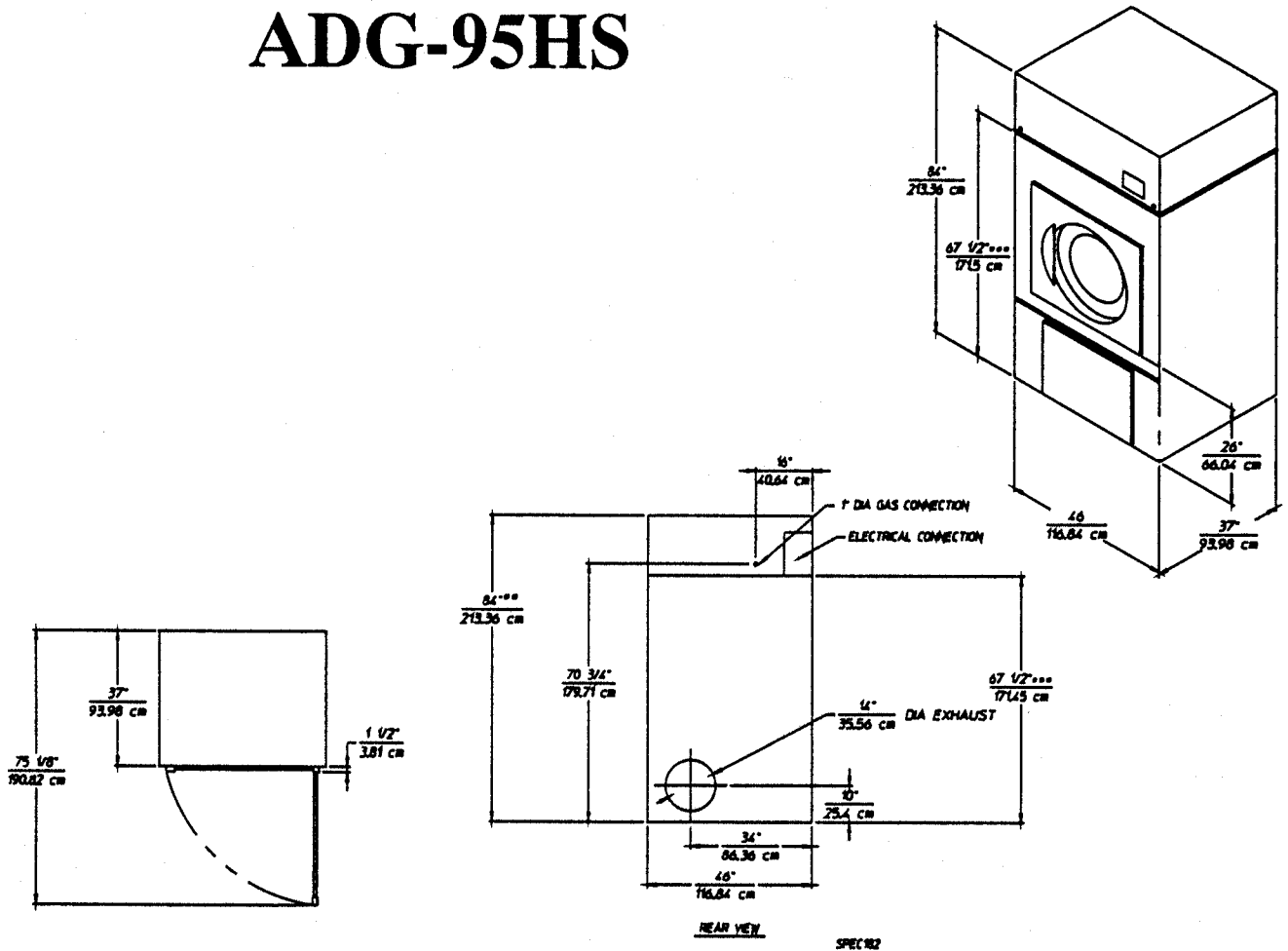
A. SPECIFICATIONS

Maximum Capacity (dry weight)	120 lbs	43.2 kg	
Basket Diameter	41-3/4"	106 cm	
Basket Depth	32-5/8"	82.87 cm	
Basket Motor	1/2 HP	.373 kw	
Blower Motor	3 HP	2.238 kw	
Door Opening (Diameter)	31-1/4"	79.38 cm	
Basket Volume	25 cu ft	.708 cu.m.	
GAS	Voltage Available	208-460v / 3 ϕ / 3, 4w 50/60Hz	
	Heat Input	310,000 btu/hr	78,115 kcal/hr
	Approx. Weight (uncrated)		
	Approx. Weight (crated)		
	Airflow	2,000 cfm	56.6 cmm
	Inlet Size	1"	2.54 cm

Shaded areas are in metric equivalents.

NOTE: ADC RESERVES THE RIGHT TO MAKE CHANGES IN SPECIFICATIONS AT ANY TIME, WITHOUT NOTICE or OBLIGATION.

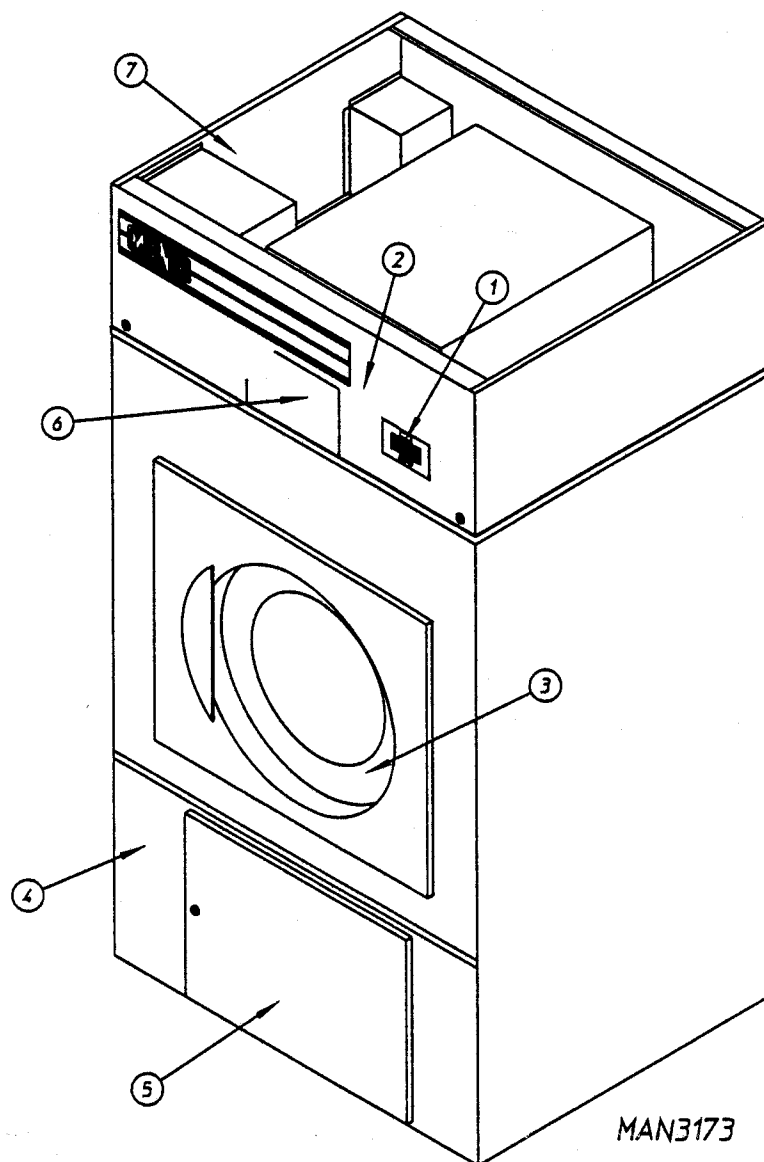
ADG-95HS



NOTE: ADC reserves the right to make changes in specifications at any time, without notice or obligation.

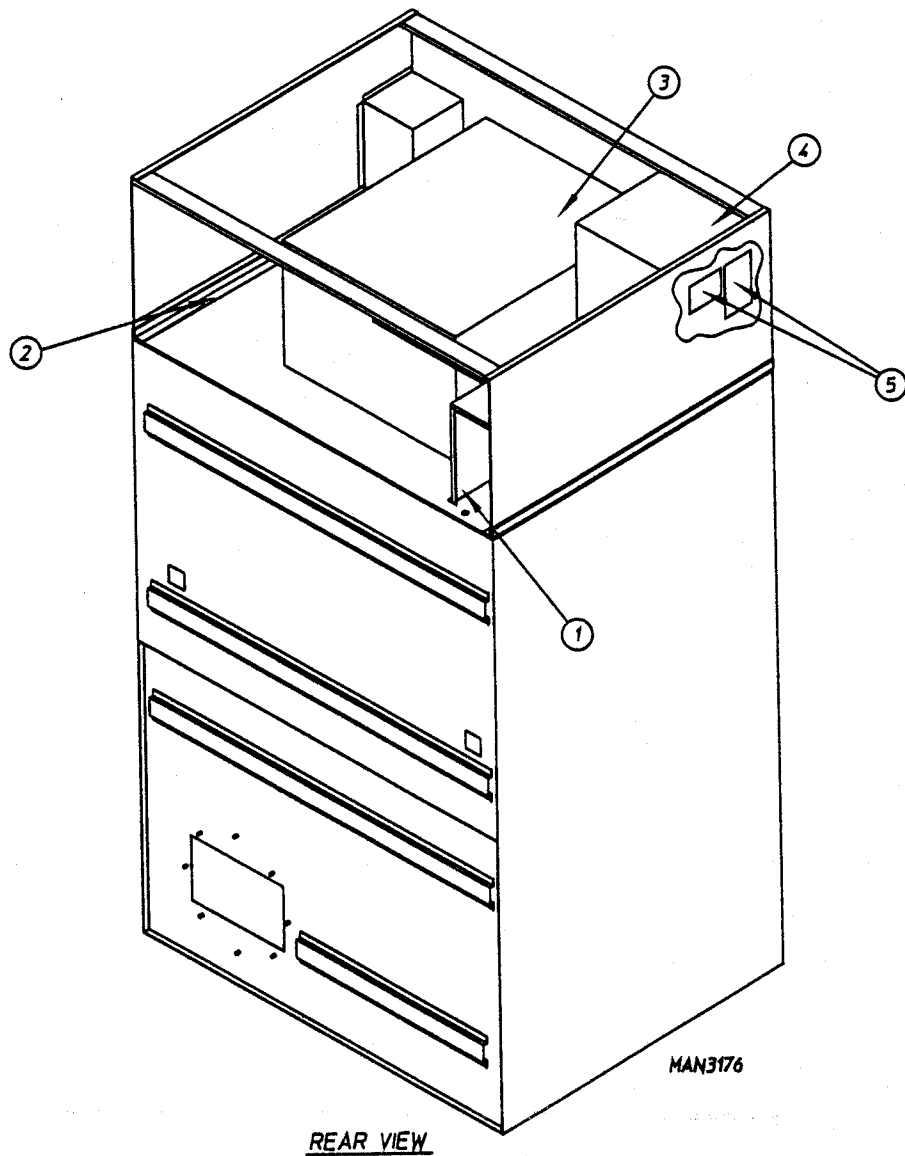
B. COMPONENT IDENTIFICATION

1. DRYER FRONT VIEW



<u>Illus. No.</u>	<u>Description</u>
1	Microprocessor Control/Keyboard Panel Assembly (Controls)
2	Control (Top Access) Door Assembly
3	Main Door Assembly
4	Lint Panel Assembly
5	Lint Door
6	Wire Diagram (Located Behind Control Door)
7	Top Console (Module) Assembly

2. DRYER REAR VIEW



<u>Illus. No.</u>	<u>Description</u>
1	Electrical Service Connections
2	Top Console
3	Heating Unit
4	Relay/Wiring Box
5	Data Label and Installation Label

SECTION III

INSTALLATION PROCEDURES

Installation **should be** performed by competent technicians in accordance with local and state codes. In the absence of these codes, installation **must conform** to applicable AMERICAN NATIONAL STANDARDS:

ANSI Z223.1 - LATEST EDITION (NATIONAL FUEL CODE)

ANSI/NFPA No. 70 LATEST EDITION (NATIONAL ELECTRIC CODE)

or in CANADA, the installation **must conform** to applicable CANADIAN STANDARDS:

CAN/CGA-B149.1-M91 (Natural Gas) or CAN/CGA-B149.2-M91 (L.P. Gas) or LATEST EDITION (for GENERAL INSTALLATION and GAS PLUMBING)

or

CANADIAN ELECTRICAL CODES PARTS 1 & 2 CSA C22.1-1990 or LATEST EDITION (for ELECTRICAL CONNECTIONS).

A. LOCATION REQUIREMENTS

Before installing the dryer, be sure the location conforms to local codes and ordinances. In absence of such codes or ordinances location must conform with the National Fuel Gas Code ANSI Z223.1-LATEST EDITION, or in CANADA, the Canadian Installation Codes CAN/CGA-B149.1-M91 (Natural Gas) or CAN/CGA-B149.2-M91 (L.P. Gas) or LATEST EDITION.

1. The dryer **must be** installed on a sound level floor capable of supporting its weight. It is recommended that carpeting be removed from the floor area that the dryer is to rest on.
2. The dryer **must not be** installed or stored in an area where it will be exposed to water and/or weather.
3. This dryer is for use in noncombustible locations.
4. Provisions for adequate air supply must be provided as noted in this manual (refer to **Fresh Air Supply** in Section D).
5. Clearance provisions **must be** made from combustible construction as noted in this manual (refer to **Dryer Enclosure Requirements** in Section C).
6. Provisions **must be** made for adequate clearances for servicing and for operation as noted in this manual (refer to **Dryer Enclosure Requirements** in Section C).
7. Dryer **must be** exhausted to the outdoors (refer to **Exhaust Requirements** in Section E).
8. Dryer **must be** located in an area where correct exhaust venting can be achieved as noted in this manual (refer to **Exhaust Requirements** in Section E).

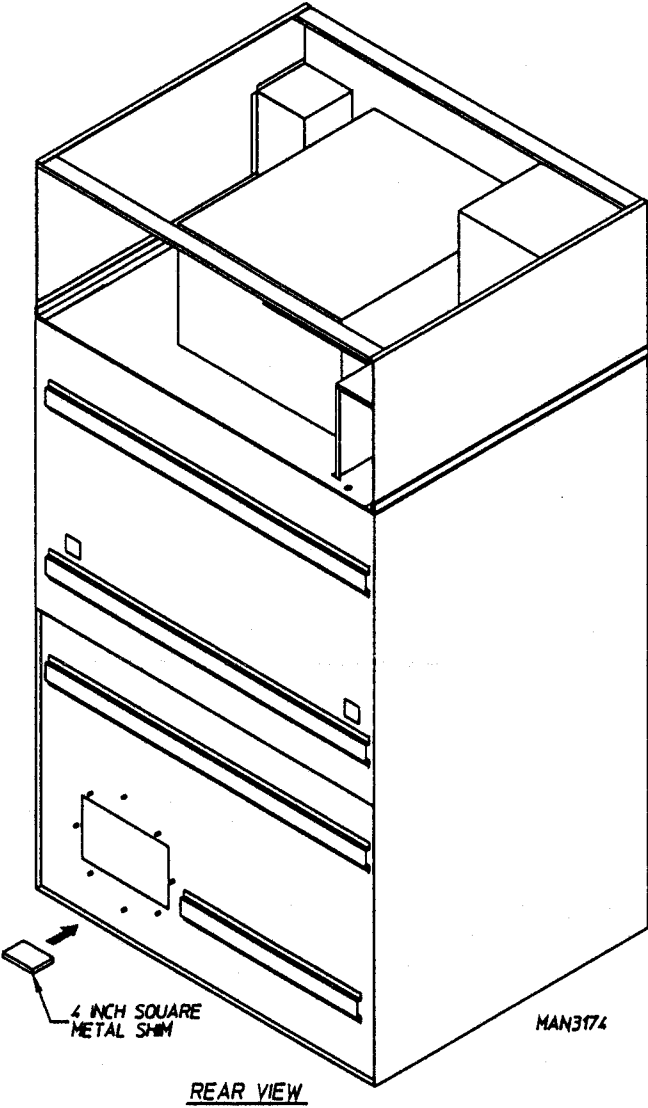
IMPORTANT: Dryer should be located where a minimum amount of exhaust duct will be necessary.

B. UNPACKING / SETTING UP

Remove protective shipping material (i.e., plastic wrap and/or optional shipping box) from dryer.

IMPORTANT: Dryer must be transported and handled in an upright position at all times.

The dryer can be moved to its final location while still attached to the skid or with the skid removed. To un-skid the dryer, locate and remove the two (2) lag bolts securing the dryer to the wooden skid. These are located in both motor compartments in the front of the machine. To remove the two (2) lag bolts, remove the lint chamber panel along with the lint door. The dryer is also secured with a bar in the rear of the machine remove this bar to free the dryer from skid.



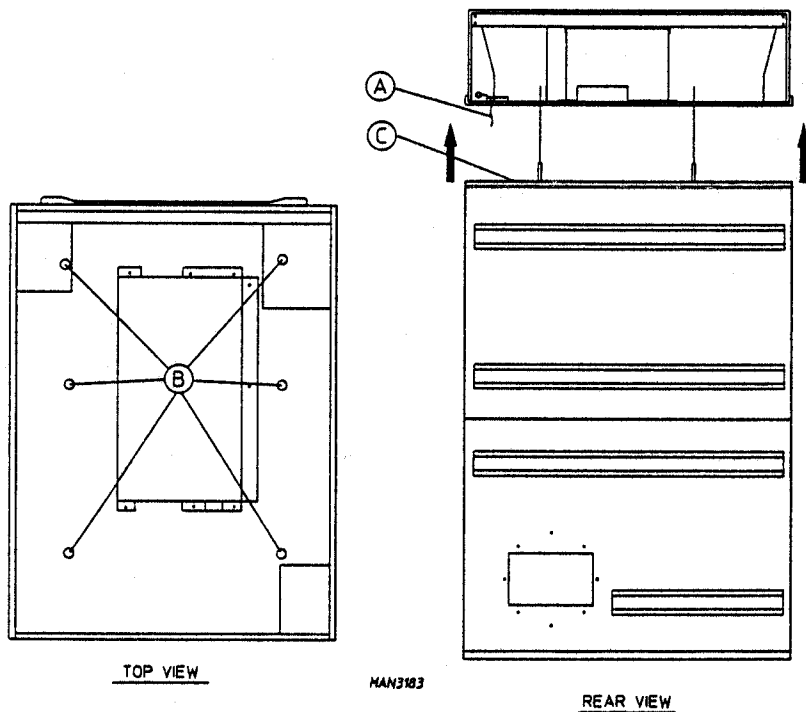
1. LEVELING DRYER

- a. To level dryer, place 4-inch square metal shims (refer to **illustration on page 10**) or other suitable material under the base pads. It is suggested that the dryer be tilted slightly to the rear.
2. If more headroom is needed when moving dryer into position, the top console (module) may be removed.
 - a. To remove top console (module)

NOTE: DO NOT have power connected when separating the top console.

- 1) Disconnect the ground wire at the Rear of Dryer.
- 2) Remove the six (6) set of nuts and washers (B) holding the console (module) to base.
(Located within control boxes)
- 3) Open control door/control panel and disconnect the following:
 - a. On the right side box, disconnect the 4 pin and 2 pin plug.
 - b. On the left side box, disconnect the drive and blower motor wires, along with the 2 red and 2 black wires.
- 4) Lift the console (module) off of the dryer base.

IMPORTANT: The dryer **must be** transported and handled in an upright position at all times.

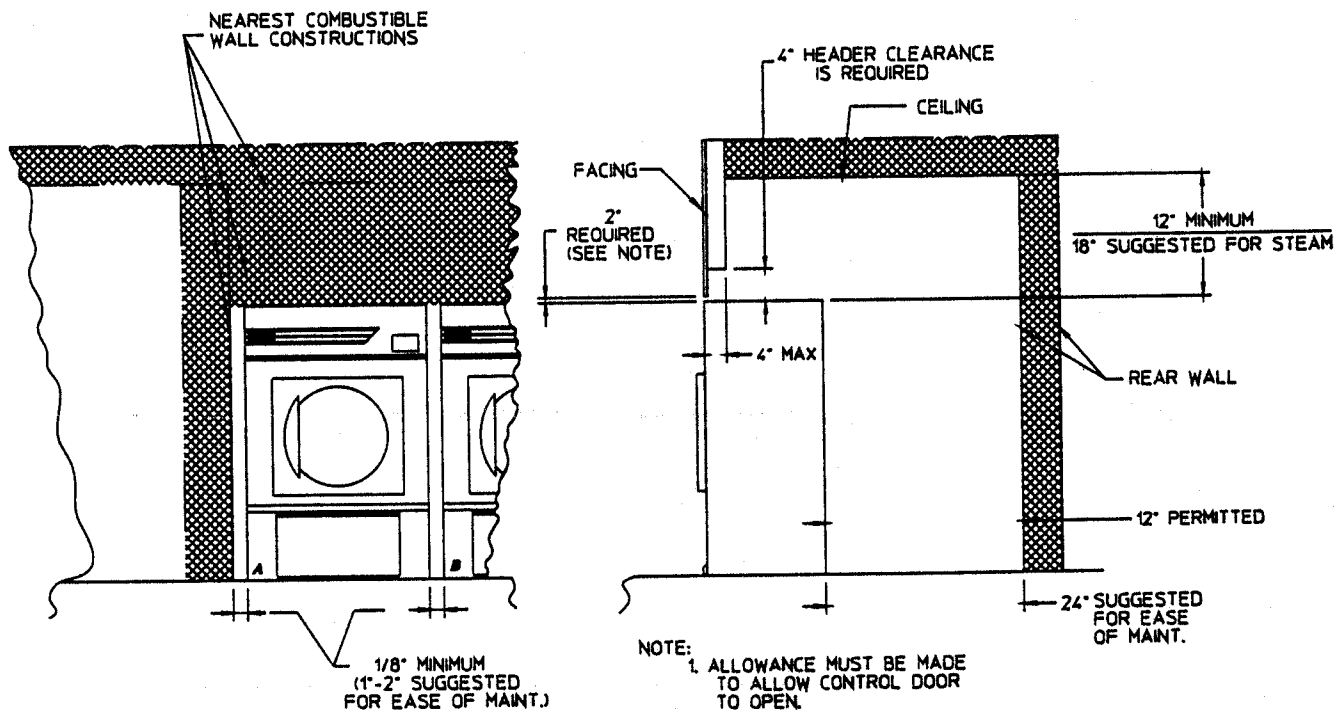


C. DRYER ENCLOSURE REQUIREMENTS

Even though a 12-inch clearance is acceptable, it is recommended that the rear of the dryer be positioned approximately two (2) feet (24-inches) from nearest obstruction (i.e., wall) for ease of installation, maintenance, and service. Bulkheads and partitions **should be** made from noncombustible materials. The clearance between the bulkhead header and the dryer **must be** a minimum of 4-inches and must not extend more than 4-inches to the rear of the dryer front. The bulkhead facing must not be closed in all the way to the top of the dryer. A 2-inch clearance is required.

NOTE: Bulkhead facing **should not be** installed until after dryer is in place. Ceiling area **must be** located a minimum of 12-inches above the top of the dryer.

NOTE: When fire sprinkler systems are located above the dryers, a minimum of 18-inches above the dryer console (module) is suggested. Dryers may be positioned side wall to side wall however, 1 or 2-inches is suggested between dryers (or wall) for ease of installation and maintenance. Allowances **must be** made for the opening and closing of the control and lint doors.



INSTALLATION: DRYER CLEARANCE TO ADJACENT WALL STRUCTURES.

D. FRESH AIR SUPPLY

When the dryer is operating, it draws in room air, heats it, passes this air through the basket (tumbler), and exhausts it out of the building. Therefore, the room air **must be** continually replenished from the outdoors. If the make-up air is inadequate, drying time and drying efficiency will be adversely affected. Ignition problems and sail switch “fluttering” problems may result, as well as premature motor failure from overheating.

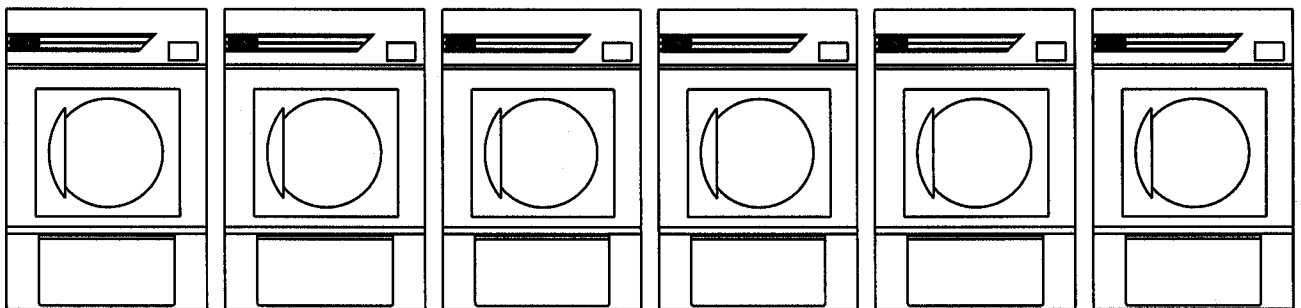
Air supply (make-up air) **must be** given careful consideration to assure proper performance of each dryer. An unrestricted source of air is necessary for each dryer. An air flow of 2,000 cfm (cubic feet per minute) **must be** supplied to each dryer. As a general rule, an unrestricted air entrance from the outdoors (atmosphere) of a minimum of three (3) square feet is required for each gas dryer.

To compensate for the use of registers or louvers used over the openings, this make-up air area **must be** increased by approximately thirty-three (33) percent. Make-up air openings should not be located in an area directly near where exhaust vents exit the building.

It is not necessary to have a separate make-up air opening for each dryer. Common make-up air openings are acceptable. However, they **must be** set up in such a manner that the make-up air is distributed equally to **ALL** the dryers.

EXAMPLE: For a bank of six (6) gas dryers, two (2) openings measuring 3 feet by 3 feet (18 square feet) is acceptable.

Allowances **must be** made for remote or constricting passageways or where dryers are located at excessive altitudes or predominantly low pressure areas.



MAN3181

TYPICAL INSTALLATION SHOWING MAKE-UP AIR OPENINGS

IMPORTANT: Make-up air **must be** provided from a source free of dry cleaning solvent fumes. Make-up air that is contaminated by dry cleaning solvent fumes will result in irreparable damage to motors and other dryer components.

NOTE: Component failure due to dry cleaning solvent fumes **VOIDS THE WARRANTY.**

E. EXHAUST REQUIREMENT

1. GENERAL EXHAUST DUCT WORK INFORMATION

Exhaust duct work **should be** designed and installed by a qualified professional. Improperly sized duct work will create excessive back pressure which results in slow drying, increased use of energy, overheating of the dryer, and shutdown of the burner by the air flow (sail) switches, burner hi-limits, or basket (tumbler) hi-heat thermostats..

CAUTION: DRYER MUST BE EXHAUSTED TO THE OUTDOORS.

CAUTION: IMPROPERLY SIZED OR INSTALLED EXHAUST DUCT WORK CAN CREATE A POTENTIAL FIRE HAZARD.

NOTE: When a dryer is exhausted separately, it is recommended that a back draft damper be installed.

NOTE: When dryers are exhausted into multiple (common) exhaust line, each dryer **must be** supplied with a back draft damper.

The duct work **should be** laid out in such a way that the duct work travels as directly as possible to the outdoors with as few turns as possible. Single or independent dryer venting is recommended. When single dryer venting is used, the duct work from the dryer to the outside exhaust outlet **should not** exceed twenty (20) feet. In the case of multiple (common) dryer venting, the distance from the last dryer to the outside exhaust outlet **should not** exceed twenty (20) feet. The shape of the duct work is not critical so long as the minimum cross section area is provided. It is suggested that the use of 90° turns in ducting be avoided; use 30° and/or 45° angles instead. The radius of the elbows should preferably be 1-1/2 times the diameter of the duct. Excluding basket/dryer elbow connections or elbows used for outside protection from the weather, no more than two (2) elbows **should be** used in the exhaust duct run. If more than two (2) elbows are used, the cross section area of the duct work **must be** increased in proportion to number of elbows added.

ALL duct work should be smooth inside with no projections from sheet metal screws or other obstructions which will collect lint. When adding ducts, the duct to be added should overlap the duct to which it is to be connected. ALL duct work joints must be taped to prevent moisture and lint from escaping into the building. Inspection doors should be installed at strategic points in the exhaust duct work for periodic inspection and clean-out of lint from the duct work.

IMPORTANT: Exhaust back pressure measured by a manometer at each basket exhaust duct area **should not** exceed 0.3 inches of water column.

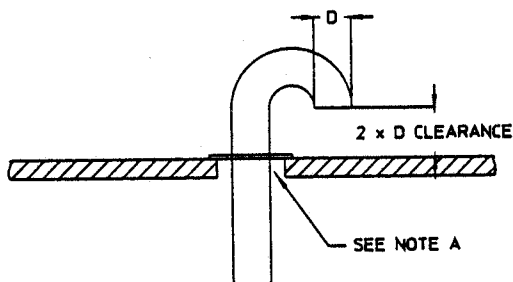
NOTE: Where the exhaust duct work passes through a wall, ceiling, or roof made of combustible materials, the opening **must be** 2-inches larger (all the way around) than the duct. The duct **must be** centered within this opening.

a. Outside Duct Work Protection

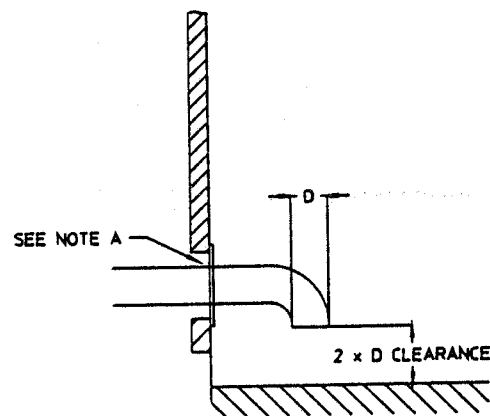
- 1) To protect the outside end of horizontal duct work from the weather, a 90° elbow bent downward should be installed where the exhaust exits the building. If the exhaust duct work travels vertically up through the roof, it should be protected from the weather by using a 180° turn to point the opening downward. In either case, allow at least twice the diameter of the duct between the duct opening and the nearest obstruction.

IMPORTANT: DO NOT use screens or caps on the outside of opening of exhaust duct work.

VERTICAL DUCTING



HORIZONTAL DUCTING



NOTE "A": OPENING MUST BE TWO (2) INCHES LARGER THAN DUCT (ALL THE WAY AROUND). THE DUCT MUST BE CENTERED WITHIN THIS OPENING.

MAN0731

2. SINGLE DRYER VENTING

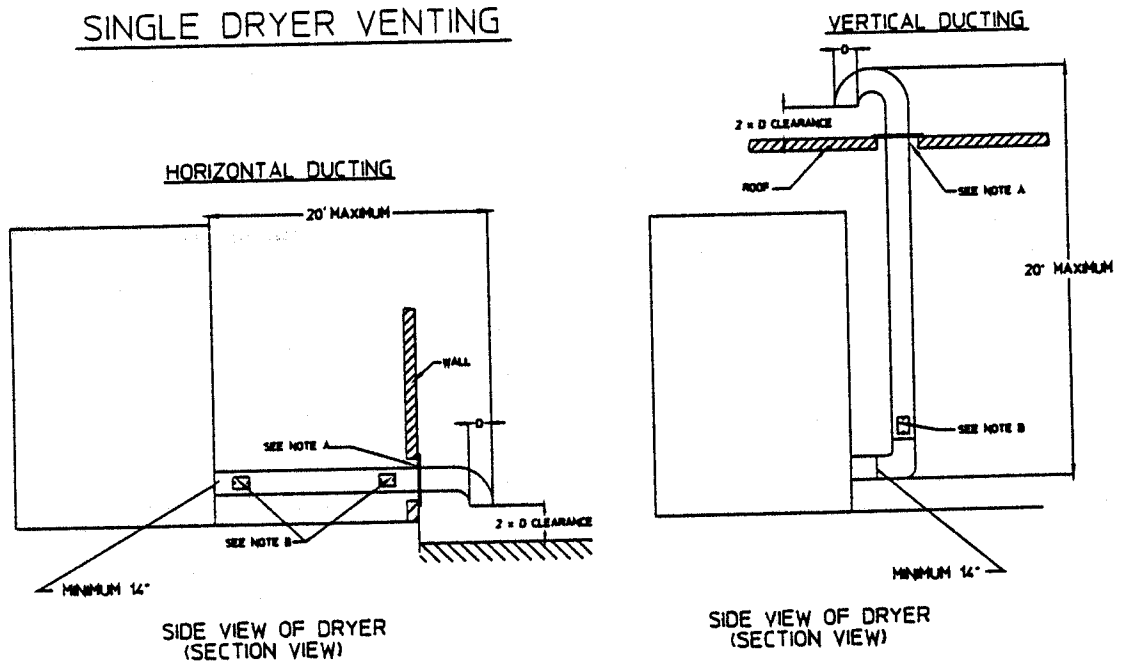
Where possible, it is suggested to provide a separate exhaust duct for each dryer. The exhaust duct **should be** laid out in such a way that the duct work travels directly as possible to the outdoors with as few turns as possible. It is suggested that the use of 90° turns in ducting be avoided; use 30° and/or 45° angles instead. The shape of the exhaust duct work is not critical so long as the minimum cross section area is provided.

IMPORTANT: Minimum duct size for a dryer is 14-inches for a round duct or 12.50" x 12.50" for a square duct. Duct size **must not** be reduced anywhere down stream of dryer.

IMPORTANT: Exhaust back pressure measured by a manometer at each basket (tumbler) exhaust duct area **should not** exceed 0.3 inches of water column.

It is suggested that the duct work from each dryer be a minimum 14-inches and not exceed twenty (20) feet with no more than two (2) elbows (excluding dryer connections and outside exhaust outlets). If the duct exceeds twenty (20) feet or has numerous elbows, the cross section area of the duct work **must be** increased in proportion to the length and number of elbows in it. In calculating duct size, the cross section area of a square or rectangular duct **must be** increased by twenty (20) percent for each additional twenty (20) feet. The diameter of a round exhaust duct **should be** increased ten (10) percent for each additional fifteen (15) feet. Each 90° elbow is equivalent to an additional thirty (30) feet, and each 45° elbow is equivalent to an additional fifteen (15) feet.

SINGLE DRYER VENTING



NOTE: 'A'- OPENING MUST BE TWO (2) INCHES LARGER THAN DUCT (ALL THE WAY AROUND).
THE DUCT MUST BE CENTERED WITHIN THIS OPENING.
'B'- INSPECTION DOORS SHOULD BE INSTALLED AT STRATEGIC
POINTS FOR PERIODIC INSPECTION AND CLEANING

MAN3171

IMPORTANT: For extended duct work runs, the cross section area of the duct work can only be increased to an extent. Maximum proportional duct work runs **cannot** exceed twenty (20) feet more than the original limitations of twenty (20) feet with two (2) elbows. When the duct work approaches the maximum limits as noted in this manual, a professional heating venting air conditioning (HVAC) firm **should be** consulted for proper venting information.

ALL duct work should be smooth inside with no projections from sheet metal screws or other obstructions which collect lint. When adding ducts, the duct to be added should overlap the duct to which it is to be connected. **ALL** duct work joints must be taped to prevent moisture and lint from escaping into the building. Inspection doors should be installed at strategic points in the exhaust duct work for periodic inspection and clean-out of lint from the duct work.

NOTE: Where the exhaust duct passes through a wall, ceiling, or roof made of combustible materials, the opening must be 2-inches larger (all the way around) than the duct. The duct **must be** centered within this opening.

a. Outside Duct Work Protection

- 1) To protect the outside end of horizontal duct work from the weather, a 90° elbow bent downward **should be** installed where the exhaust exits the building. If the exhaust duct work travels vertically up through the roof, it **should be** protected from the weather by using a 180° turn to point the opening downward. In either case, allow at least twice the diameter of the duct between the duct opening and nearest obstruction.

IMPORTANT: DO NOT use screens, louvers, or caps on the outside of opening of exhaust duct work.

3. MULTIPLE DRYER (COMMON) VENTING

If it is not feasible to provide separate exhaust ducts for each dryer, ducts from individual dryers may be channeled into a “common main duct.” The individual ducts should enter the bottom or side of the main duct at an angle not more than 45° in the direction of air flow and **should be** spaced at least 46 inches apart. The main duct **should be** tapered, with the diameter increasing before each individual 14-inch duct is added.

IMPORTANT: The AD-95 is not provided with back draft damper. When exhausted into multiple (common) exhaust line, back draft damper **must be** installed at each dryer duct.

IMPORTANT: No more than four (4) dryers **should be** connected to one main common duct.

The main duct may be any shape or cross sectional area, so long as the minimum cross section area is provided. The **illustrations** on **page 19** show the minimum cross section area for multiple dryer round or square venting. These figures must be increased 10 square inches when rectangular main ducting is used, and the ratio of duct width to depth should not be greater than 3-1/2 to 1. These figures **must be** increased in proportion if the main duct run to the last dryer to where it exhausts to the outdoors is unusually long (over twenty [20] feet) or has numerous elbows (more than two [2]) in it. In calculating duct work size, the cross section area of a square or rectangular duct **must be** increased twenty (20) percent for each additional twenty (20) feet. The diameter of a round exhaust **must be** increased ten (10) percent for each additional twenty (20) feet. Each 90° elbow is equivalent to an additional thirty (30) feet and each 45° elbow is equivalent to an additional fifteen (15) feet.

IMPORTANT: For extended duct work runs, the cross section area of the duct work can only be increased to an extent. Maximum proportional duct work runs **cannot** exceed twenty (20) feet with two (2) elbows. When the duct work approaches the maximum limits as noted in this manual, a professional HVAC firm should be consulted for proper venting information.

IMPORTANT: Exhaust back pressure measured by a manometer at each dryer exhaust duct area **should not** exceed 0.3 inches of water column.

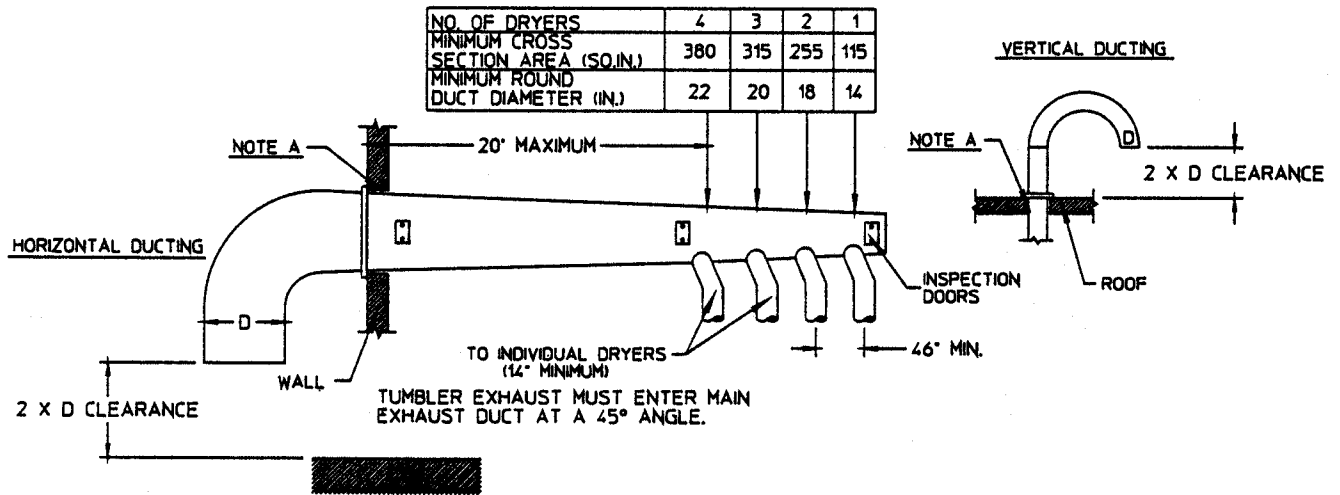
The duct work should be smooth inside with no projections from sheet metal screws or other obstructions which will collect lint. When adding ducts, the duct to be added should overlap the duct to which it is to be connected. **ALL** duct work joints **must be** taped to prevent moisture and lint from escaping into the building. Inspection doors **should be** installed at strategic points in the exhaust duct work for periodic inspection and clean-out of lint from the duct work.

NOTE: Where the exhaust passes through a wall, ceiling, or roof made of combustible materials, the opening **must be** 2-inches larger (all the way around) than the duct. The duct **must be** centered within this opening.

a. Outside Duct Work Protection

- 1) To protect the outside end of horizontal duct work from the weather, a 90° elbow bent downward **should be** installed where the exhaust exits the building. If the exhaust duct work travels vertically up through the roof, it **should be** protected from the weather by using a 180° turn to point the opening downward. In either case, allow at least twice the diameter of the duct between the duct opening and the nearest obstruction.

IMPORTANT: DO NOT use screens, louvers, or caps on the outside of opening of exhaust duct work.



IMPORTANT: NO MORE THAN 4 DRYERS CAN BE CONNECTED TO ONE COMMON DUCT (VENT).

FORMULAS TO CALCULATE DUCTING CROSS SECTIONAL AREA

CROSS SECTIONAL AREA OF A ROUND DUCT = $.785 \times D^2$ WHERE D = DIAMETER OF THE DUCT.

CROSS SECTIONAL AREA OF A RECTANGULAR DUCT = $W \times H$ WHERE W = WIDTH AND H = HEIGHT.

NOTE A: OPENING MUST BE TWO (2) INCHES LARGER THAN DUCT (ALL THE WAY AROUND). THE DUCT MUST BE CENTERED WITHIN THIS OPENING.

MAN3172

F. ELECTRICAL INFORMATION

1. ELECTRICAL REQUIREMENTS

It is your responsibility to have **ALL** electrical connections made by a properly licensed and competent electrician to assure that the electrical installation is adequate and conforms with local and state regulations or codes. In the absence of such codes, **ALL** electrical connections, material, and workmanship **must conform** to the applicable requirements of the National Electrical Code ANSI/NFPA NO. 70-LATEST EDITION, or in CANADA, the Canadian Electrical Codes Parts 1 & 2 CSA C22.1-1990 or LATEST EDITION.

IMPORTANT: Failure to comply with these codes or ordinances, and/or the requirements stipulated in this manual can result in personal injury or component failure.

NOTE: Component failure due to improper installation will **VOID THE WARRANTY**.

Each dryer **should be** connected to an independently protected branch circuit. The dryer **must be** connected with copper wire only. **DO NOT** use aluminum wire which could cause a fire hazard. The copper conductor wire/cable **must be** of proper ampacity and insulation in accordance with electric codes for making **ALL** service connections.

NOTE: The use of aluminum wire will **VOID THE WARRANTY**.

NOTE: Wiring diagrams are affixed to the inside at the top front control door and to the rear upper back guard/panel.

2. ELECTRICAL SERVICE SPECIFICATIONS

ADG-95HS Reversing, 3Ø Motor							
IMPORTANT: 208 VAC and 230/240 VAC <u>are not</u> the same. When ordering, specify exact voltage.							
NOTES: A. Fuse ratings are dual element-time delay-current limiting, class RK1 or RK5 ONLY . B. Circuit breakers are thermal magnetic (industrial) type ONLY . For others, calculate/verify correct breaker size according to appliance amp draw rating and type of breaker used. C. Circuit breakers for 3Ø dryers must be 3-pole type.							
SERVICE VOLTAGE	PHASE	WIRE SERVICE	APPROX. AMP DRAW		MINIMUM WIRE SIZE*	FUSING	CIRCUIT BREAKER
			60 Hz	50 Hz		Dual Element Time Delay	
208	3Ø	3/4	13.5	--	12	--	25
230/240	3Ø	3/4	12.5	--	12	--	25
380/400	3Ø	3/4	--	6.9	14	--	15
416	3Ø	3/4	--	6.6	14	--	15
460/480	3Ø	3/4	6.8	--	14	--	15

* AWG Stranded Type Wire ... for individual lengths less than 100 feet.
(Motor lead type wire is recommended.)

IMPORTANT: The dryer **must** be connected to the electrical supply shown on the data label that is affixed to the back of the dryer, at the upper right hand corner. In the case of 208 VAC or 230/240 VAC, the supply voltage must match the electric service specifications of the data label exactly.

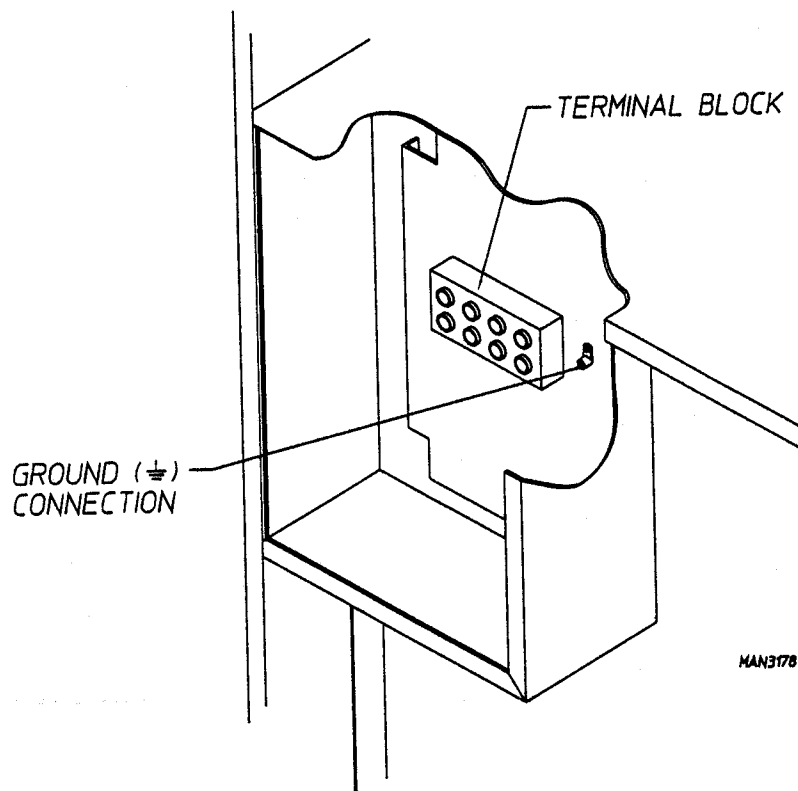
WARNING: 208 VAC and 230/240 VOLTS **ARE NOT THE SAME**. Any damage done to dryer components due to improper voltage connections will automatically **VOID THE WARRANTY**.

NOTE: ADC reserves the right to make changes in specifications at any time, without notice or obligation.

3. ELECTRICAL CONNECTIONS

NOTE: A wiring diagram is included with each dryer and is affixed to the rear, upper right guard/panel of the dryer.

The only electrical input connections to the dryer are the 3-phase (3 \emptyset) power leads (L1, L2, and L3), GROUND, and in the case of 4 wire service, the neutral. Providing local codes permit, power connections to the dryer can be made by the use of flexible underwriters laboratory listed cord/pigtail (wire size **must conform** to rating of the dryer), or the dryer can be hard wired directly to the service breaker. In **ALL** cases, a strain relief **must be** used where the wire(s) enter the dryer electrical service (relay) box.



These electrical connections are made at the terminal block located in the electric service box at the rear, upper right hand corner of the dryer. To gain access into this service box, the service cover **must be** removed.

NOTE: A CIRCUIT SERVING EACH DRYER MUST BE PROVIDED.

4. GROUNDING

Grounding (earth) connections **must be** provided and installed in accordance with state and local codes. In the absence of these codes, grounding must conform to applicable requirements of the National Electric Code ANSI/NFPA NO. 70-LATEST EDITION, or in CANADA, the Canadian Electrical Codes Parts 1 & 2 CSA C22.1-1990 or LATEST EDITION. The ground connection may be to a proven earth ground at the location service panel..

NOTE: A grounding connection (terminal lug) is provided in the dryers electrical service box at rear.

For added personal safety, when possible, it is suggested that a separate ground wire (sized per local codes) be connected from the ground connection of the dryer to a grounded cold water pipe. **DO NOT** ground to a gas or hot water pipe. The grounded cold water pipe must have metal to metal connections all the way to electrical ground. If there are any non metallic interruptions, such as a meter, pump, plastic, rubber, or other insulating connectors, they **must be** jumped out with no. 4 copper wire and securely clamped to bare metal at both ends.

IMPORTANT: For personal safety and proper operation, the dryer **must be** grounded. For proper operation of the microprocessor (computer), an earth (zero) ground **is required.**

NOTE: Grounding via metallic electrical conduit (pipe) **is not** recommended.

G. GAS INFORMATION

It is your responsibility to have **ALL** plumbing connections made by a qualified professional to assure that the gas plumbing installation is adequate and conforms with local and state regulations or codes. In the absence of such codes, **ALL** plumbing connections, material, and workmanship **must conform** to the applicable requirements of the National Fuel Gas Code ANSI Z223.1-LATEST EDITION, or in CANADA, the Canadian Installation Codes CAN/CGA-B149.1-M91 (Natural Gas) or CAN/CGA-B149.2-M91 (L.P. Gas) or LATEST EDITION.

IMPORTANT: Failure to comply with these codes or ordinances, and/or the requirements stipulated in this manual, can result in personal injury and improper operation of the dryer.

The dryer and its individual shut-off valve must be disconnected from the gas supply piping system during any pressure testing of that system at test pressures in excess of 1/2 psig (3.5 kPa). The dryer must be isolated from the gas supply piping system by closing its individual manual shut-off valve during any pressure testing of the gas supply piping system at test pressures equal to or less than 1/2 psig (3.5 kPa).

IMPORTANT: Failure to isolate or disconnect dryer from supply as noted can cause irreparable damage to the gas valves VOIDING THE WARRANTY.

WARNING: FIRE or EXPLOSION COULD RESULT.

1. GAS SUPPLY

The gas dryer installation must meet the American National Standard: National Fuel Gas Code Z223.1-LATEST EDITION, or in CANADA, the Canadian Installation Codes CAN/CGA-B149.1-M91 (Natural Gas) or CAN/CGA-B149.2-M91 (L.P. Gas) or LATEST EDITION, as well as local codes and ordinances and **must be** done by a qualified professional.

NOTE: Undersized gas piping will result in ignition problems, slow drying, increased use of energy, and can create a safety hazard.

The dryer **must be** connected to the type of heat/gas indicated on the dryer data label affixed to the back of the dryer at the upper right hand corner. If this information does not agree with the type of gas available, **do not** operate the dryer. Contact the distributor who sold the dryer or the ADC factory.

IMPORTANT: Any burner changes or conversions **must** be made by a qualified professional.

The input rating shown on the dryer data label are for elevations of up to 2,000 feet, unless elevation requirements of over 2,000 feet were specified at the time the dryer order was placed with the factory. The adjustment or conversion of dryers in the field for elevations over 2,000 feet are made by changing each burner orifice. If this conversion is necessary, contact the distributor who sold the dryer or contact the ADC factory.

2. TECHNICAL GAS DATA

a. Gas Specifications

	Type of Gas	
	<i>Natural</i>	<i>Liquid Propane</i>
<i>Manifold Pressure*</i>	3.5 - 4.0 inches W.C.	10.5 - 11.0 inches W.C.
<i>Inline Pressure</i>	6.0 to 12.0 inches W.C.	11.0 inches W.C.

* Measured at gas valve pressure tap when the gas valve is on.

b. Gas Connections:

Inlet connection ----- 1-inch N.P.T.
 Inlet supply size ----- 1-inch N.P.T. (minimum)

 Btu/hr input (per dryer) --- 310,000

1) Natural Gas

Regulation is controlled by the dryer's gas valve's internal regulator. Incoming supply pressure must be consistent between a minimum of 6.0 inches and a maximum of 12.0 inches water column pressure.

2) Liquid Propane (L.P.) Gas

Dryers made for use with L.P. gas have the gas valve's internal pressure regulator blocked open so that the gas pressure must be regulated upstream of the dryer. The pressure measured at each gas valve pressure tap must be a consistent 11.0 inches water column. There is no regulator or regulation provided in an L.P. dryer. The water column pressure must be regulated at the source (L.P. tank) or an external regulator must be added to each dryer.

MODEL NUMBER	BTU Per Hour Rating	Type of Gas						L.P. Conversion Kit Part Number
		Natural			Liquid Propane			
		Qty.	D.M.S.*	Part Number	Qty.	D.M.S.*	Part Number	
ADG-95	310,000	3	#10	140836	3	#33	140855	881498 4

* D.M.S. (Drill Material Size) equivalents are as follows:

Natural Gas #10 = .1935

Liquid Propane Gas #33 = .1130

3. PIPING/CONNECTIONS

ALL components/materials **must conform** to National Fuel Gas Code Specifications, or in CANADA, the Canadian Installation Codes (for General Installation and Gas Plumbing). It is important that gas pressure regulators meet applicable pressure requirements and that gas meters be rated for the total amount of all the appliance Btu's being supplied.

The dryer is provided with a 1-inch N.P.T. inlet pipe connection extending out the back area of the burner box. The minimum pipe size connection (supply line) to the dryer is 1-inch N.P.T. for ease of servicing, the gas supply line of each dryer **must have** its own shut-off valve.

The size of the main gas supply line (header) will vary depending on the distance this line travels from the gas meter or, in the case of L.P. gas, the supply tank, other gas-operated appliances on the same supply line, etc. Specific information regarding supply line size **should be** determined by the gas supplier.

NOTE: Undersized gas supply piping can create a low or inconsistent pressure which will result in erratic operation of the burner ignition system.

Consistent gas pressure is essential at **ALL** gas connections. It is recommended that a 1-inch pipe gas loop be installed in the supply line serving a bank of dryers. An in-line pressure regulator must be installed in the gas supply line (header) if the (natural) gas pressure exceeds 12.0 inches of water column pressure.

IMPORTANT: A water column pressure of 3.5 to 4.0 inches for natural gas and 11.0 inches for L.P. dryers is required at the gas valve pressure tap of each dryer for proper and safe operation.

A 1/8-inch N.P.T. plugged tap, accessible for a test gauge connection, must be installed in the main gas supply line immediately upstream of each dryer.

IMPORTANT: Pipe joint compounds that resist the action of natural and L.P. gases **must be used.**

IMPORTANT: Test **ALL** connections for leaks by brushing on a soapy water solution (liquid detergent works well).

WARNING: NEVER TEST FOR GAS LEAKS WITH A FLAME!!!

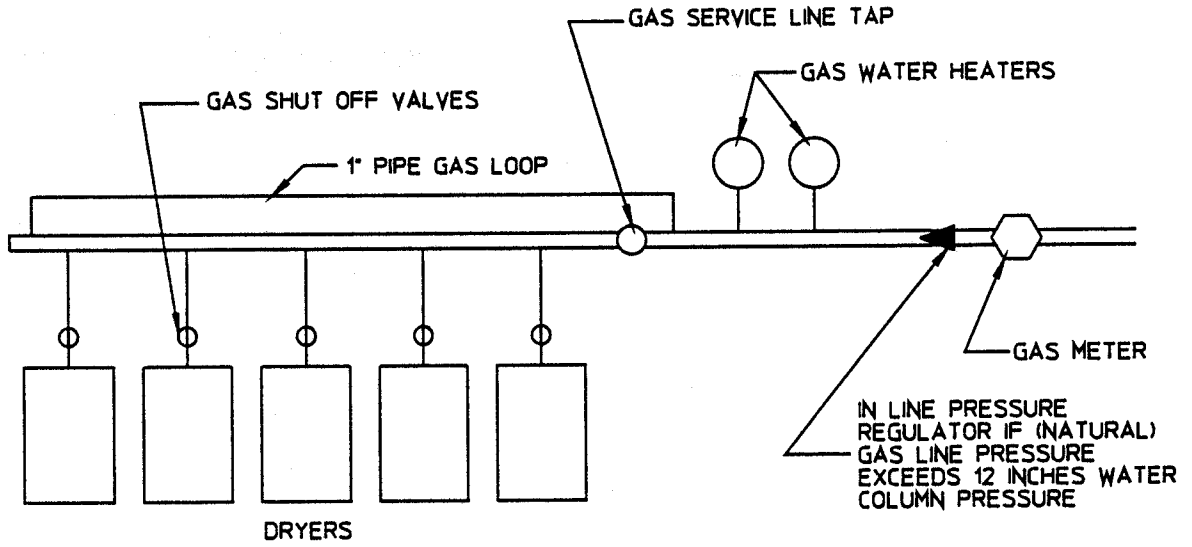
ALL components/materials must conform to National Fuel Gas Code Specifications ANSI Z223.1-LATEST EDITION, or in CANADA, the Canadian Installation Codes CAN/CGA-B149.1-M91 (Natural Gas) or CAN/CGA-B149.2-M91 (L.P. Gas) or LATEST EDITION.

It is important that gas pressure regulators meet applicable pressure requirements, and that gas meters be rated for the total amount of appliance Btu's being supplied.

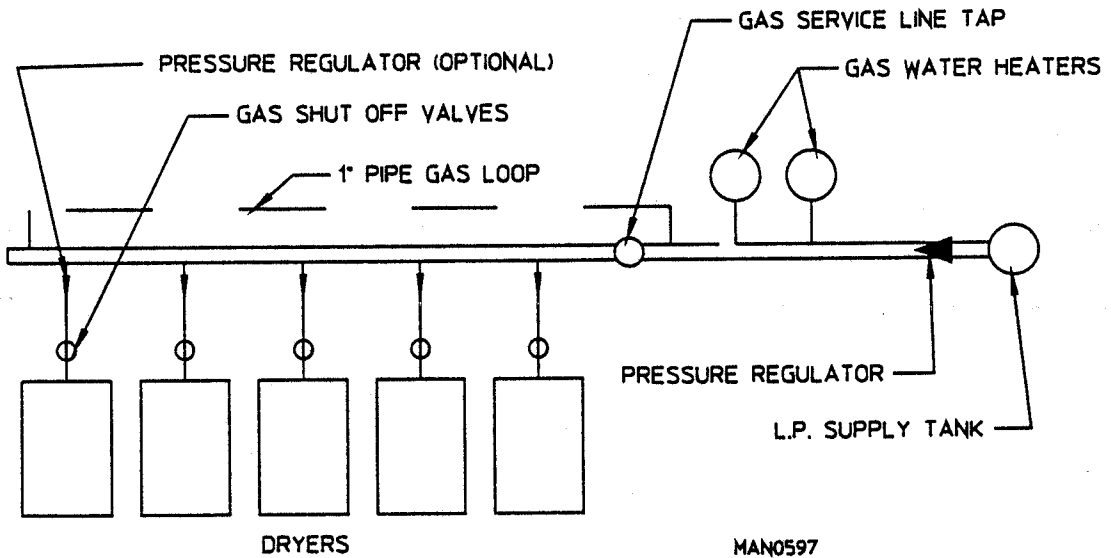
IMPORTANT: The dryer and its individual shut-off valve **must be** disconnected from the gas supply piping system during any pressure testing of that system at test pressures in excess of 1/2 psig (3.5 kPa).

NOTE: The dryer **must be** isolated from the gas supply piping system by closing its individual manual shut off valve during any pressure testing of the gas supply piping system at test pressures equal to or less than 1/2 psig (3.5 kPa).

TYPICAL NATURAL GAS INSTALLATION



TYPICAL L.P. GAS INSTALLATION



MAN0597

H. PREPARATION FOR OPERATION/START-UP

The following items should be checked before attempting to operate the dryer:

1. Read and follow **ALL** “CAUTION,” “WARNING,” and “DIRECTION” labels attached to the dryer.
2. Check incoming supply voltage to be sure that it is the same as indicated on the dryer data label located in the front top console area as shown on **page 8**. In the case of 208 VAC or 230/240 VAC, the supply voltage **must match** the electric service **exactly**.
3. Check to assure that the dryer is connected to the type of heat/gas indicated on the dryer data label.
4. The sail switch damper assembly was installed and preadjusted at the factory prior to shipping. However, each sail switch adjustment **must be** checked to assure that this important safety control is functioning.
5. Be sure that **ALL** gas shut-off valves are in open position.
6. Be sure **ALL** electric box covers have been replaced.
7. Check **ALL** service doors to assure that they are closed and secured in place.
8. Be sure lint door is securely in place.

**NOTE: LINT DOOR MUST BE CLOSED TO ACTIVATE SAFETY SWITCH
OTHERWISE THE DRYER WILL NOT START.**

9. Rotate the basket (tumbler/drum) by hand to be sure it moves freely.
10. Check bolts, nuts, screws, terminals, and fittings for security.
11. Check tumbler bearing set screws to insure they are **ALL** tight.

I. PREOPERATIONAL TESTS

ALL dryers are thoroughly tested and inspected before leaving the factory. However, a preoperational test **should be** performed before the dryer is publicly used. It is possible that adjustments have changed in transit or due to marginal location (installation) conditions.

1. Turn on electric power to dryer.
2. Make sure the main door and lint door are closed.
3. Refer to the Operating Instructions for starting your particular model dryer.
4. Check to insure that the basket (tumbler) starts in the clockwise (CW) direction. Additionally, check the direction of the blower motor impellor (fan) to insure that impellor (fan) rotates in the clockwise position (CW) as viewed from the front. If it is, the phasing is correct. If the phasing is incorrect, reverse two (2) of the leads at L1, L2, or L3 of the power supply connections made to the dryer.

IMPORTANT: Dryer blower motor impellor/fan as viewed from above **must turn** in the clockwise (CW) direction, otherwise dryer efficiency will drastically be reduced and premature component failure can result.

4. HEAT CIRCUIT OPERATIONAL TEST

a. Gas Models

- 1) When the dryer is first started (during initial start-up), the burner has a tendency not to ignite on the first attempt. This is because the gas supply piping is filled with air, so it may take a few minutes for this air to be purged from the lines.
- 2) The dryer is equipped with a Hot Surface Ignition system which has internal diagnostics. If ignition is not established after the first attempt the computer will go into retry mode. If ignition is not established after two (2) retries, no heat condition occurs.

NOTE: During the purging period, check to be sure that **ALL** gas shut-off valves are open.

- 3) Once ignition is established, a gas pressure test **should be** taken at the gas valve pressure tap of each dryer to assure that the water column pressure is correct and consistent.

NOTE: Water column pressure requirements (measured at the gas valve pressure tap)...

NATURAL GAS	-----	3.5 - 4.0 INCHES W.C.
L.P. GAS	-----	10.5 - 11.0 INCHES W.C.

IMPORTANT: There is no regulator provided in an L.P. dryer. The water column pressure **must** be regulated at the source (L.P. tank) or an external regulator **must** be added to each dryer.

a. Microprocessor (computer) Dryer Models

- 1) Spin and stop times **are not** adjustable in the Automatic Mode and have been preprogrammed into the microprocessor controller (computer) for 120-seconds spin time and a 5-second dwell (stop) time.
- 2) Spin and stop times **are** adjustable in the Manual (timed) Mode.

I. OPERATING INSTRUCTIONS

NOTE: Before attempting to start the dryer make sure that the main door is closed and the lint drawer is securely in place.

1. To start the dryer:

a. Microprocessor (Computer) Dryers

- 1) Display will read "READY" (meaning no cycle in progress).
- 2) Press the letter on the keyboard (touch pad) corresponding to the cycle desired (i.e., Key "E") ...
 - a) The dryer will the start (rotate).
- 3) L.E.D. display will now Toggle "Drying" "Manual" "Cycle E" "30 Min" "Remain" meaning that the dryer is in the drying cycle and count down in minutes.

NOTE: Pressing touch pad key "A," "B," "C," "D," and "F" will also start the dryer. The six (6) preprogrammed drying cycles ("A" through "F") have been stored in the micro processor (computer's) memory. Refer to the Computer Programming Manual supplied with dryer for more specific operating information.

NOTE: The dryer can be stopped at any time by opening main door or by pressing the "STOP" key. To restart the dryer, press the "START" key or preprogrammed cycle key (i.e., "E").

NOTE: Selection (setting) changes can be made at any time during the drying cycle by pressing the "CLEAR/STOP" key twice. The L.E.D. display will return to "READY" at which time a new cycle selection can be made.

K. SHUT DOWN INSTRUCTIONS

If the dryer is to be shut down (taken out of service) for a period of time, the following **MUST BE** performed;

1. Discontinue power to the dryer either at the external disconnect switch or the circuit breaker.
2. Discontinue the gas supply:
 - a. **SHUT OFF external gas supply shut off valve.**
 - b. **SHUT OFF internal gas supply shut off valve located at the gas valve train area.**

SECTION IV

SERVICE / PARTS INFORMATION

A. SERVICE

1. Service **must be** performed by a qualified trained technician, service agency, or gas supplier. If service is required, contact the distributor from whom the **ADC** equipment was purchased. If the distributor cannot be contacted or is unknown, contact the **ADC Service Department** for a distributor in your area.

NOTE: When contacting the **ADC Service Department**, be sure to give them the correct **model number** and **serial number** so that your inquiry is handled in an expeditious manner.

B. PARTS

1. Replacement parts **should be** purchased from the distributor from whom the **ADC** equipment was purchased. If the distributor cannot be contacted or is unknown, contact the **ADC Parts Department** for a distributor in your area. Parts may also be purchased directly from the factory by calling the **ADC Parts Department** at (508) 678-9010.

NOTE: When ordering replacement parts from the **ADC dealer** or **ADC factory**, be sure to give them the correct model number and serial number so that your parts order can be processed in an expeditious manner.

SECTION V

WARRANTY INFORMATION

A. RETURNING WARRANTY CARD(S)

1. Before any dryer leaves the ADC factory test area, a warranty card is affixed to the glass of the main door. These warranty cards are intended to serve the customer in two ways. First, when ADC receives the warranty card(s) back from the customer, we mail the appropriate parts manual (at no charge), to the address indicated on the returned card. Second, we record the individual installation date and warranty information to better serve you should you file a warranty claim.
 - a. If a warranty card did not come with your dryer, contact the ADC Warranty Department or Service Department at (508) 678-9000.

B. WARRANTY

For a copy of the ADC commercial warranty covering your particular dryer(s), contact the ADC distributor from whom you purchased the equipment and request dryer warranty form. If the distributor cannot be contacted or is unknown, warranty information can be obtained from the factory by contacting the ADC Warranty Department at (508) 678-9000.

NOTE: Whenever contacting the ADC factory for warranty information, be sure to have the dryer(s) **model number** and **serial number** available so that your inquiry can be handled in an expeditious manner.

C. RETURNING WARRANTY PART(S)

ALL dryer or parts warranty claims or inquires **should be** addressed to the ADC Warranty Parts Department. To expedite processing, the following procedures **must be** followed:

1. No parts are to be returned to ADC without prior written authorization (“Return Material Authorization”) from the factory.

NOTE: An R.M.A. (“Return Material Authorization”) is valid for only sixty (60) days from date of issue.

- a. The R.M.A. issued by the factory, as well as any other correspondence pertaining to the returned part(s) **must be** included inside the package with the failed merchandise.
2. Each part **must be** tagged with the following information...
 - a. **Model number** and **serial number** of the dryer from which part was removed.
 - b. Nature of failure (be specific).
 - c. Date of dryer installation.
 - d. Date of part failure.
 - e. Specify whether the part(s) being returned is for replacement, for credit, or a refund.

NOTE: If a part is marked for a credit or a refund, the invoice number covering the purchase of the replacement part must be provided.

NOTE: Warranty tags (ADC P/N: 450064) are available at “no charge” from ADC upon request.

3. The company returning the part(s) must clearly note the complete company name and address on the outside of the package.
4. **ALL** returns **must be** properly packaged to insure that they are not damaged in transit. Damage claims are the responsibility of the shipper .

IMPORTANT: No replacements, credits, or refunds will be issued for merchandise damaged in transit.

5. **ALL** returns **should be** shipped to the ADC factory in such a manner that they are insured and a proof of delivery can be obtained by the sender.
6. **Shipping charges are not** the responsibility of ADC. **ALL** returns should be “prepaid” to the factory. Any “C.O.D.” or “COLLECT” returns **will not be accepted.**

IMPORTANT: **No** replacements, credits, or refunds will be issued if the claim **cannot** be processed due to insufficient information. The party filing the claim will be notified in writing, either by “FAX” or “CERTIFIED MAIL - Return Receipt Requested,” as to the information necessary to process the claim. If a reply is not received by the ADC Warranty Department within thirty (30) days from the FAX/letter date, then no replacement, credit, or refund will be issued and the merchandise will be discarded.

SECTION VI

ROUTINE MAINTENANCE

A. CLEANING

A program and/or schedule **should be** established for periodic inspection, cleaning and removal of lint from various areas of the dryer, as well as throughout the duct work system. The frequency of cleaning can best be determined from experience at each location. Maximum operating efficiency is dependent upon proper air circulation. The accumulation of lint can restrict this air flow. If the guidelines in this section are met, an ADC dryer will provide many years of efficient, trouble free, and - most importantly - safe operation.

WARNING: LINT FROM MOST FABRICS IS HIGHLY COMBUSTIBLE. THE ACCUMULATION OF LINT CAN CREATE A POTENTIAL FIRE HAZARD.

WARNING: KEEP DRYER AREA CLEAR and FREE FROM COMBUSTIBLE MATERIALS, GASOLINE and OTHER FLAMMABLE VAPORS and LIQUIDS.

NOTE: Suggested time intervals shown are for average usage which is considered six (6) to eight (8) operational (running) hours per day.

CLEAN LINT FROM LINT SCREEN AFTER EVERY LOAD.

NOTE: Frequency can best be determined at each location.

DAILY (beginning of each work shift)

Inspect lint screen and replace if torn.

WEEKLY

Clean lint accumulation from lint chamber, thermostat, and microprocessor temperature sensor (sensor bracket) area.

WARNING: TO AVOID THE HAZARD OF ELECTRICAL SHOCK, DISCONTINUE ELECTRICAL SUPPLY TO THE DRYER.

90 DAYS

Remove lint from around basket (tumbler), drive motors, and surrounding areas. Remove lint from gas valve burner area with a dusting brush or vacuum cleaner attachment.

NOTE: To prevent damage, avoid cleaning and/or touching ignitor / flameprobe assembly.

Remove lint accumulation from inside control box and at rear area behind control box.

Impellor (fan/blower) shaft bearings **should be** lubricated. Use a #3 grease or equivalent.

6 MONTHS

Inspect and remove lint accumulation in customer furnished exhaust duct work system and from dryers internal exhaust ducting.

Impellor (fan/blower) Belts and drive belts should be examined. Cracked and/or seriously frayed belts should be replaced. Tighten belts when necessary.

Drive and idler shaft bearings should be lubricated. Use a #3 grease or equivalent.

WARNING: THE ACCUMULATION OF LINT IN THE EXHAUST DUCT WORK CAN CREATE A POTENTIAL FIRE HAZARD.

WARNING: DO NOT OBSTRUCT THE FLOW OF COMBUSTION and VENTILATION AIR. CHECK CUSTOMER FURNISHED BACK DRAFT DAMPERS IN EXHAUST DUCT WORK. INSPECT and REMOVE ANY LINT ACCUMULATION WHICH CAN CAUSE DAMPER TO BIND OR STICK.

NOTE: A back draft damper that is sticking partially closed can result in slow drying and shutdown of the heat circuit safety switches or thermostat.

NOTE: When cleaning dryer cabinet(s), avoid using harsh abrasives. A product intended for the cleaning of appliances is recommended.

B. ADJUSTMENTS

7 Days After Installation and Every 6 Months Thereafter

Inspect bolts, nuts, screws (bearing set screws), non-permanent gas connections (unions, shut-off valves, orifices, and grounding connections). Motor and drive belts should be examined. Cracked or seriously frayed belts should be replaced. Tighten loose V-belts when necessary. Complete operational check of controls and valves. Complete operational check of ALL safety devices (door switch, lint door switch, sail switch, burner and hi-limit thermostat).

C. LUBRICATION

1. Impellor (fan/blower) shaft bearings should be lubricated every three (3) months. Use a #3 grease or equivalent..
2. The drive shaft bearings and idler shaft bearings should be lubricated every six (6) months. Use a #3 grease or equivalent.. **LUBRICATION IS NECESSARY.**

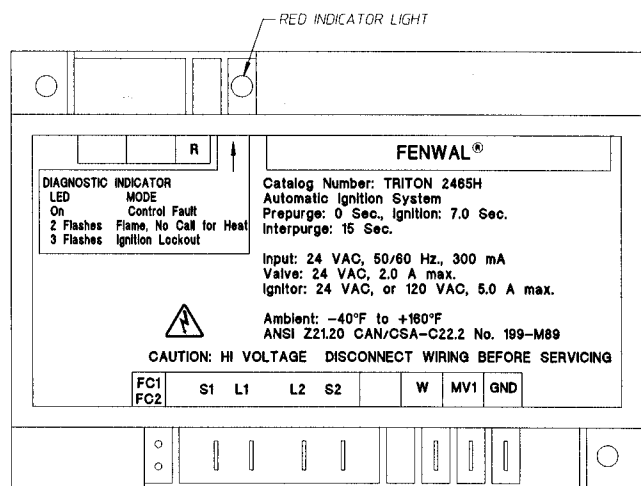
SECTION VII

PROCEDURE FOR FUNCTIONAL CHECK OF REPLACEMENT COMPONENTS

2. Hot Surface Ignition (HSI) System (for Gas Models Only)

- a. Upon completing installation of the replacement Hot Surface Ignition (HSI) module, reestablish power to the dryer.
- b. The Hot Surface Ignition (HSI) module's "red" indicator light will light up for approximately 5-seconds (self check routine).

If the Hot Surface Ignition (HSI) module's "red" indicator light stays on or flashes continuously, then the HSI module is wired incorrectly or has failed.



- c. Start the drying cycle.
- d. The hot surface ignitor will turn on. After approximately 4 seconds the Glo Bar will shut off and the gas valve will be energized. ***The flame should now be established.***
- e. With the burner flame on, remove the flame sensor wire from the S2 terminal of the HSI module. ***The burner flame must shut off immediately.***
- f. Stop the drying cycle, with the flame sensor wire still removed, restart the drying cycle.
- g. The hot surface ignitor will turn on and after approximately 4-seconds the hot surface ignitor will shut off. The gas valve will be energized and a burner flame **should be** evident for approximately 7-seconds and then shut off.
- h. The Hot Surface Ignition (HSI) module will attempt two (2) additional ignition trials after which the HSI module will lock out and the "red" indicator light ***will flash continuously.***
- i. Functional check of the Hot Surface Ignition (HSI) Module is complete.
 - 1) Replace the flame sensor wire from the S2 terminal to the HSI module.

ADC 112197 1- 01/13/97-7 2* 02/25/97-8 3- 02/26/97-40
4- 06/16/97-40 4- 11/05/97-40 6* 02/13/98-50
7- 02/26/98-100 8* 08/28/98-100 9- 03/29/99-100
10- 08/04/00-100

