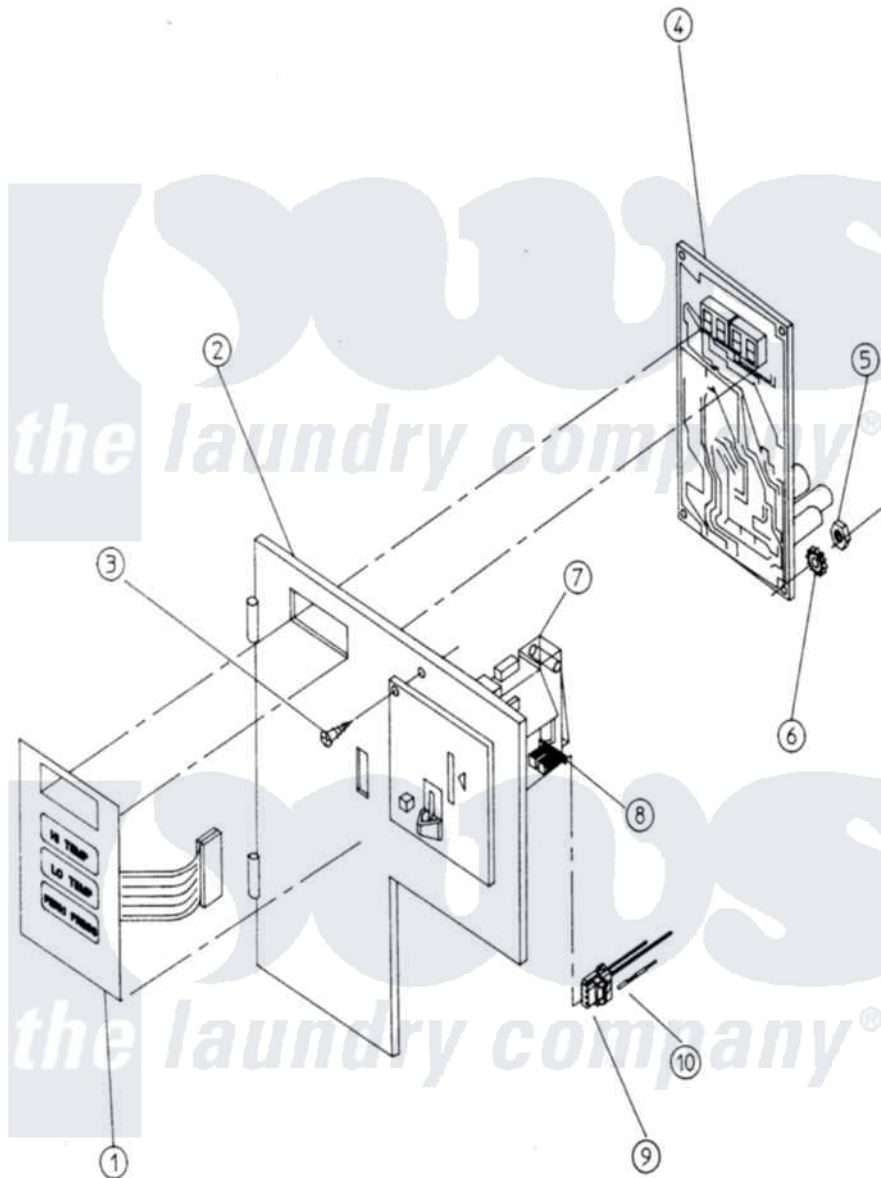


Maytag DG30PC1 04 - COIN MICROPROCESSOR CONTROL BOX



Maytag [Commercial Maytag DG30PC1 Dryer Parts](#) Parts Diagram 04 - COIN MICROPROCESSOR CONTROL BOX
 Click on the part number to view part

Item	Original Part Number	Replaced By	Status	Part Description
000	W10124350		Not Available	ORDER PARTS FROM AMERICAN DRYER CORP AT 508-678-9000
001	A137021	137021		Mr Recept 2
002	A122800	122800		M R EXTRAC
"	A137020	137020		15 Pin Con
003	A150315	150315		6 X 3 8 P
004	A137022	137022		15 Position
005	A137013	137013		Pc Bd Nylo
006	A137151		Not Available	RELAY BOARD
007	A136057	W10146739		0.5 A 250
008	A150300	5307527001		Switch
009	A141403		Not Available	TRANSFORMER (24 VAC) (FOR MICROPROCESSOR MODELS)
010	A152002	152002		1 4-20 Hex
011	A120715	W10146700		30 Pos Ter
012	A151000	WH12X195		Switch Assembly

