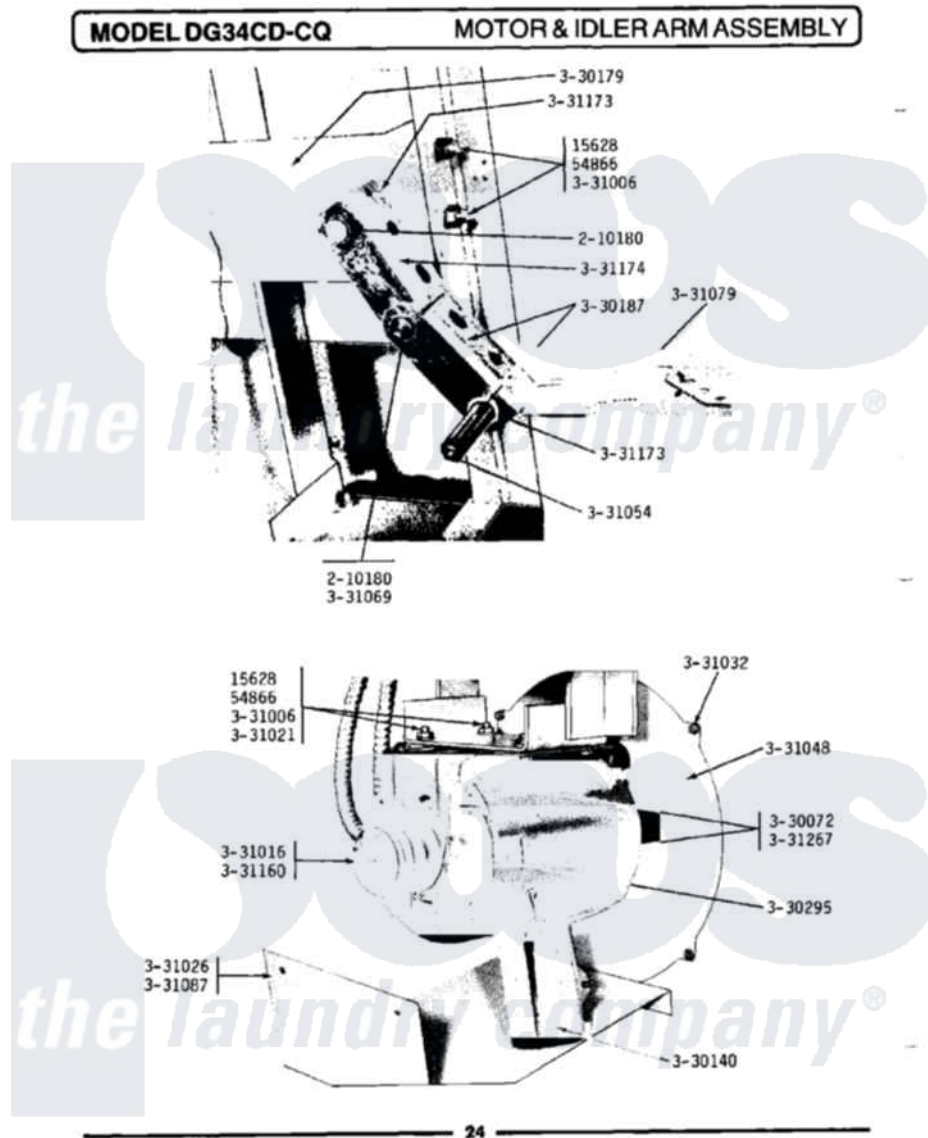


# Maytag GDG34CD 12 - MOTOR & IDLER ARM ASSEMBLY



Maytag Commercial Maytag GDG34CD Dryer Parts Parts Diagram 12 - MOTOR & IDLER ARM ASSEMBLY  
 Click on the part number to view part

Item	Original Part Number	Replaced By	Status	Part Description
	NI	NLA	Not Available	BOLT, 5/16 X 3/4 HEX
002	Y054866	<a href="#">486009</a>		Lockwasher
003	210180		Not Available	RETAINING RING
004	Y330072		Not Available	MOTOR COMPLETE
	NI	NLA	Not Available	CAPICATOR
006	<a href="#">Y330179</a>			Bracket And Pin
007	330187		Not Available	IDLER ARM ASSEMBLY WITH PIN
	NI	NLA	Not Available	INTERNAL MOTOR SWITCH
	"	NLA	Not Available	MOTOR CLAMP
	"	NLA	Not Available	NUT-DRUM SUPPORT BOLT, 5/16
	"	NLA	Not Available	SET SCREW FOR MOTOR PULLEY
	"	NLA	Not Available	WASHER - MOTOR SUPPORT BOLT
013	331026	<a href="#">90767</a>		Screw, 8A X 3/8 HeX Washer Head Tapping

014	331032	<a href="#">61002031</a>		Screw, Handle
015	331048		Not Available	COVER FOR BLOWER IMPELLER
016	<a href="#">331054</a>			Grease Fitting - Pulley Pin
017	<a href="#">331069</a>			Pivot Pin For Tension Arms
018	331079		Not Available	TENSION SPRING
NI	NLA		Not Available	SHIELD FOR MOTOR
"	NLA		Not Available	SUPPORT FOR REAR COVER-LEFT
"	NLA		Not Available	RIB, TUMBLER (ONLY)
022	<a href="#">331160</a>			Motor Pulley
NI	<a href="#">331162</a>	<a href="#">A55</a>		Multiplus Dual Brand V Belt
024	331173		Not Available	WASHER
025	331174		Not Available	IDLER BRACKET
NI	NLA		Not Available	MOTOR BRACKET

