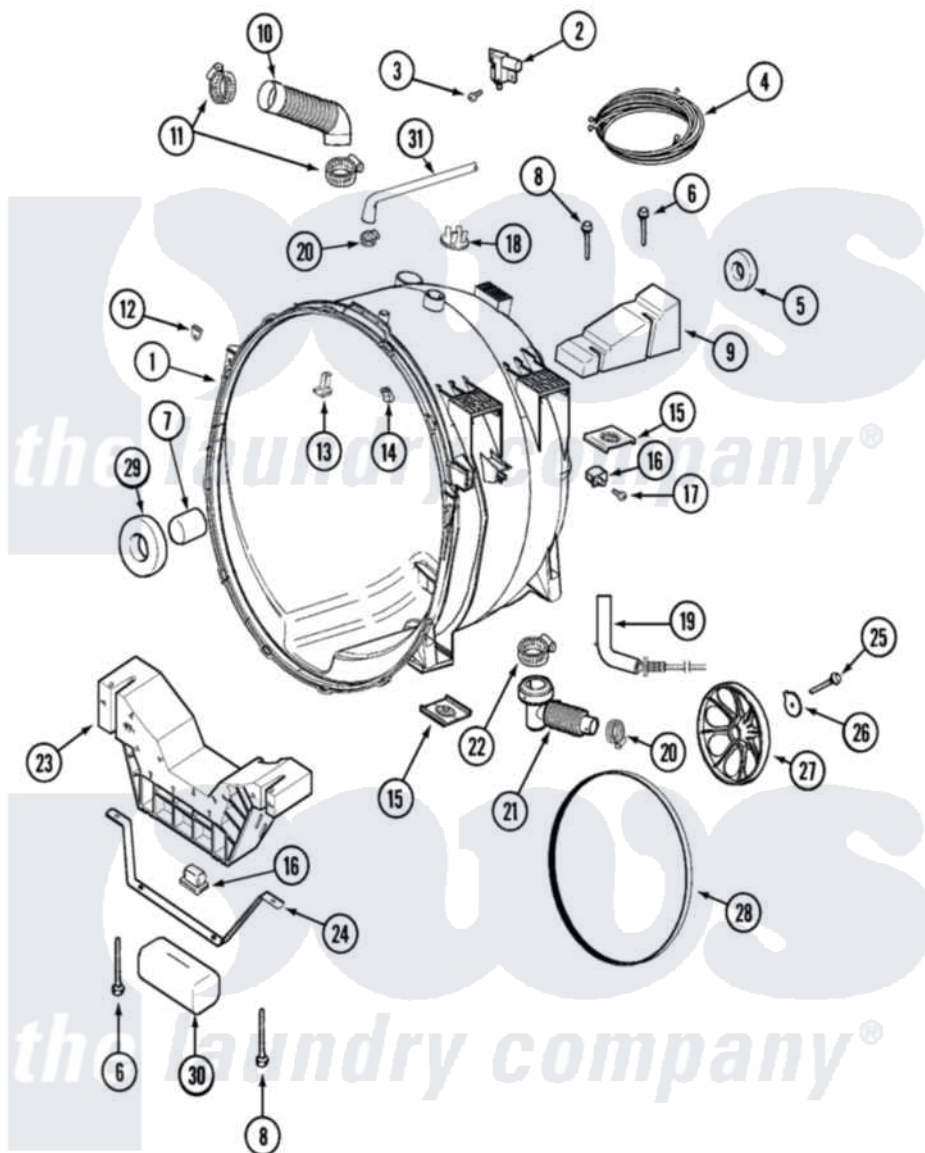


# Maytag MAH20PRDWW 07 - OUTER TUB



Maytag [Commercial Maytag MAH20PRDWW Washer Parts](#) Parts Diagram 07 - OUTER TUB  
 Click on the part number to view part

Item	Original Part Number	Replaced By	Status	Part Description
001	22002154	<a href="#">22004465</a>		Outer Tub Assembly, As Pack
002	22002045	<a href="#">22003302</a>		Switch, Internal Unbalance
003	22002300	<a href="#">9740848</a>		Screw, Mixing Valve Mounting
004	33002216	<a href="#">12001798</a>		Kit-Harnes
005	Y200720	<a href="#">22003441</a>		Bearing, Rear
006	<a href="#">22003616</a>			Bolt, Double Sems 3-3/8
007	<a href="#">22002935</a>			Spacer, Bearing
008	<a href="#">22003615</a>			Bolt, Double Sems 5-3/8
009	<a href="#">22002102</a>			Weight, Counter Balance
010	<a href="#">22002083</a>			Hose, Injector
011	22002052	<a href="#">616099</a>		Clamp
012	<a href="#">22002103</a>			Clip, U
013	22002959	<a href="#">22004310</a>		Water Deflector
014	<a href="#">22002006</a>			Clip, Unbalance Switch Harness
"	NLA		Not Available	WIRE WRAP
015	<a href="#">22002065</a>			Nut, Counter Balance

016	<a href="#">22002044</a>		Switch, Tub Displacement
017	22002061	<a href="#">910187</a>	Screw
018	22002061	<a href="#">910187</a>	Screw
"	<a href="#">22002797</a>		Clip, Hose
019	<a href="#">22002010</a>		Hose, Pressure Switch
"	<a href="#">22002799</a>	<a href="#">M0322202</a>	Tie Wire
020	202515	<a href="#">596669</a>	Clamp, Manifold
021	22002793	<a href="#">22002958</a>	Hose, Outlet
"	<a href="#">22002958</a>		Hose, Outlet
022	22002053	<a href="#">696392</a>	Hose Clamp
023	22002579		Not Available WEIGHT ASSEMBLY (FRT)
024	<a href="#">22002008</a>		Strap
025	22002057	<a href="#">22003937</a>	Screw, Retaining Bolt
026	22002055	<a href="#">22003936</a>	Washer
027	22001998	<a href="#">22002315</a>	Pulley, Spinner
028	12001435	<a href="#">12001788</a>	Kit, Belt And Isolator-W
029	<a href="#">22002934</a>		Bearing, Front
030	22002011		Not Available CUSHION
031	22002027	<a href="#">74007164</a>	Lock- Purs
"	<a href="#">22002791</a>		Hose/Clip Assembly Recirc

