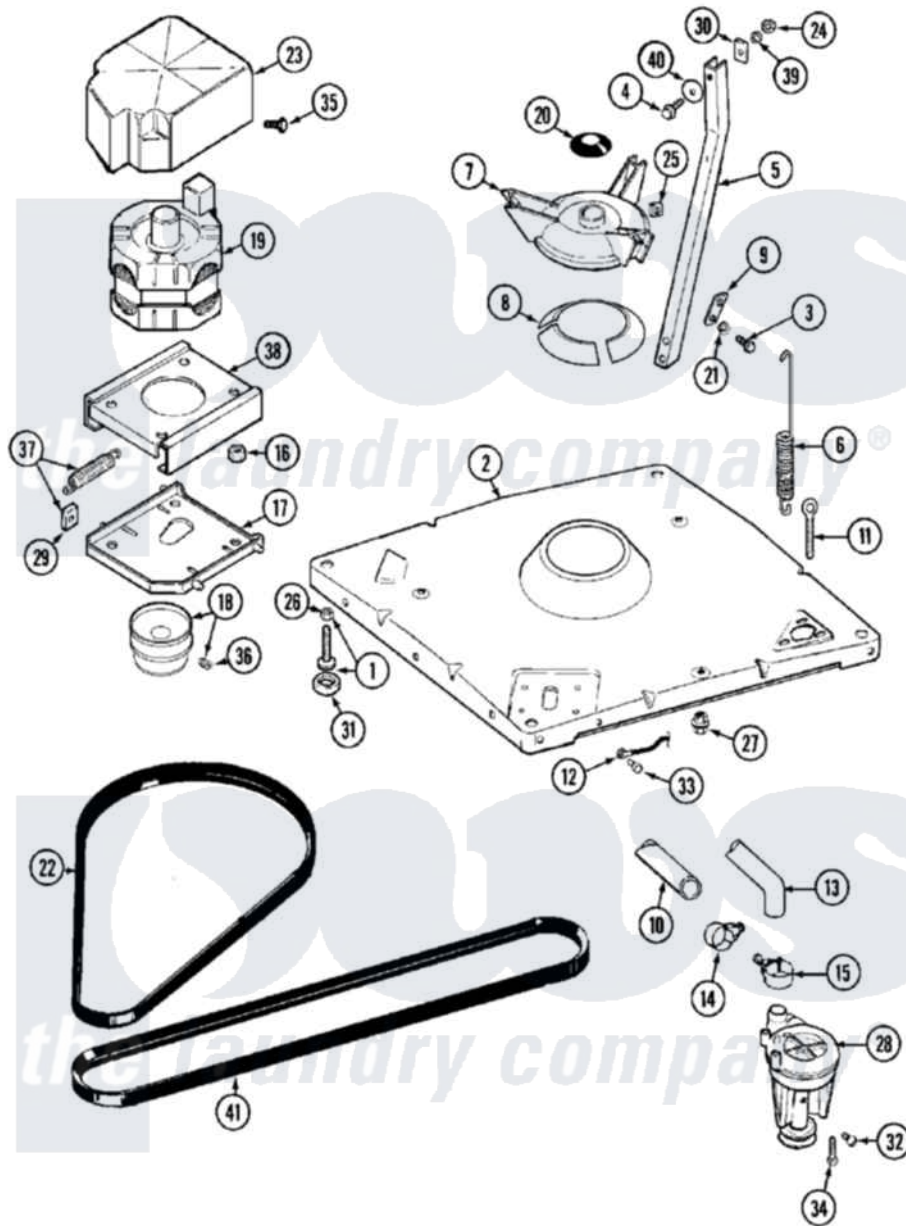


Maytag MAT12PSDAW 07 - BASE



Maytag [Commercial Maytag MAT12PSDAW Washer Parts](#) Parts Diagram 07 - BASE
 Click on the part number to view part

| Item | Original Part Number | Replaced By | Status | Part Description |
|------|--------------------------|---------------------------|---------------|----------------------------|
| 001 | 22003428 | | | Leg, Adjustable |
| 002 | 22002150 | | | Base |
| 003 | Y015627 | | | Screw- Hex |
| 004 | 200744 | W10175939 | | Bolt |
| " | 205254 | W10175938 | | Bolt |
| 005 | 213100 | | Not Available | PART NOT USED |
| 006 | 22001300 | | | Spring, Centering |
| 007 | 203725 | | | Damper W/Bolt And Clip |
| 008 | 203956 | | | Damper Pad Kit |
| 009 | 213073 | | | Washer, Double Brace |
| 010 | 22001816 | | | Hose, Drain |
| 011 | 216416 | | | Bolt, Eye/Centering Spring |
| 012 | 901220 | | | Ground Wire |
| 013 | Y212989 | | | Hose, Outer Tub To Pump |
| 014 | Y22001820 | 285655 | | Clamp, Hose |
| 015 | 22001640 | 285655 | | Clamp, Hose |

| | | | |
|-----|--------------------------|---------------------------|---------------------------------|
| 016 | Y311426 | 3400029 | Nut, Adapter Plate |
| 017 | 22001301 | | Mount, Motor Lower-Assembly |
| 018 | 200816 | 6-2008160 | Pulley- MO |
| 019 | 201805 | 12002351 | Motor-Drve |
| " | 22004301 | 12002351 | Motor-Drve |
| 020 | 22001511 | 22002954 | Deflector, Water |
| 021 | 911852 | 486009 | Lockwasher |
| 022 | 22002571 | 12112425 | Belt |
| 023 | 215098 | | Shield, Motor |
| 024 | Y052734 | | Nut, Carrage Bolts And Bracket |
| 025 | Y052785 | | Nut, Brace To Damper |
| 026 | 210385 | | Lock Nut For Adjustable Leg |
| 027 | 211949 | | Nut, Adjustment Eyebolt |
| 028 | 202203 | 6-2022030 | Pump As Pa |
| 029 | Y204998 | 205000 | Roller And Spring Kit 4+Spr |
| 030 | 212979 | | Not Available WASHER, TUB BRACE |
| 031 | 210684 | | Foot, Adjustable Leg |
| 032 | Y015408 | 22003235 | Screw, Bearing Insert |
| 033 | 210186 | 3370225 | Screw |
| 034 | 211880 | | Screw, HeX Head No.10 X 1/2 Inc |
| 035 | 213121 | 3400111 | Screw, 12-14 X 5/8 |
| 036 | Y053241 | | Set Screw, Motor Pulley |
| 037 | 205000 | | Roller And Spring Kit 4+Spr |
| 038 | 214956 | | Motor Mount Assembly |
| 039 | Y054867 | | Washer, Lock |
| 040 | 211100 | | Washer, Outer Tub |
| 041 | 211124 | | Part Not Used |

the laundry company[®]

the laundry company[®]