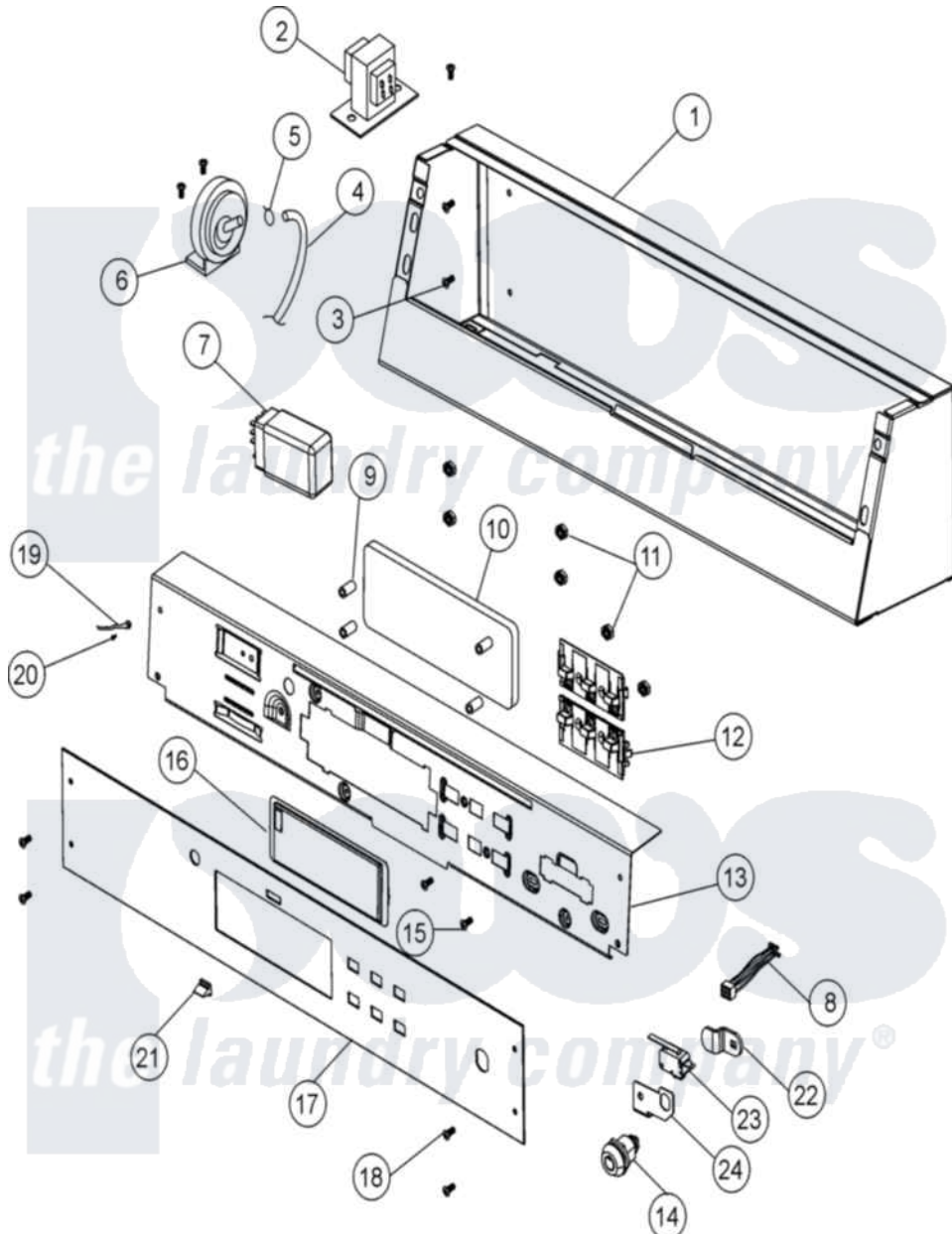


# Maytag MAT13PNDWEW 01 - CONTROL PANEL



Maytag [Commercial Maytag MAT13PNDWEW Washer Parts](#) Parts Diagram 01 - CONTROL PANEL  
 Click on the part number to view part

Item	Original Part Number	Replaced By	Status	Part Description
001	<a href="#">22003093</a>			Console
002	<a href="#">22001417</a>			Transformer
003	<a href="#">215526</a>			Screw, Circuit Board
004	<a href="#">22001619</a>			Tube, Water Level Switch
005	410296	<a href="#">596669</a>		Clamp, Manifold
006	203263	<a href="#">22004474</a>		Switch- Pr
"	<a href="#">211294</a>	<a href="#">90767</a>		Screw, 8A X 3/8 HeX Washer Head Tapping
007	<a href="#">206421</a>			Relay, Motor Reversing
008	<a href="#">22001965</a>			Optic Switch Assembly
009	<a href="#">33001204</a>			Stand-Off, Ccontrol Board
010	<a href="#">22002954</a>			Deflector, Water
"	<a href="#">22004222</a>			Commercial D.C. Control Board
011	<a href="#">912077</a>			Locknut, Reader Harness
012	206808	<a href="#">W10135389</a>		Push Button And Switch Assembly

"	33002863	<a href="#">W10131113</a>	Push Button
013	<a href="#">215003</a>		Fastener, Panel And Bracket
"	<a href="#">22003207</a>		Bracket, Back
014	22002349	<a href="#">W10116737</a>	Lock
015	215527	<a href="#">W10140652</a>	Screw, 6-20 X 1/2
016	22001962	<a href="#">W10131114</a>	Cover, Display
017	<a href="#">22004334</a>		Facia-Pn
018	<a href="#">215003</a>		Fastener, Panel And Bracket
"	<a href="#">215506</a>		Screw, Control Panel Overlay
019	<a href="#">22001959</a>		Wire, Ground
020	210186	<a href="#">3370225</a>	Screw
021	<a href="#">214610</a>		Bumper, Lid
022	33002092	<a href="#">W10133266</a>	Cam-Lock
023	<a href="#">22003578</a>		Switch, Sensor-Export
024	<a href="#">33001982</a>		Bracket, Switch Mounting
025	<a href="#">22004206</a>		Harness As Pack
"	<a href="#">22004393</a>		Harness, Wire
"	<a href="#">33002090</a>		Harness, Service
"	NLA	Not Available	HARNES,WIRE MAIN

