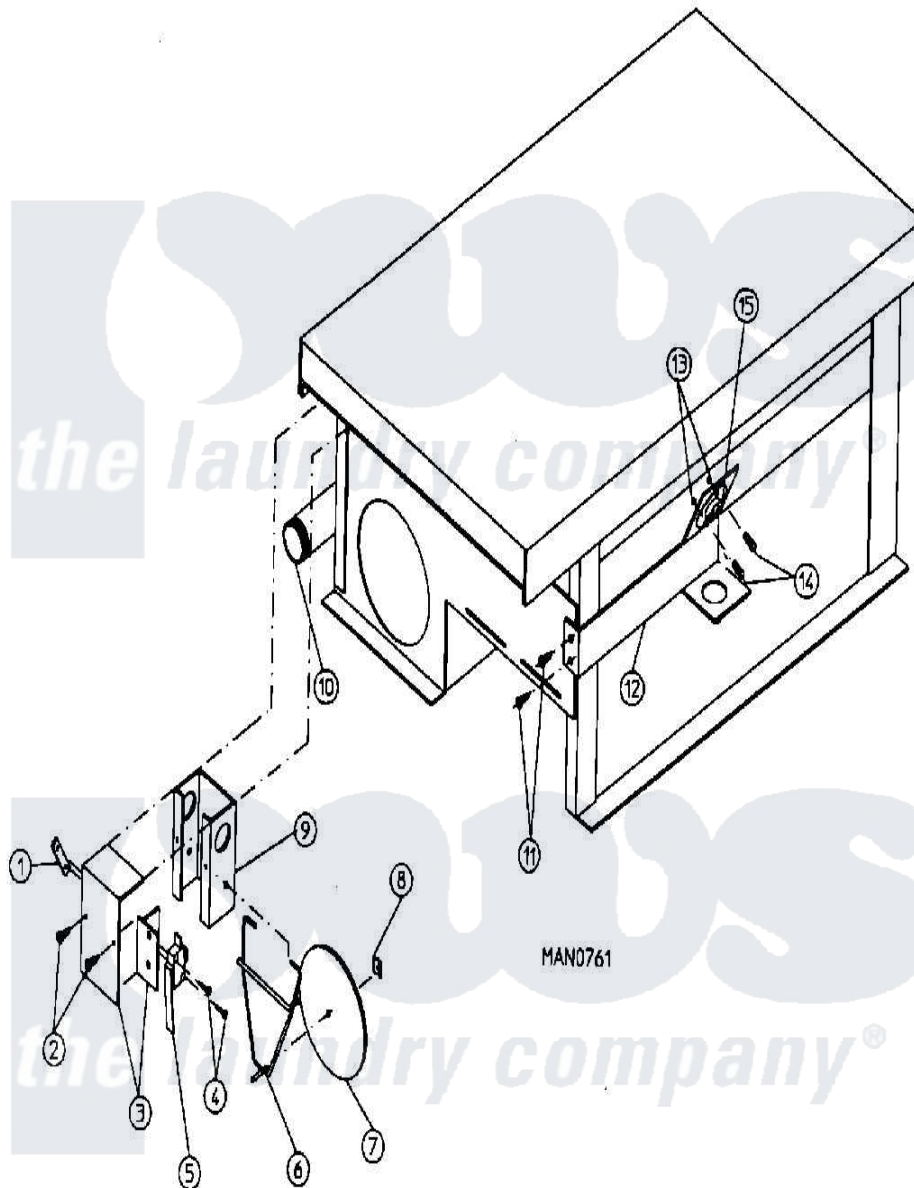


Maytag MDG30PC2Ax 06 - SAIL SWITCH/HI-LIMIT ASSEMBLY



Maytag Commercial Maytag MDG30PC2Ax Dryer Parts Parts Diagram 06 - SAIL SWITCH/HI-LIMIT ASSEMBLY
 Click on the part number to view part

Item	Original Part Number	Replaced By	Status	Part Description
000	W10124350		Not Available	ORDER PARTS FROM AMERICAN DRYER CORP AT 508-678-9000
001	A154004	154004		Tinnerman
002	A150415		Not Available	SCREW, CRIMPTITE (PH. RD.HD.) (No.10-16 X 1/2" PH. RD. HD.)
003	A802799	802799		Sail Sw.bo
004	A150303	150303		4 X 3 4 P
005	A122200	122200		Sail Switch
006	A105500	W10146641		Std Sail S
007	A319202	W10146866		Sail Switch
008	A154002	154002		1 8 Push O
009	A802800	802800		Sail Switch
"	A802801	802801		Sail Switch
010	A142809	W10146757		1 2 X 29 1
011	A150415		Not Available	SCREW, CRIMPTITE (PH. RD.HD.) (No.10-16 X 1/2" PH. RD. HD.)

012	A319704	WB4X122	Medallion
013	A151000	WH12X195	Switch Assembly
014	A151001	W10146764	8-32 Pal N
015	A130201	Not Available	HI-LIMIT (330 DEG.)
"	A130401		HI-LIMIT (ONLY) (330 DEG.)

