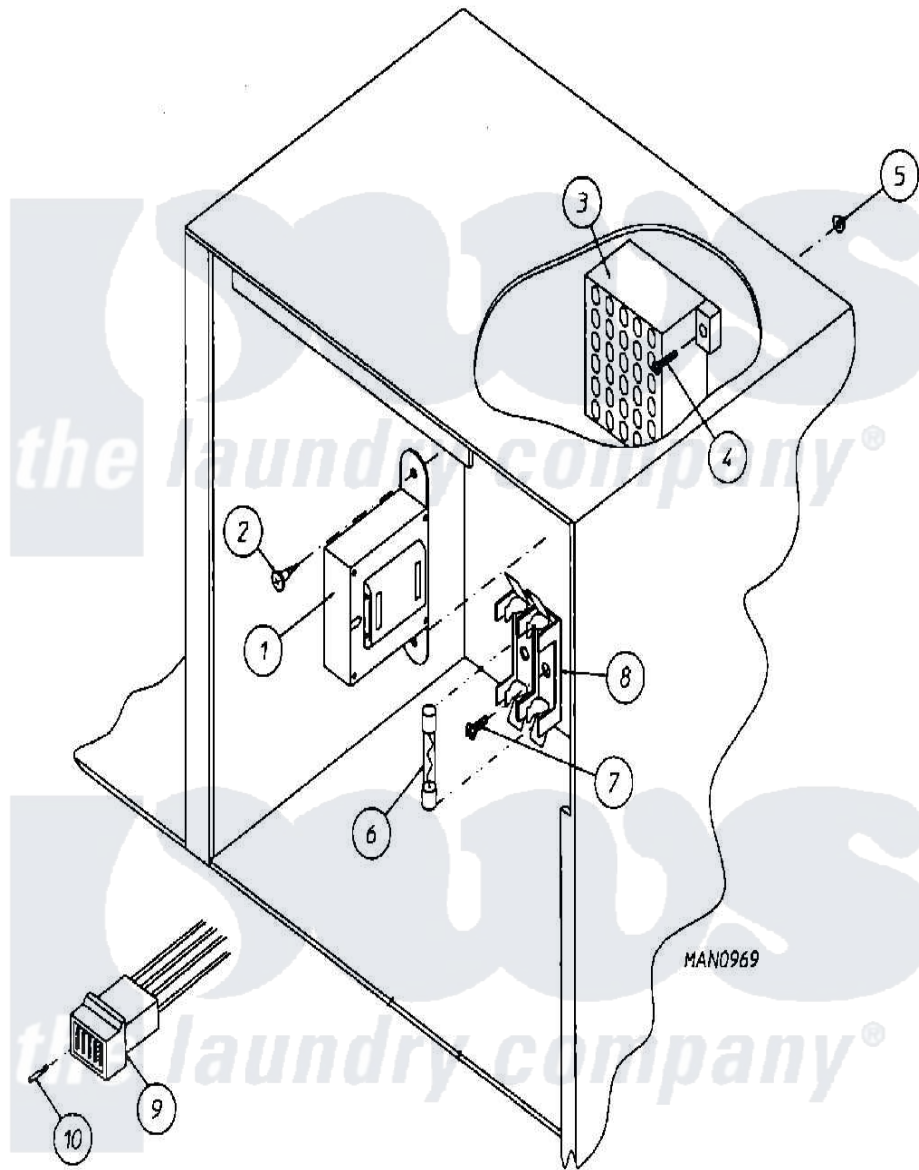


# Maytag MDG75PN1AW 02 - CONTROL BOX ASSEMBLY (PN)



Maytag [Commercial Maytag MDG75PN1AW Dryer Parts](#) Parts Diagram 02 - CONTROL BOX ASSEMBLY (PN)  
 Click on the part number to view part

Item	Original Part Number	Replaced By	Status	Part Description
000	W10124350		Not Available	ORDER PARTS FROM AMERICAN DRYER CORP AT 508-678-9000
001	A141403		Not Available	TRANSFORMER (24 VAC) (FOR MICROPROCESSOR MODELS)
002	A150300	<a href="#">5307527001</a>		Switch
003	A120715	<a href="#">W10146700</a>		30 Pos Ter
004	A150002	<a href="#">150002</a>		6-32 X 1
005	A151000	<a href="#">WH12X195</a>		Switch Assembly
006	A136057	<a href="#">W10146739</a>		0.5 A 250
007	A150301	<a href="#">150301</a>		8-18 X 7
008	A136008	<a href="#">136008</a>		Fuse Block
009	A122641	<a href="#">122641</a>		15 Pos. MI
010	A122706	<a href="#">122706</a>		20-16 AWG
011	A122800	<a href="#">122800</a>		M R EXTRAC