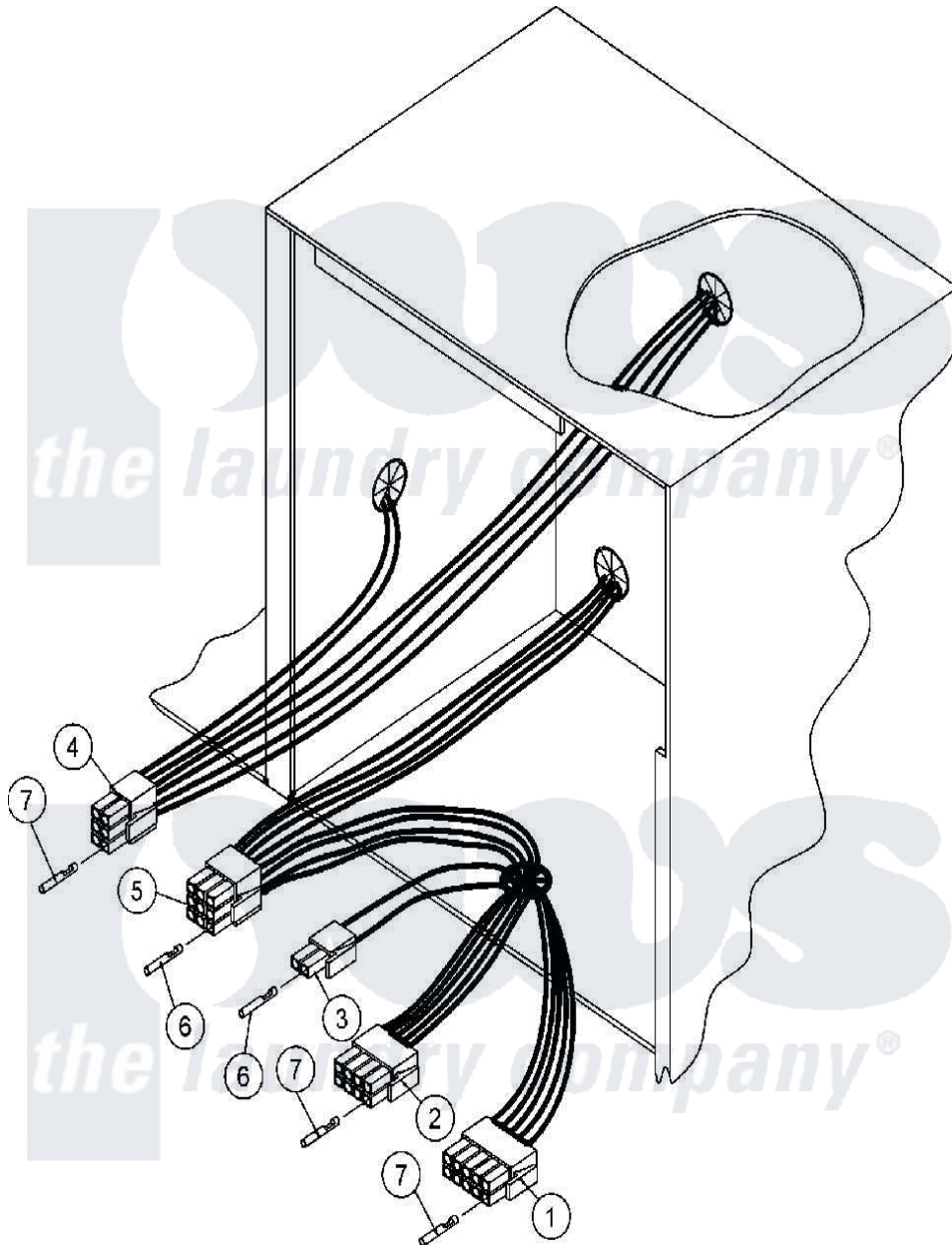


Maytag MDG75PNHWW 03 - CONTROL BOX (MICROPROCESSOR)



Maytag [Commercial Maytag MDG75PNHWW Dryer Parts](#) Parts Diagram 03 - CONTROL BOX (MICROPROCESSOR)
 Click on the part number to view part

Item	Original Part Number	Replaced By	Status	Part Description
000	A000000			Order Part From American Dryer Phone No.508-678-9000
001	A122681	122681		10 Pin Mol
002	A122676	122676		8 Pin Mole
003	A122646	W10149172		2-Pin Amp
004	A122683	122683		6-Pin Mini
005	A122640	122640		9 Pos. Min
006	A122706	122706		20-16 AWG
007	A122669	122669		5556 Femal