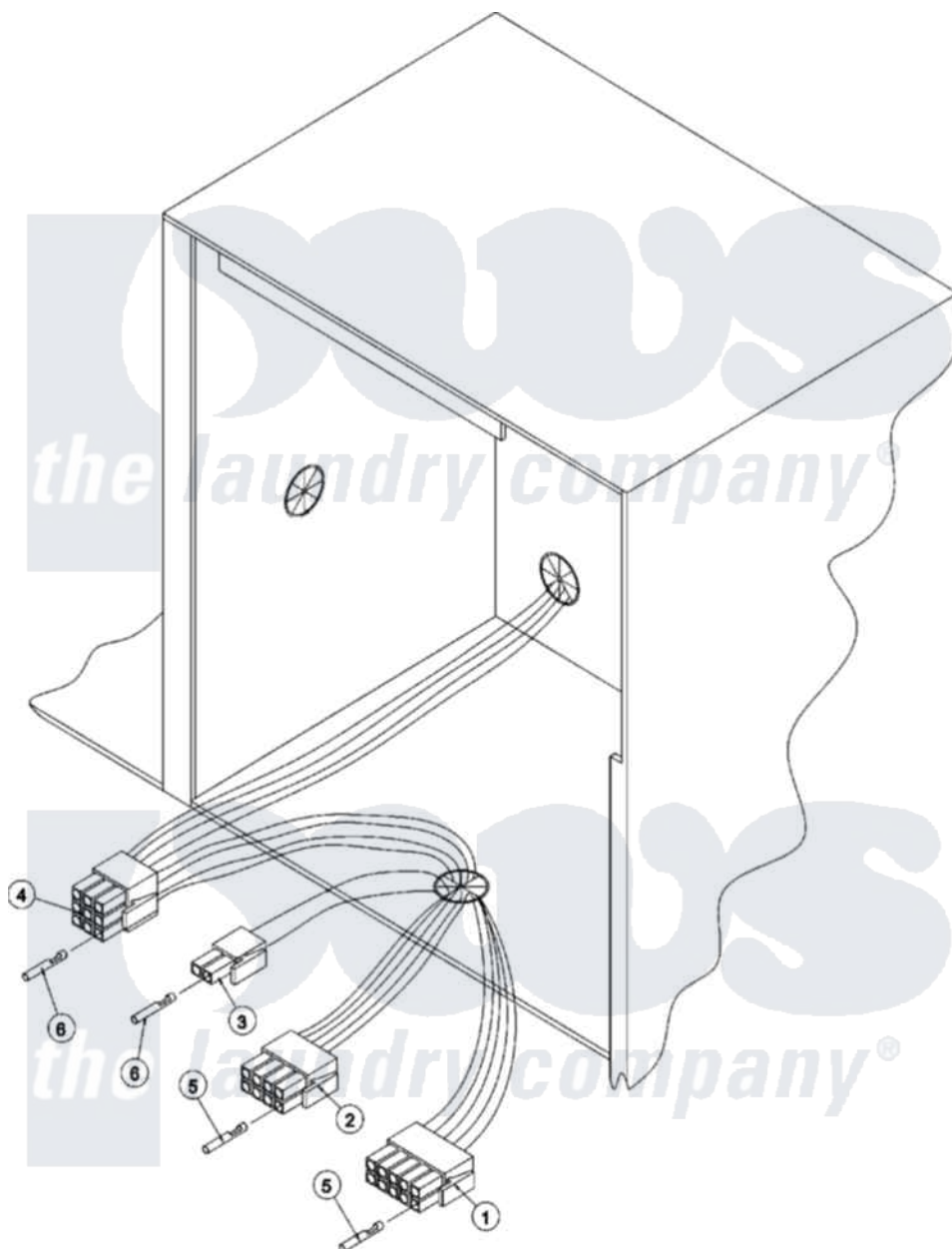


# Maytag MDG76PCBWS 03 - CONTROL BOX ASSY



Maytag Commercial Maytag MDG76PCBWS Dryer Parts Parts Diagram 03 - CONTROL BOX ASSY  
Click on the part number to view part

Item	Original Part Number	Replaced By	Status	Part Description
001	A122681	<a href="#">122681</a>		10 Pin Mol
002	A122676	<a href="#">122676</a>		8 Pin Mole
003	A122646	<a href="#">W10149172</a>		2-Pin Amp
004	A122640	<a href="#">122640</a>		9 Pos. Min
005	A122669	<a href="#">122669</a>		5556 Femal
006	A122706	<a href="#">122706</a>		20-16 AWG