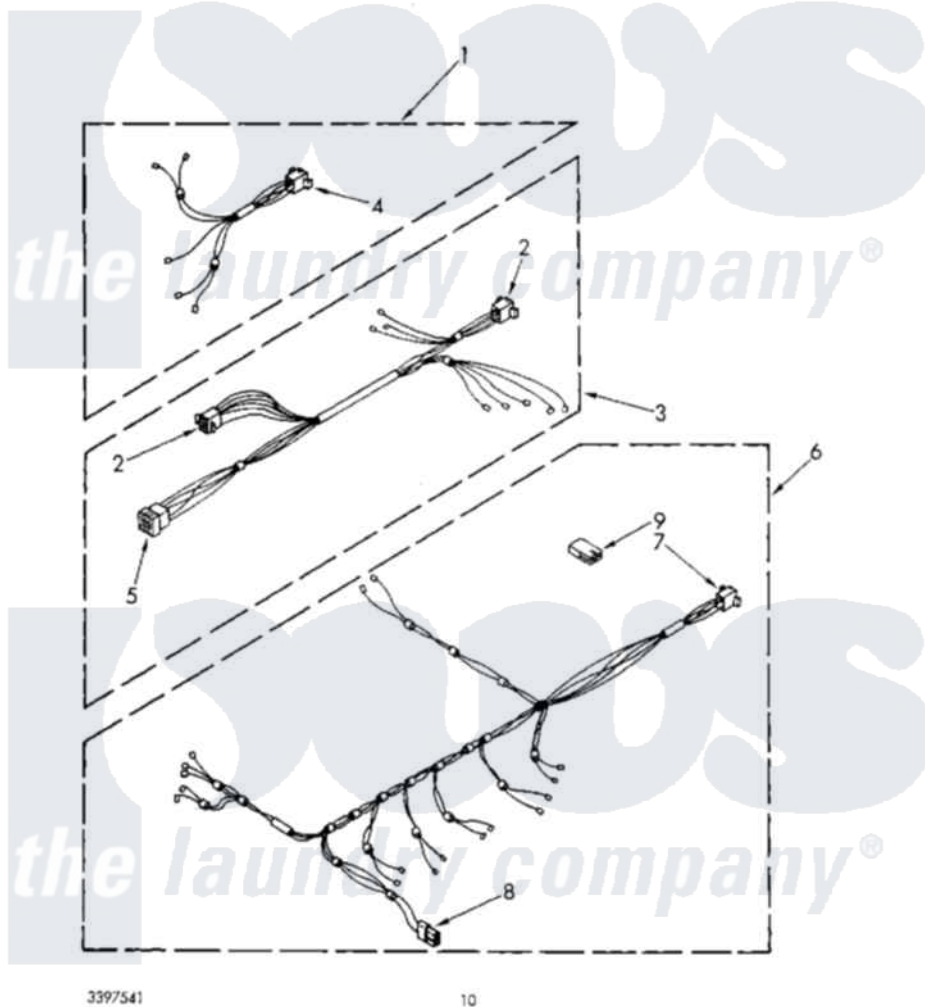


# Whirlpool CG2951XYN0 06 - WIRING HARNESS

## WIRING HARNESS PARTS

For Model: CG2951XYW0



3397541

10

Whirlpool [Commercial Whirlpool CG2951XYN0 Dryer Parts](#) Parts Diagram 06 - WIRING HARNESS  
 Click on the part number to view part

Item	Original Part Number	Replaced By	Status	Part Description
1	<a href="#">3388350</a>			Harness, Timer
2	352457		Not Available	Plug, Terminal (6 Way) (Uses Terminal Below)
3	<a href="#">3393806</a>			+Harness, Wiring
4	352458		Not Available	Cap, Terminal (6-Way) (Uses Terminal 94614)
5	<a href="#">94612</a>			Cap, Terminal
6	<a href="#">3393799</a>			+Harness, Wiring
7	355410		Not Available	Plug, Terminal (Uses Terminal 94614)
8	<a href="#">691707</a>			Receptacle, 3-Way
9	<a href="#">717252</a>			Receptacle, Terminal