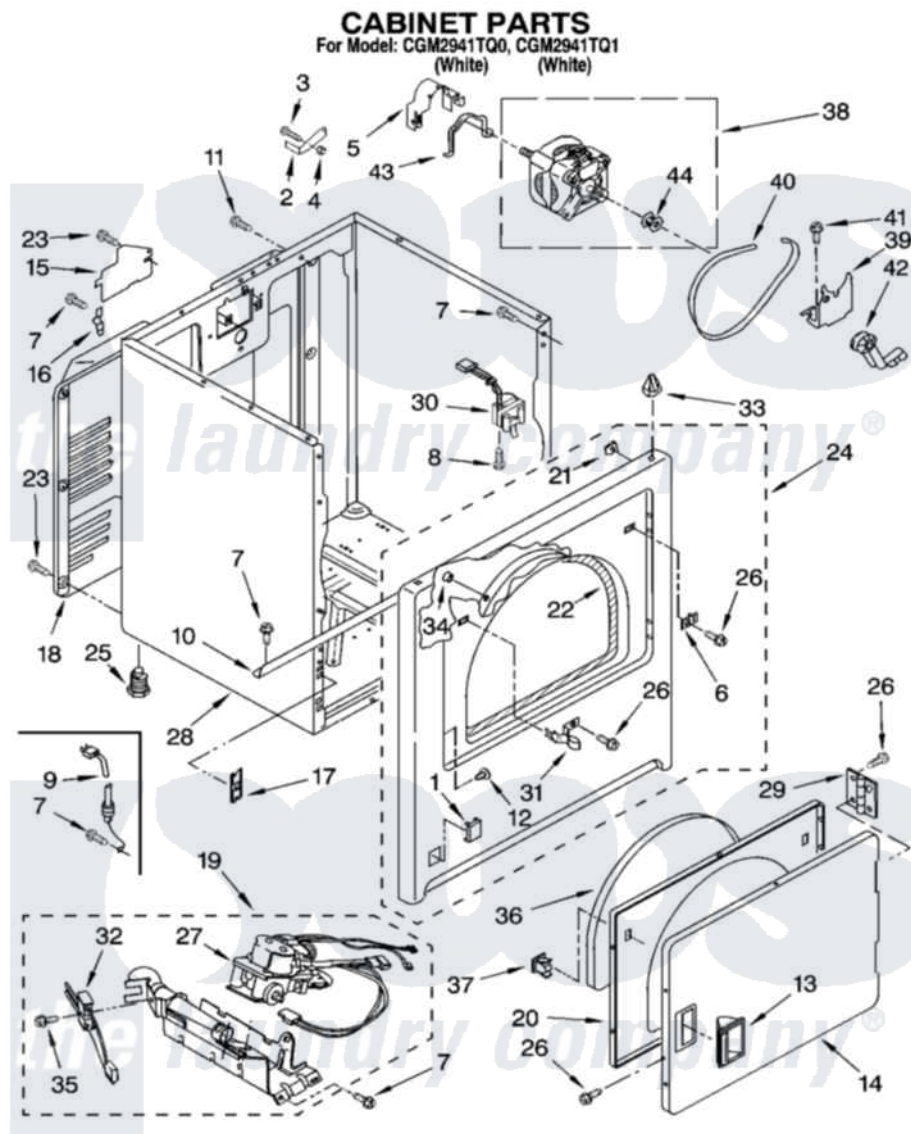


Whirlpool CGM2941TQ1 03 - CABINET PARTS



W10119633

6

Whirlpool [Commercial Whirlpool CGM2941TQ1 Dryer Parts](#) Parts Diagram 03 - CABINET PARTS
Click on the part number to view part

Item	Original Part Number	Replaced By	Status	Part Description
1	3394975			Plug, Front Panel
2	3954895			Bracket, Top Lock
3	354730			Bolt, 5/16-18 X 2 3/4
4	90984			Nut, 5/16-18
5	3404162			Clamp, Motor
6	3403630			Plug, Strike Hole
7	343641	681414		Screw, 10AB X 1/2
8	697773	3395530		Screw
9	3401401	3401402		Cord, Power
10	8541400			Bracket, Cabinet
11	697776	4331106		Screw, No.10-32 X 7/16
12	3404413			Plug, Hinge Hole
13	3405184			Handle, Door
14	3402335			Door, Front
15	3396795			Cover, Terminal Block
16	238088	8066217		Hinge, Top

17	3394083		Clip, Front Panel
18	3396805	280043	Panel-Rear
19	3401771	W10492502	Burner-Gas
20	3402341		Door, Inner
21	98234		Clip, U-Bend
22	3406129		Seal And Bearing Assembly
23	693995		Screw, Hex Head
24	3403447	279854	Panel
25	3392100	49621	Feet-Leveling
"	279810		Foot-Optional
26	342055	488627	Screw
27	8281908	279923	NAT Gas
28	8530603	8533643	Cabinet
29	3405514	W10362431	Hinge And Pin Assembly
30	3406109	3406107	Door Switch Assembly
31	3403431		Strike, Panel
32	686590	279311	Ignitor
33	690363	18776	Lock, Front Top
34	685203	279220	Clip
35	3393909		Screw, 8-32 X 7/8
36	3405246		Seal, Door Push-To-Start
37	3389441		Door Catch Assembly
38	8066206	279827	Motor-Drve
39	348780		Base, Motor
40	W10131364	341241	Belt
41	3400500		Bolt, 3405245 5/16-18 X 3/4
42	691366		Idler And Pulley Assembly
43	W10121316		Plug, Multivent
44	8066184		Pulley, Motor

