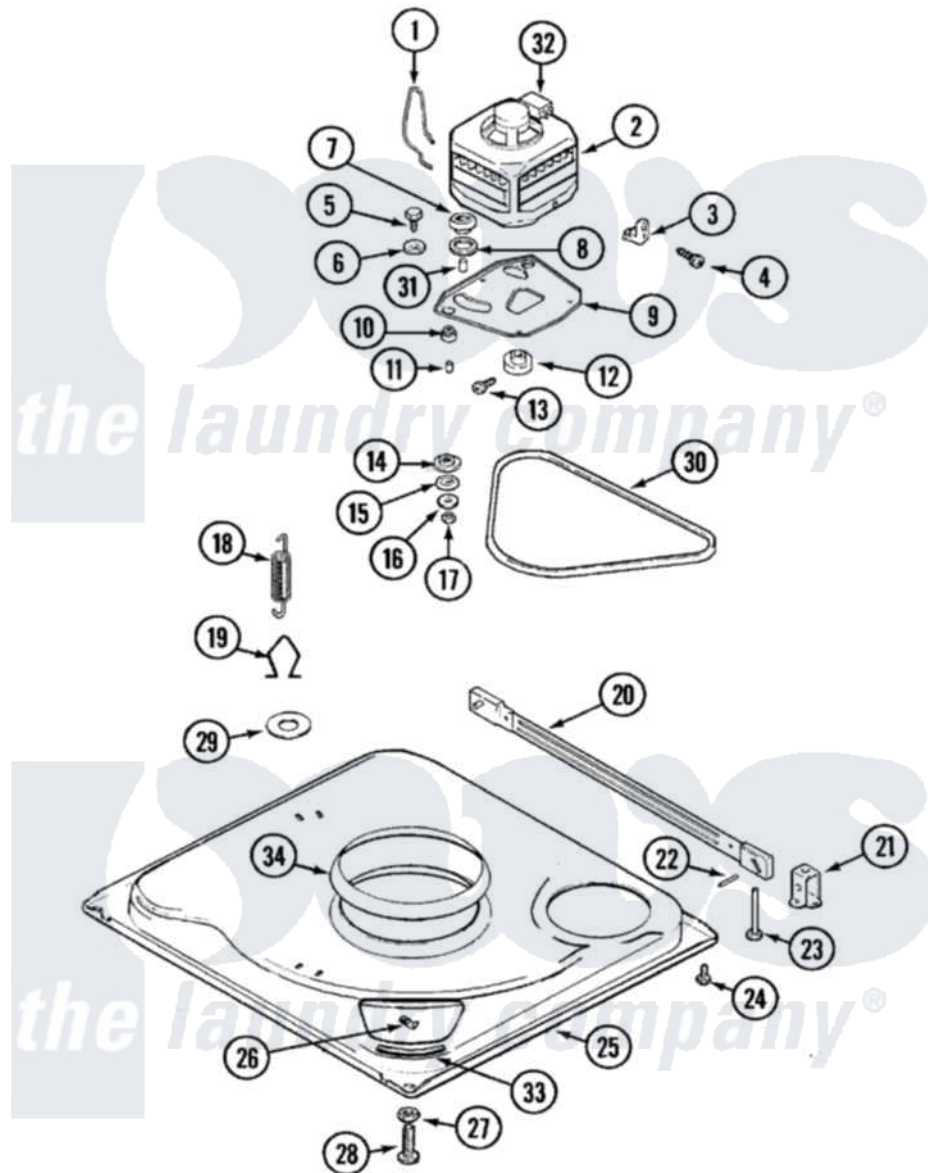


Admiral LATA400AAM 01 - BASE (LATA400AAM)



Admiral [Residential Admiral LATA400AAM Washer Parts](#) Parts Diagram 01 - BASE (LATA400AAM)
 Click on the part number to view part

Item	Original Part Number	Replaced By	Status	Part Description
1	35-0235			Spring, Motor Pivot
"	21001110	22004376		Spring, Motor Pivot
2	21001170			Motor And Pulley/Plate Assembly
"	21001400			Motor/Plate Assembly
"	LA-2002		Not Available	MOTOR KIT
3	33-9945			Slide, Foot
"	21001109	21001486		Foot Slide, Isolator
4	25-7418	33001178		Back, Tumbler
5	25-7833	21001977		Screw
6	25-7834			Washer, Motor/Base Screw
7	33-9946			Isolator, Motor
8	35-3570			Washer, Motor Pivot
9	21001111	21001783		Plate And Screw Assembly
"	35-2810	21001783		Plate And Screw Assembly
10	35-3646			Isolator, Motor Plate
"	35-3646			Isolator, Motor Plate

11	25-7831		Spacer, Mounting
12	21001108		Pulley, Motor
"	35-2124	W10143344	Pulley
13	25-7117		Set Screw
14	33-9943	35-3571	Slide, Motor Pivot
15	33-9967		Washer, Motor Isolator
16	25-7047		Washer, Flat
17	25-7325	Y707702	Locknut
18	35-3658		Spring, Suspension
"	21001138	22002922	Tool, Spring Removal
"	21001165		Spring, Suspension
19	35-2976	Not Available	HOOK, SUSPENSION SPRING
"	21001166		Hook, Suspension Spring
20	35-2049	21001881	Bar, Stabilizer
21	35-2046		Bracket, Stabilizer
22	35-2052		Pin, Stabilizer
23	35-3020	22004469	Leg And Foot Self Stabilizing
24	25-7828	489483	Screw 10-32 X 1/2
25	35-2984	Not Available	BASE
"	21001169	12002701	Base Kit
26	25-7838	25-7845	Speednut, Motor
27	25-7915		Hex Nut
28	35-0772	25001119	Foot And Pad Assembly
"	35-0837	25001119	Foot And Pad Assembly
29	Y25-7951		Washer, Suspension Hook
30	21352320		Belt, Drive
31	25-7830		Spacer
32	33-9765		Switch, Motor
33	35-2065		Pad, Motor Plate
34	21001161	21002026	Snubber
"	35-3788	21002026	Snubber

