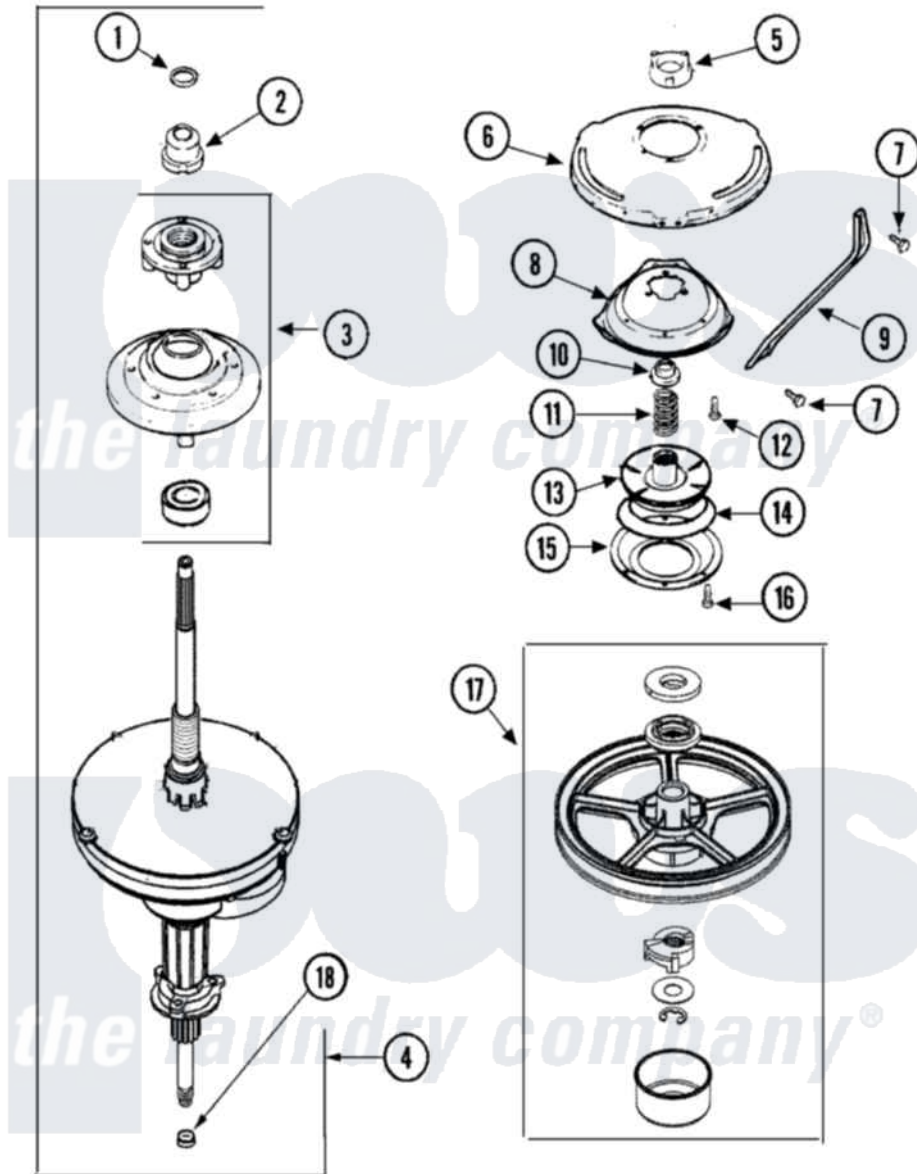


# Admiral LNC6766B71 08 - TRANSMISSION (SERIES 22)



Admiral Residential Admiral LNC6766B71 Washer Parts Parts Diagram 08 - TRANSMISSION (SERIES 22)  
 Click on the part number to view part

| Item | Original Part Number     | Replaced By               | Status | Part Description                |
|------|--------------------------|---------------------------|--------|---------------------------------|
| 1    | <a href="#">25-7941</a>  |                           |        | "O" Ring, Agr Drive Shaft       |
| 2    | 21001533                 | <a href="#">35-5655-1</a> |        | Seal                            |
| 3    | 21001868                 | <a href="#">W10219156</a> |        | Tub Seal                        |
| 4    | 21001867                 | <a href="#">35-6615</a>   |        | Ht TranS S                      |
| 5    | 21001511                 | <a href="#">12001562</a>  |        | Bearing Assembly                |
| 6    | <a href="#">21001518</a> |                           |        | Support, Tub                    |
| 7    | <a href="#">21001858</a> |                           |        | Screw 5/16-18 x 1/2             |
| 8    | <a href="#">21001163</a> |                           |        | Housing, Suspension             |
| 9    | <a href="#">21001532</a> |                           |        | Brace, Tub                      |
| 10   | <a href="#">35-2017</a>  |                           |        | Retainer, Brake Spring          |
| 11   | <a href="#">21001910</a> |                           |        | Spring, Brake                   |
| 12   | <a href="#">21001509</a> |                           |        | Screw, High Performance Plastic |
| 13   | 21002010                 | <a href="#">35-6714</a>   |        | Brake Roto                      |
| 14   | <a href="#">21002026</a> |                           |        | Snubber                         |
| 15   | <a href="#">35-6918</a>  |                           |        | Stator, Brake                   |
| 16   | <a href="#">21001065</a> |                           |        | Screw, No.10-24 x .50 Hxnibhd   |

