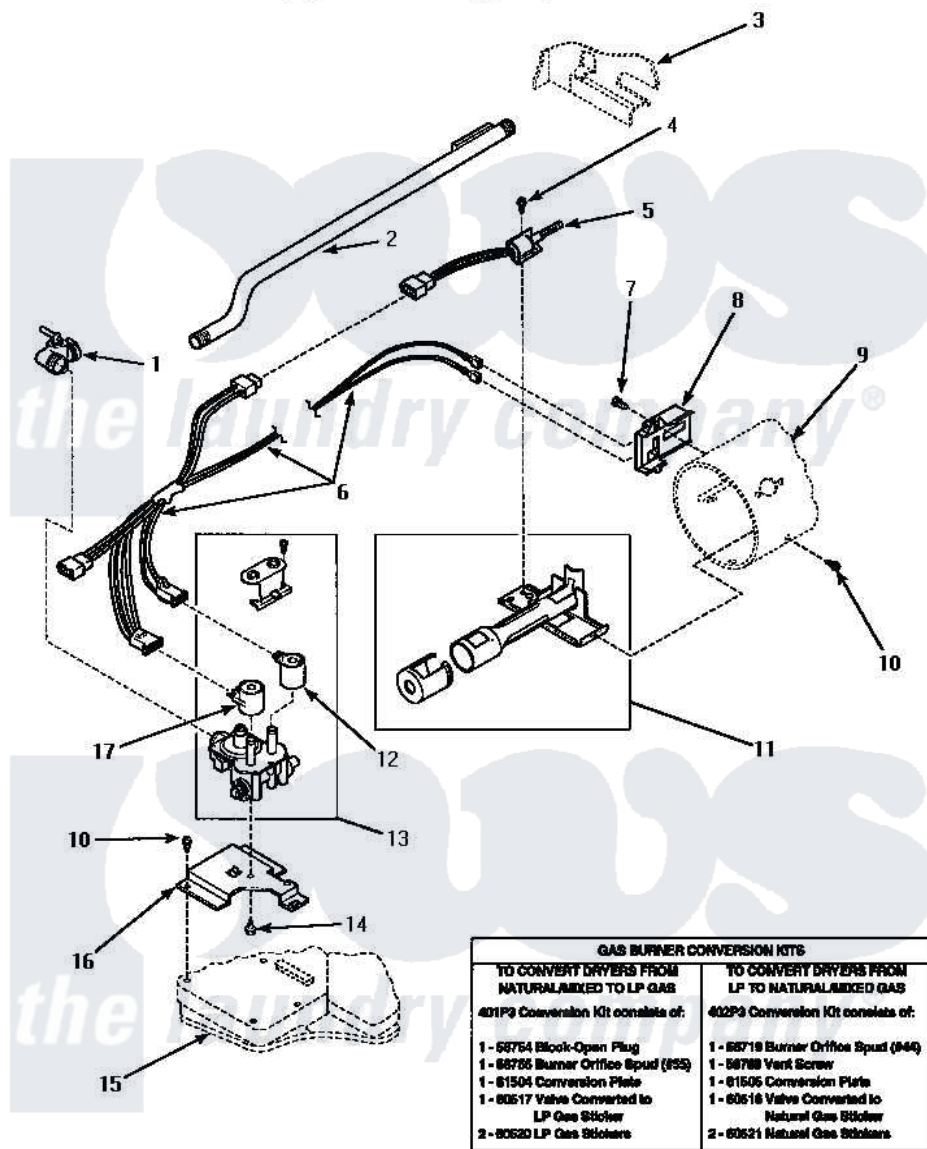


Amana LG4309W (BOM: P1163503W W) 05 - GAS VALVE, IGNITER & GAS CONVERSION KITS



GAS VALVE, IGNITER AND GAS CONVERSION KITS (Gas Model Dryers)

Amana [Residential Amana LG4309W \(BOM: P1163503W W\) Dryer Parts](#) Parts Diagram 05 - GAS VALVE, IGNITER & GAS CONVERSION KITS

[Click on the part number to view part](#)

| Item | Original Part Number | Replaced By | Status | Part Description |
|------|-----------------------|--------------------------|---------------|-----------------------------|
| 1 | Y56229 | 510205 | | Valve-Elbo |
| 2 | 500647 | 510204 | | Pipe |
| 3 | Y00000000 | | Not Available | SEE NOTE CABINET |
| 4 | 51782 | | Not Available | SCREW, 6B-20X5/16 |
| 5 | 60868 | 37001308 | | Ignitor |
| 6 | 60641 | 37001007 | | Harness, Wire |
| 7 | 23222 | 3177991 | | Screw |
| 8 | Y56231 | 338906 | | Radiant, Sensor |
| 9 | Y00000000 | | Not Available | SEE NOTE BURNER HOUSING |
| 10 | 501668 | 503688 | | Screw, 10B-16 X .34 I |
| 11 | Y56234 | 37001304 | | Burner Ign |
| 12 | 58804B | 694540 | | Coil, 60 Hz |
| 13 | 58804 | | | Assembly, Valve-Gas-Single- |
| 14 | 56124 | 3370225 | | Screw |

| | | | |
|----|-----------------------|------------------------|-----------------------------------|
| 15 | Y00000000 | Not Available | SEE NOTE BASE |
| 16 | 50821 | | Bracket, Mounting-Gas |
| 17 | 58804A | 306106 | Coil, Holding And Booster--W |
| NI | 58768 | 402P3 | Kit, Conversion-NG |
| " | 58754 | 401P3 | Kit, Conversion-LP |
| " | 58719 | 402P3 | Kit, Conversion-NG |
| " | 60521 | Not Available | STICKER,NG OR MIXED GAS |
| " | 60516 | | Sticker, Valve Converted |
| " | 60520 | Not Available | STICKER,LP GAS |
| " | 58755 | 401P3 | Kit, Conversion-LP |
| " | 61505 | Not Available | CONVERSION PLATE |
| " | 401P3 | | Kit, Conversion-LP |
| " | 402P3 | | Kit, Conversion-NG |
| " | 61504 | | Conversion Plate |
| " | 60517 | | Valve Converted To LP Gas Stic |

