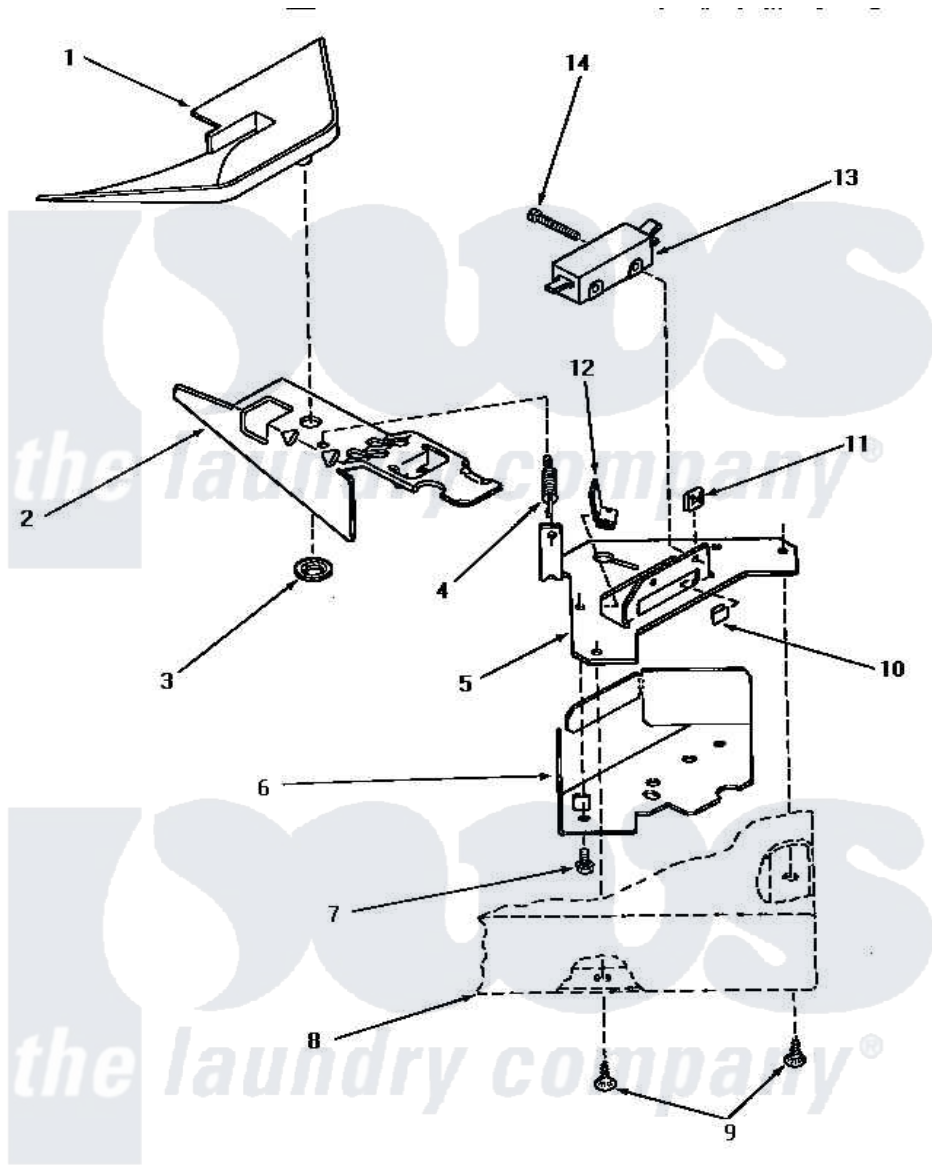


# Amana NA4621 10 - LOADING DOOR SWITCH & BRACKET ASSY



## LOADING DOOR SWITCH AND BRACKET ASSEMBLY

Amana [Residential Amana NA4621 Washer Parts](#) Parts Diagram 10 - LOADING DOOR SWITCH & BRACKET ASSY  
 Click on the part number to view part

| Item | Original Part Number   | Replaced By             | Status        | Part Description         |
|------|------------------------|-------------------------|---------------|--------------------------|
| 1    | 29042                  |                         | Not Available | SHIELD,LID SWITCH        |
| 2    | <a href="#">27602</a>  |                         |               | Lever, Out-Of-Bal Switch |
| 3    | <a href="#">29043</a>  |                         |               | Nut, Push                |
| 4    | <a href="#">27603</a>  |                         |               | Spring, Switch Lever     |
| 5    | 27250                  |                         | Not Available | BRACKET,OUT-OF-BAL SWI   |
| 6    | 33086                  |                         | Not Available | ENCLOSURE,LID SWITCH     |
| 7    | 23222                  | <a href="#">3177991</a> |               | Screw                    |
| 8    | Y00000000              |                         | Not Available | SEE NOTE CABINET TOP     |
| 9    | <a href="#">28193</a>  |                         |               | Screw, 8-1/2 Tapping W/  |
| 10   | <a href="#">27610</a>  |                         |               | Clip, U                  |
| 11   | 27248                  |                         | Not Available | NUT,SPEED U-TYPE         |
| 12   | <a href="#">Y27837</a> |                         |               | Clip, Speed-"U" Type     |
| 13   | 27249                  |                         | Not Available | SWITCH                   |
| 14   | Q6516                  |                         | Not Available | SCREW,6-32 X 1 ROUND H   |