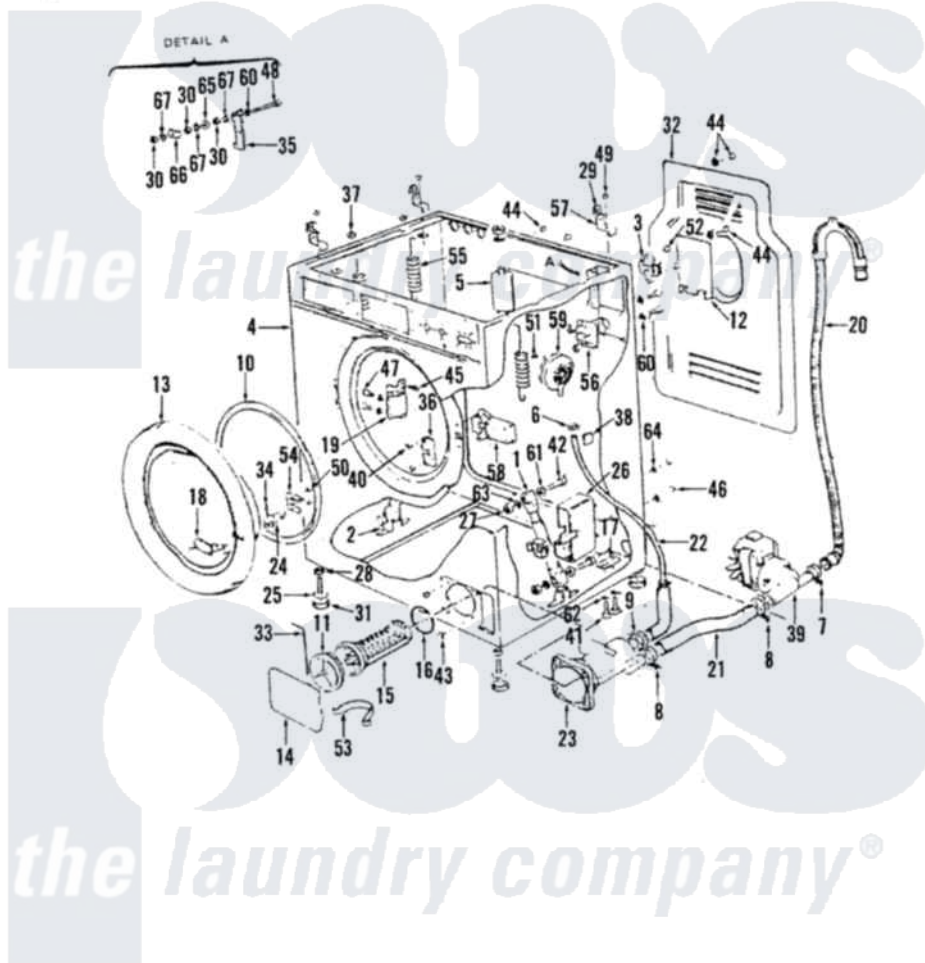


Magic Chef MWCP1085-A 01 - CABINET & DOOR



B-4

Magic Chef [Residential Magic Chef MWCP1085-A Washer Parts](#) Parts Diagram 01 - CABINET & DOOR
 Click on the part number to view part

Item	Original Part Number	Replaced By	Status	Part Description
1	113800436	113800434		Cushion
2	113800437		Not Available	CUSHION
3	116990173		Not Available	TERMINAL BLOCK
4	119100602		Not Available	AM CABINET ASM
5	116200723		Not Available	CAPACITOR
6	113200152	596669		Clamp, Manifold
7	113200202	22001376		Hose, Clamp
8	113200087	22001376		Hose, Clamp
9	113200354	285655		Clamp, Hose
10	113200489		Not Available	DOOR SEAL CLAMP
11	112901953		Not Available	FILTER COVER
12	111100679		Not Available	COVER
13	112990021		Not Available	DOOR ASM
14	111100775		Not Available	AM FILTER DOOR
15	112901952		Not Available	FILTER
16	114200280		Not Available	FILTER GASKET

17	114200266	Not Available	PUMP GASKET
18	119802497		Handle Assembly
19	113190122	Not Available	HINGE ASM
20	114300644	Not Available	DRAIN HOSE
21	114300665	Not Available	HOSE
22	119802461	Not Available	HOSE
23	112901951	Not Available	FILTER SHIELD
24	112300130		Locking Hook
25	991170135	Not Available	LEVELER
26	116190097	Not Available	MOTOR CONTROL
27	920153234	Not Available	NUT
28	920115235	Not Available	NUT
29	940073430	Not Available	NUT
30	920113418	Not Available	NUT
31	114400056	Not Available	PAD
32	111100657	Not Available	BACK PANEL
33	113900489	Not Available	PIN
34	113900056		Latch Pin
35	940018320	Not Available	PLATE
36	182990046	Not Available	PLATE
37	112902017	Not Available	PLUG
38	112901939	Not Available	HOSE PROTECTOR
39	116590661	Not Available	PROTECTOR
40	991633518	402020-103	Screw, Panel
41	917115230	Not Available	SCREW
42	917146134	Not Available	SCREW
43	991342230	Not Available	SCREW
44	995500001	Not Available	SCREW
45	912153130	Not Available	SCREW
46	912332234	Not Available	SCREW
47	912200001	Not Available	SCREW
48	911149414	Not Available	SCREW
49	912353335	Not Available	SCREW
50	912121136	Not Available	SCREW
51	994000001	Not Available	SCREW
52	912500100	Not Available	SCREW
53	113800431	Not Available	SPRING
54	113800428		Spring
55	113800438	Not Available	SPRING
56	972111910	Not Available	STRAIN RELIEF
57	111901059	Not Available	BRACKET
58	116102334		Door Switch
59	116102441	Not Available	PRESSURE SWITCH
60	930036328	Not Available	WASHER
61	930063324	Not Available	WASHER
62	930046331	Not Available	WASHER
63	930037320	Not Available	WASHER
64	930016333	Not Available	WASHER
65	930021415	Not Available	WASHER, GROUNDING PLATE
66	111901103	Not Available	WASHER
67	930024322	Not Available	WASHER