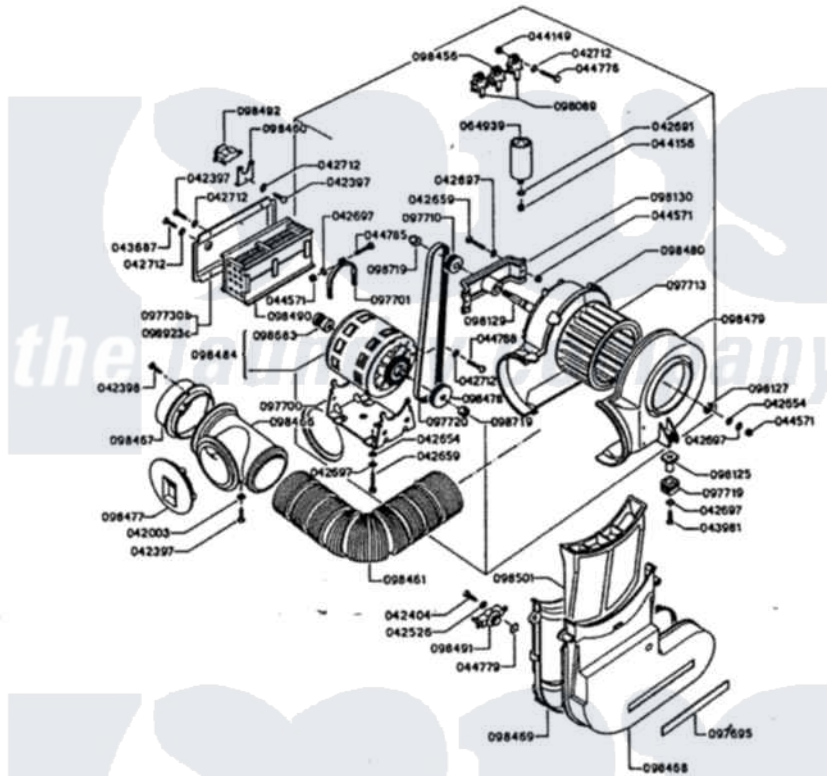


Magic Chef YE10AA12 04 - MOTOR (YE10AN12)



-MODELS COVERED:			From serial Number
b	c		
YE10AN-12 DCZ1040W	YE10AA-12 DCZ1040AM		

PM-1527-00

Magic Chef [Residential Magic Chef YE10AA12 Dryer Parts](#) Parts Diagram 04 - MOTOR (YE10AN12)
 Click on the part number to view part

Item	Original Part Number	Replaced By	Status	Part Description
1	042003		Not Available	FLAT WASHER
2	042397	8-1400-0-6		Small Round Box
3	042398		Not Available	SCREW
4	042404		Not Available	BOLT
5	042526		Not Available	FLAT WASHER
6	042654		Not Available	FLAT WASHER
7	042659		Not Available	SCREW
8	Y042691		Not Available	WASHER
9	042697		Not Available	LOCKWASHER
10	042712		Not Available	LOCKWASHER
11	043687		Not Available	SCREW
12	043981		Not Available	SCREW
13	044149		Not Available	NUT
14	044156		Not Available	NUT
15	044571		Not Available	NUT
16	044776		Not Available	BOLT

17	044779	Not Available	NUT
18	044785	Not Available	SCREW
19	044788	Not Available	SCREW
20	064939		Capacitor
21	097695	Not Available	FOAM TAPE
22	097700	Not Available	MOTOR MTG BRKT
23	097701	Not Available	MOTOR CLAMP
24	097710	Not Available	PULLEY
25	097713	Not Available	FAN
26	097719	Not Available	RUBBER GROMMET
27	097720	Not Available	BELT
29	098089	Not Available	TERMINAL BLOCK
30	098125	Not Available	PIVOT
31	098127	Not Available	RETAINING RING
32	098129		Fan Shaft
33	098130	098131	Shaft/Brkt Kit
34	098456	Not Available	TERMINAL BLOCK
35	098460	Not Available	TSTAT MTG CLIP
36	098461	Not Available	EXHAUST HOSE
37	098466	Not Available	HOSE CONNECTOR
38	098467	Not Available	RING NUT
39	098468	Not Available	CONVEYOR
40	Y098469	Not Available	CONVEYOR COVER
41	098477	Not Available	PLUG
42	098478	Not Available	PULLEY
43	098479	Not Available	FRONT SCROLL
44	098480	Not Available	BACK SCROLL
45	098484	Not Available	MOTOR & PULLEY
46	098490	Not Available	HEATER
47	098491	Not Available	THERMOSTAT
48	098492	Not Available	SAFETY TSTAT
49	098501	Not Available	FILTER ASM
50	098683	Not Available	MOTOR PULLEY
51	098719	Not Available	NUT
52	098923	Not Available	HEATER COVER

