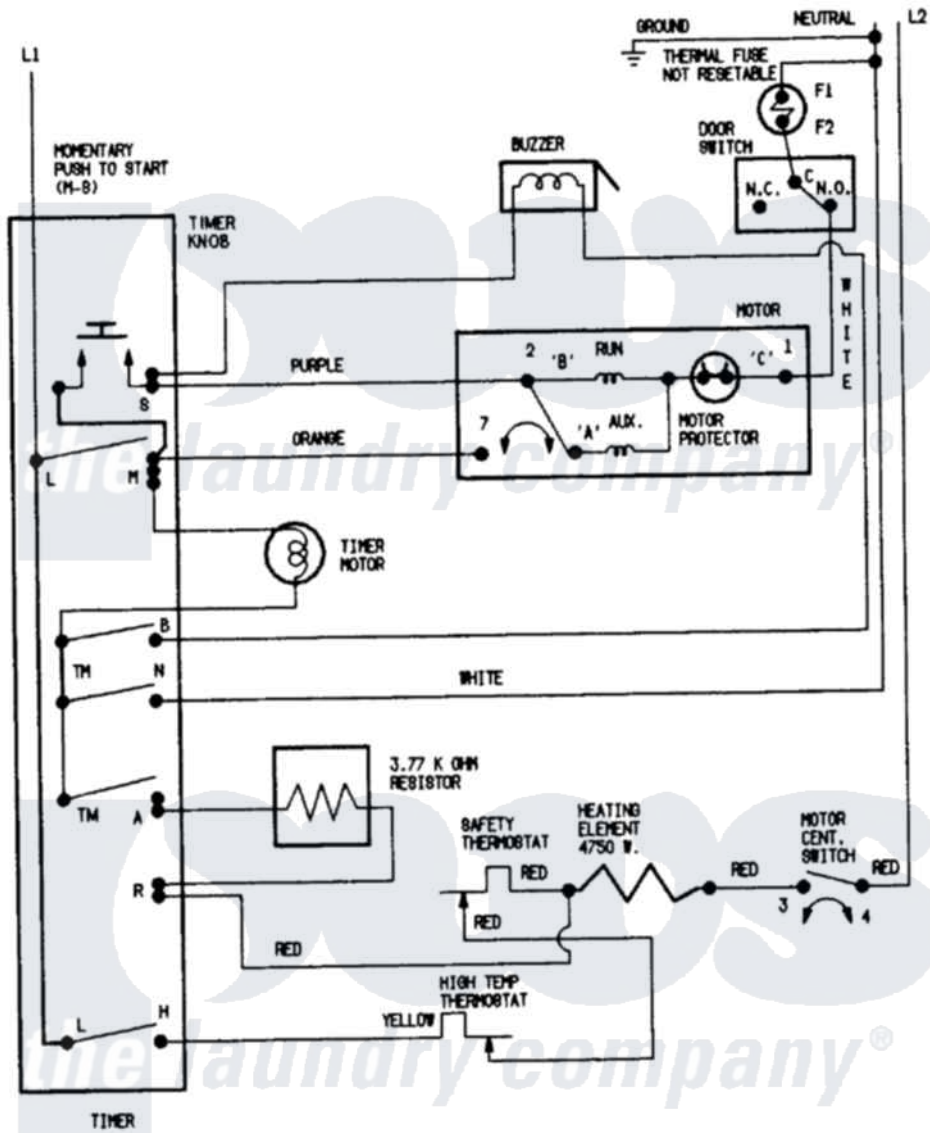


# Magic Chef YE225LVC 07 - WIRING INFORMATION (YE225LVC)



CONNECT DRYER TO 120/240 V.A.C., 60 HZ. INDIVIDUAL BRANCH CIRCUIT PROTECTED BY MAXIMUM 30 A. FUSES. ALWAYS GIVE THE SERIAL & MODEL NUMBERS WHEN WRITING ABOUT THIS DRYER OR ORDERING PARTS

Magic Chef [Residential Magic Chef YE225LVC Dryer Parts](#) Parts Diagram 07 - WIRING INFORMATION (YE225LVC)

[Click on the part number to view part](#)

Item	Original Part Number	Replaced By	Status	Part Description
NI	15002553		Not Available	WIRING INFORMATION
"	15001202		Not Available	WIRING INFORMATION