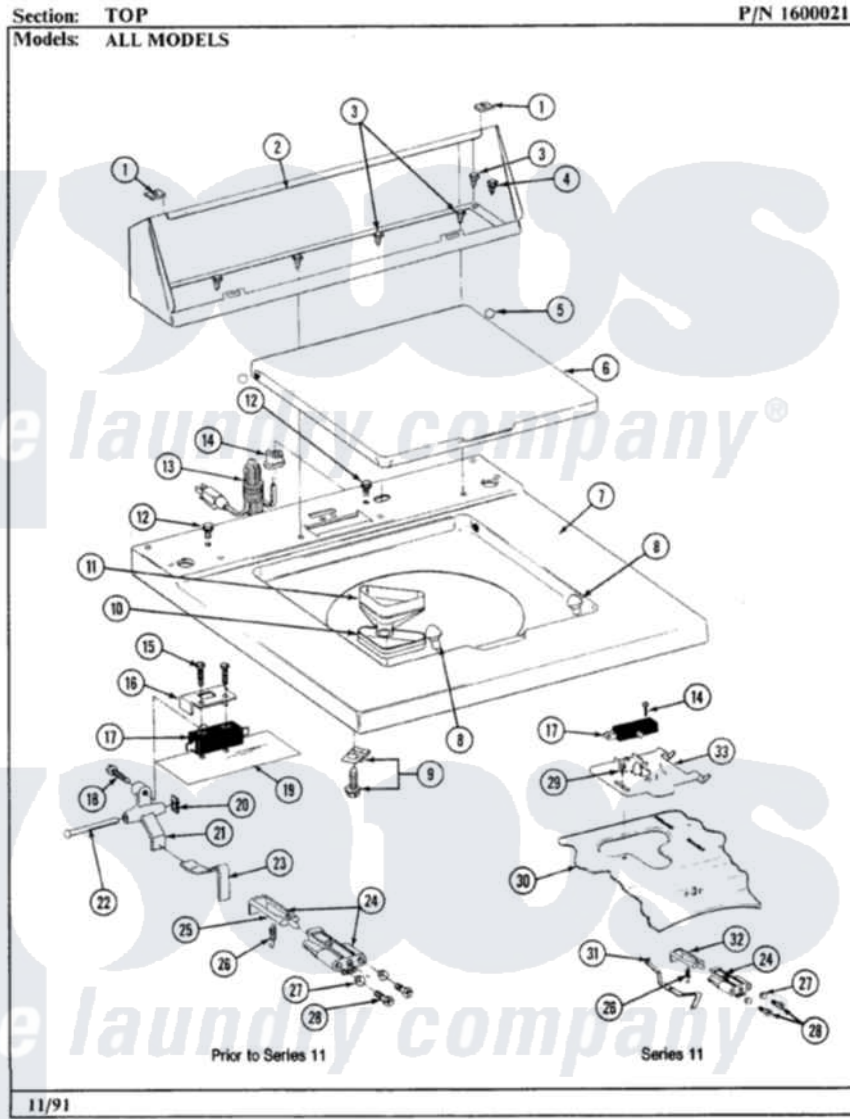


# Maytag A390 06 - TOP



12

Maytag [Residential Maytag A390 Washer Parts](#) Parts Diagram 06 - TOP  
Click on the part number to view part

| Item | Original Part Number   | Replaced By             | Status | Part Description                            |
|------|------------------------|-------------------------|--------|---|
| 1    | <a href="#">215075</a> |                         |        | Fastener, Control Panel To Console          |
| 2    | <a href="#">205635</a> |                         |        | Console                                     |
| 3    | 211294                 | <a href="#">90767</a>   |        | Screw, 8A X 3/8 HeX Washer Head Tapping     |
| 4    | 313551                 | <a href="#">31-3551</a> |        | Dw Minimanu                                 |
| 5    | <a href="#">211726</a> |                         |        | Hinge, Ball Lid                             |
| 6    | 212073                 |                         |        | LID (WHITE)                                 |
| 7    | <a href="#">205537</a> |                         |        | Top Cover-White                             |
| 8    | <a href="#">212716</a> |                         |        | Bumper, Lid                                 |
| 9    | <a href="#">204445</a> |                         |        | Screw And Fastener Assembly                 |
| 10   | <a href="#">214436</a> |                         |        | Gasket                                      |
| 11   | 214437                 | <a href="#">215577</a>  |        | Bleach Inlet White                          |
| 12   | 210186                 | <a href="#">3370225</a> |        | Screw                                       |
| 13   | <a href="#">204590</a> |                         |        | Cord, Power                                 |
| 14   | <a href="#">211881</a> |                         |        | Grommet, Cord Part Not Used-Gas Models Only |

|    |                        |                          |                                 |
|----|------------------------|--------------------------|---------------------------------|
| 15 | <a href="#">213501</a> |                          | Screw, No.6-20 X 1-1/8 Inch     |
| 16 | <a href="#">214898</a> |                          | Cover For Lid Switch            |
| 17 | 205415                 | <a href="#">279347</a>   | Switch-Lid                      |
| 18 | <a href="#">911267</a> |                          | Screw, Pump Cover               |
| 19 | <a href="#">214987</a> |                          | Moisture Barrier For Switch     |
| 20 | <a href="#">410635</a> |                          | Fastener                        |
| 21 | 214813                 | Not Available            | LEVER FOR LID SWITCH            |
| 22 | <a href="#">214805</a> |                          | Pin For Unbalance Lever         |
| 23 | 215236                 | <a href="#">214804</a>   | Unbalance Lever                 |
| 24 | <a href="#">204968</a> |                          | Plunger And Bracket Assembly--W |
| 25 | <a href="#">213718</a> |                          | Plunger, Lid Switch             |
| 26 | <a href="#">213720</a> |                          | Spring, Lid Switch              |
| 27 | <a href="#">211500</a> |                          | Washer, Bracket To Top Cover    |
| 28 | 910182                 | <a href="#">25-7809</a>  | Screw, No.6-20 1/2 Flthd Torx   |
| 29 | 207159                 | <a href="#">489355</a>   | Screw, 8 X 1/2                  |
| 30 | <a href="#">207170</a> |                          | Top Cover                       |
| 31 | <a href="#">215704</a> |                          | Lever, Unbalance                |
| 32 | 215700                 | Not Available            | LID SWITCH PLUNGER              |
| 33 | Y215699                | <a href="#">22001678</a> | Bracket, Switch And Fuse        |

