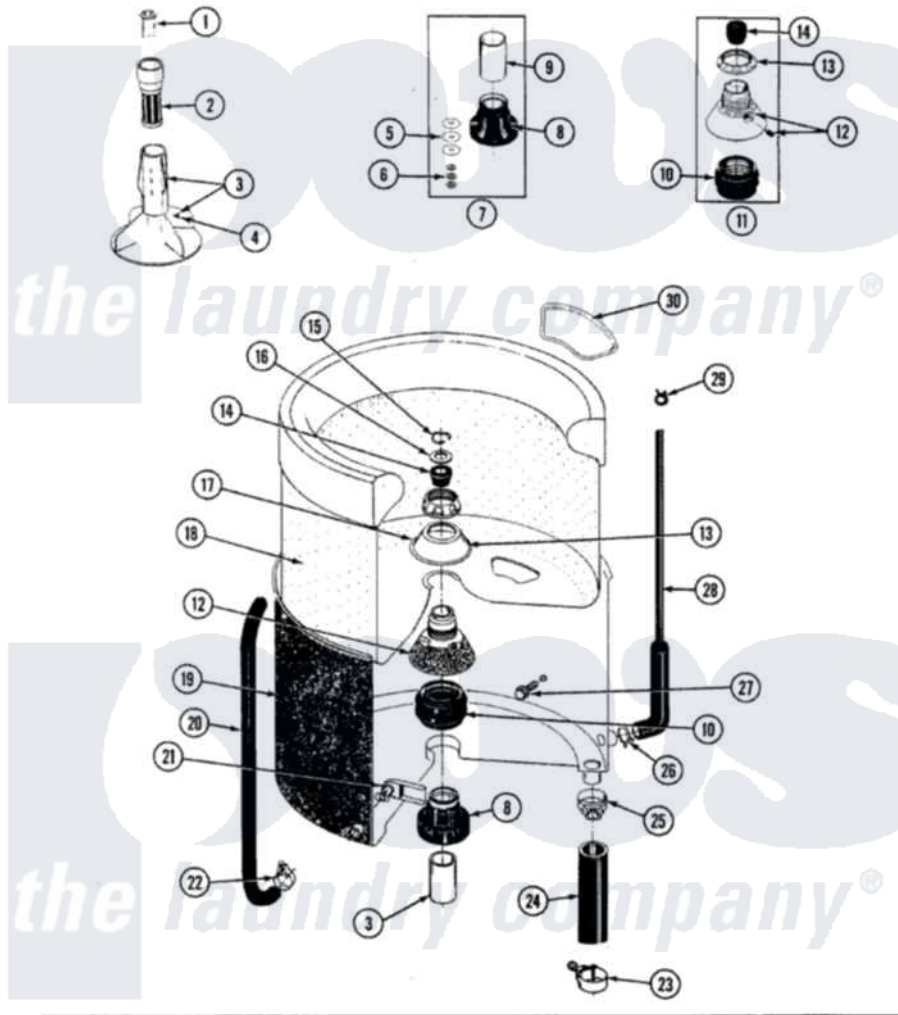


# Maytag A8210 08 - TUB ASSEMBLY

SECTION: TUB ASSEMBLY  
 MODEL: A8120 A8210

P/N 16000168



Issue Date: 5/91

12

Maytag [Residential Maytag A8210 Washer Parts](#) Parts Diagram 08 - TUB ASSEMBLY  
 Click on the part number to view part

Item	Original Part Number	Replaced By	Status	Part Description
1	<a href="#">215733</a>			Dispensing Cup
2	<a href="#">Y207427</a>			Lint Filter Shallow
3	<a href="#">207538</a>			Agitator W/Lock Screw
4	206478		Not Available	SCREW & WASHER FOR AGITATOR
5	<a href="#">211100</a>			Washer, Outer Tub
6	<a href="#">Y054867</a>			Washer, Lock
7	204013	<a href="#">6-2040130</a>		Tub Bearin
8	200824	<a href="#">6-2040130</a>		Tub Bearin
9	<a href="#">211130</a>			Bearing Liner, Tub Bearing
10	201537	<a href="#">6-2095720</a>		Mounting S
11	204012	<a href="#">6-2095720</a>		Mounting S
12	202521	<a href="#">6-2095720</a>		Mounting S
13	211047	<a href="#">6-2110472</a>		Nut- Clamp
14	Y0A4298	<a href="#">6-0A57420</a>		Seal- Agitator
15	<a href="#">Y015667</a>			Retaining Ring
16	<a href="#">Y015666</a>			Washer, Retaining -

17	<a href="#">211210</a>		Washer, Clamping Nut
18	207830	Not Available	INNER TUB W/PLUG
19	205486	Not Available	PART NOT USED
20	<a href="#">214495</a>		Tube, Inlet To Tub
21	<a href="#">214434</a>		Spout, Deflector
22	205161	<a href="#">489503</a>	Clamp
23	202574	<a href="#">3367052</a>	Clamp, Hose
24	<a href="#">Y212989</a>		Hose, Outer Tub To Pump
25	200900	<a href="#">616099</a>	Clamp
26	<a href="#">211641</a>		Clamp, 1-1/16"
27	200744	<a href="#">W10175939</a>	Bolt
"	205254	<a href="#">W10175938</a>	Bolt
28	212942	<a href="#">22001619</a>	Tube, Water Level Switch
29	410296	<a href="#">596669</a>	Clamp, Manifold
30	<a href="#">215980</a>		Plug, Filter Hole

