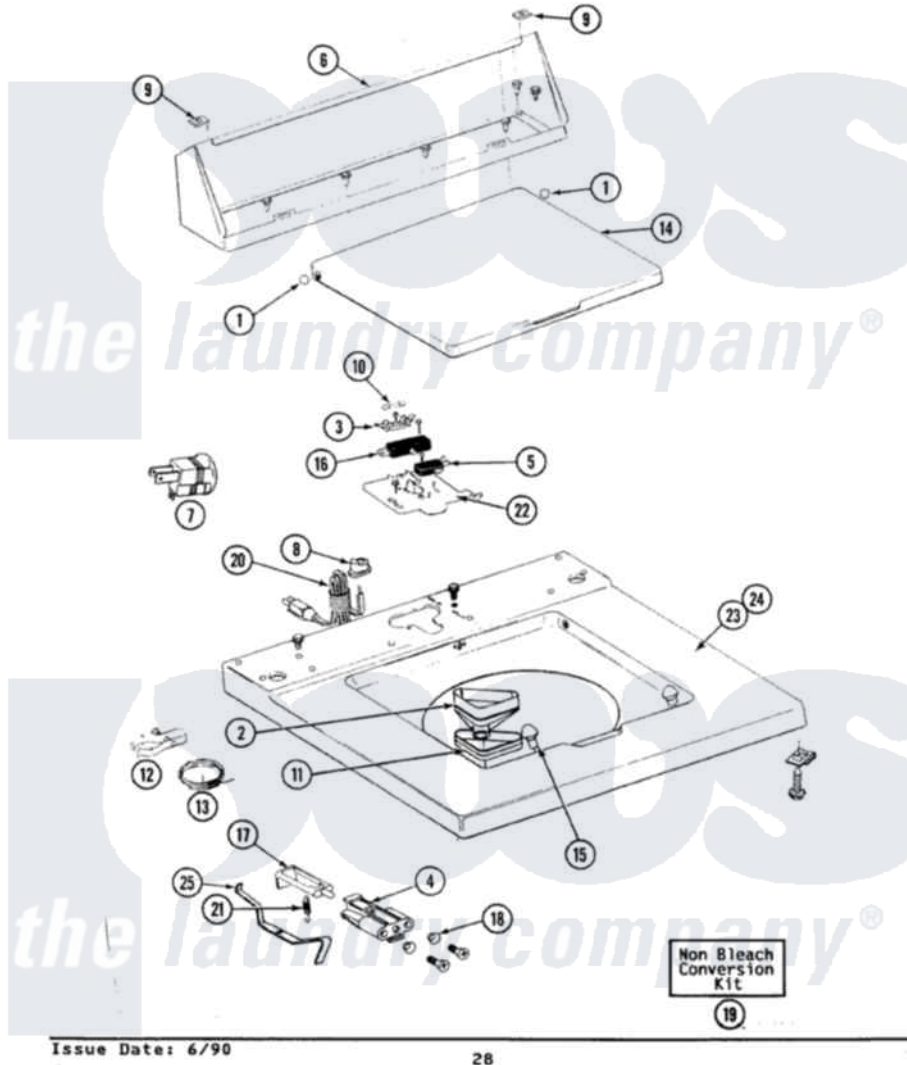


# Maytag A8420 06 - TOP COVER, CONSOLE & LID SWITCH

SECTION: TOP COVER, CONSOLE & LID SWITCH

MODEL: ALL MODELS



Issue Date: 6/90

28

Maytag Residential Maytag A8420 Washer Parts Parts Diagram 06 - TOP COVER, CONSOLE & LID SWITCH

Click on the part number to view part

Item	Original Part Number	Replaced By	Status	Part Description
1	<a href="#">211726</a>			Hinge, Ball Lid
2	<a href="#">215577</a>			Bleach Inlet White
3	215705	<a href="#">Y311711</a>		Screw, Fuse Block
"	<a href="#">207167</a>			Block, Fuse
4	216256		Not Available	BRACKET, UNBALANCE
"	910182	<a href="#">25-7809</a>		Screw, No.6-20 1/2 Flthd Torx
"	214279	<a href="#">204968</a>		Plunger And Bracket Assembly--W
5	912012	<a href="#">3400409</a>		Screw
"	<a href="#">207166</a>			Switch, Check
6	211294	<a href="#">90767</a>		Screw, 8A X 3/8 HeX Washer Head Tapping
"	<a href="#">Y313559</a>			Screw
7	<a href="#">Y201808</a>			Converter
8	<a href="#">211881</a>			Grommet, Cord Part Not Used-Gas Models Only
9	<a href="#">215075</a>			Fastener, Control Panel To Console

10	207168	<a href="#">22001682</a>	Switch Assembly, Lid W/4amp Fuse
11	<a href="#">214436</a>		Gasket
12	<a href="#">301548</a>		Clamp, Ground Wire
13	<a href="#">311155</a>		Ground Wire And Clamp
14	212073		LID (WHITE)
15	<a href="#">212716</a>		Bumper, Lid
16	205415	<a href="#">279347</a>	Switch-Lid
"	<a href="#">213501</a>		Screw, No.6-20 X 1-1/8 Inch
17	208591	Not Available	KIT, PLUNGER & BRACKET
"	215700	Not Available	LID SWITCH PLUNGER
18	<a href="#">211500</a>		Washer, Bracket To Top Cover
19	<a href="#">205997</a>		Non-Bleach Conversion Kit
20	<a href="#">204590</a>		Cord, Power
"	210186	<a href="#">3370225</a>	Screw
21	<a href="#">213720</a>		Spring, Lid Switch
22	207159	<a href="#">489355</a>	Screw, 8 X 1/2
"	Y215699	<a href="#">22001678</a>	Bracket, Switch And Fuse
23	<a href="#">207170</a>		Top Cover
"	210186	<a href="#">3370225</a>	Screw
24	210186	<a href="#">3370225</a>	Screw
"	<a href="#">207172</a>		Top Cover
25	<a href="#">215704</a>		Lever, Unbalance

