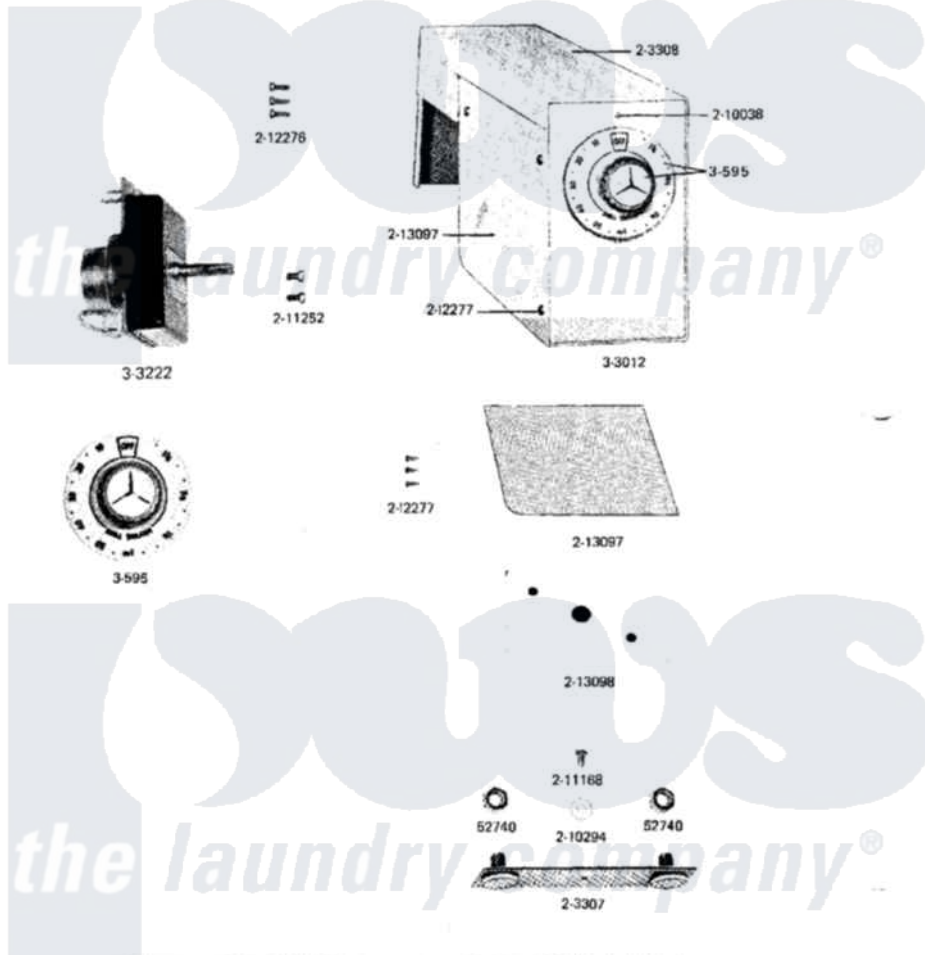


MODELS DE & DG16
CA CONTROL CENTER



Copyright 1968 THE MAYTAG COMPANY • Newton, Iowa • Printed in U.S.A. (Revised 11-73)

Maytag Residential Maytag DG16CA Dryer Parts Parts Diagram 03 - CA CONTROL CENTER
Click on the part number to view part

Item	Original Part Number	Replaced By	Status	Part Description
001	NLA		Not Available	KNOB AND DIAL
002	NLA		Not Available	CONTROL CENTER-WHITE
003	Y303222			TIMER RPR
004	NLA		Not Available	MTG. STRAP---NA
005	NLA		Not Available	OUTER CASE-WHITE
006	NLA		Not Available	BUTTON MARKER
007	210294	910309		Washer, Mounting Strap
008	211168	W10139210		Screw, 8-18 X 5/16
009	211252			Screw, Ground Wire
010	212276	W10116760		Screw
011	212277			Screw, No.8 X 1/2 Inch
012	NLA		Not Available	ACCESS DOOR FOR TIMER
013	NLA		Not Available	GASKET UNDER CONTROL CENTER
014	Y052740	62739		Nut, Lock