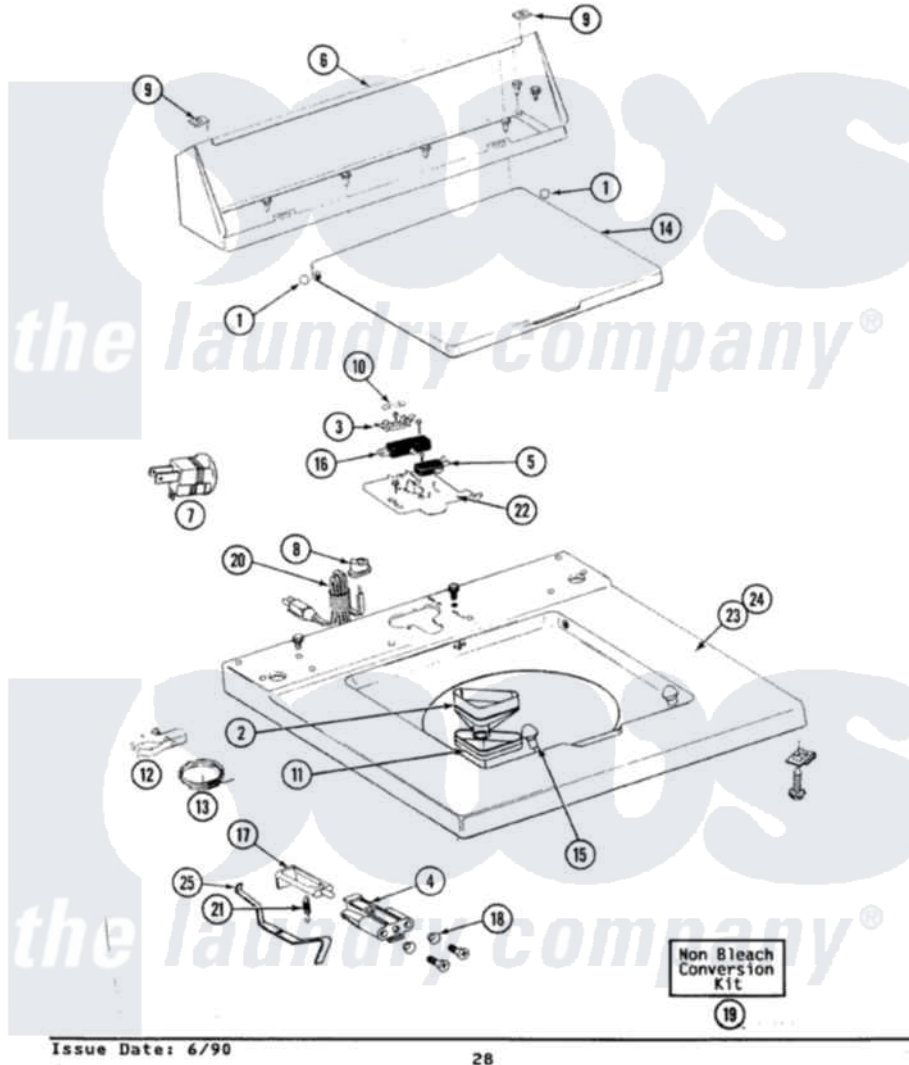


Maytag LA8100 06 - TOP COVER, CONSOLE & LID SWITCH

SECTION: TOP COVER, CONSOLE & LID SWITCH
 MODEL: ALL MODELS



Issue Date: 6/90

28

Maytag [Residential Maytag LA8100 Washer Parts](#) Parts Diagram 06 - TOP COVER, CONSOLE & LID SWITCH
 Click on the part number to view part

Item	Original Part Number	Replaced By	Status	Part Description
1	211726			Hinge, Ball Lid
2	215578			Bleach Inlet Almond
3	215705	Y311711		Screw, Fuse Block
"	207167			Block, Fuse
4	216256		Not Available	BRACKET, UNBALANCE
"	214279	204968		Plunger And Bracket Assembly--W
"	910182	25-7809		Screw, No.6-20 1/2 Flthd Torx
5	912012	3400409		Screw
"	207166			Switch, Check
6	211294	90767		Screw, 8A X 3/8 HeX Washer Head Tapping
"	Y313559			Screw
"	205635L		Not Available	CONSOLE (ALM)
7	Y201808			Converter
8	211881			Grommet, Cord Part Not Used-Gas Models Only

9	215075		Fastener, Control Panel To Console
10	207168	22001682	Switch Assembly, Lid W/4amp Fuse
11	214436		Gasket
12	301548		Clamp, Ground Wire
13	311155		Ground Wire And Clamp
14	212073L	Not Available	LID-ALMOND
15	212716		Bumper, Lid
16	205415	279347	Switch-Lid
"	213501		Screw, No.6-20 X 1-1/8 Inch
17	215700	Not Available	LID SWITCH PLUNGER
"	208591	Not Available	KIT, PLUNGER & BRACKET
18	211500		Washer, Bracket To Top Cover
19	205997		Non-Bleach Conversion Kit
20	210186	3370225	Screw
"	204590		Cord, Power
21	213720		Spring, Lid Switch
22	207159	489355	Screw, 8 X 1/2
"	Y215699	22001678	Bracket, Switch And Fuse
23	207170L		Top Cover Assembly ALM---NA
"	210186	3370225	Screw
"	204445		Screw And Fastener Assembly
24	207172L		Top Cover Assembly ALM---NA
"	204445		Screw And Fastener Assembly
"	210186	3370225	Screw
25	215704		Lever, Unbalance

the laundry company[®]

the laundry company[®]