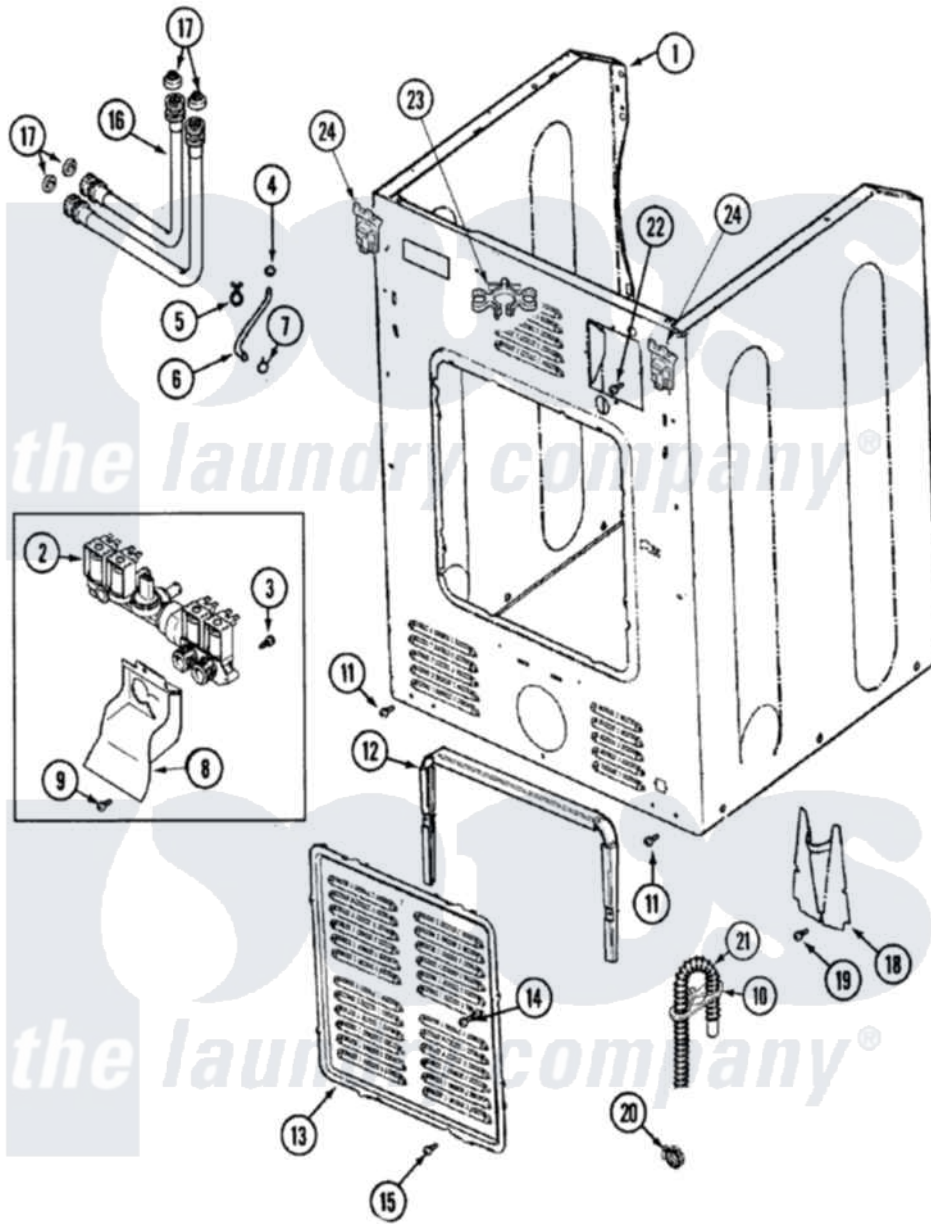


# Maytag MAH4000BWW 03 - CABINET-REAR



Maytag [Residential Maytag MAH4000BWW Washer Parts](#) Parts Diagram 03 - CABINET-REAR  
 Click on the part number to view part

Item	Original Part Number	Replaced By	Status	Part Description
1	22002444			LABEL, ENERGY
"	22002445		Not Available	LABEL, SAFETY
"	22002548	<a href="#">22003639</a>		Cabinet Assembly
2	<a href="#">22002795</a>			Valve, Water
3	<a href="#">22002436</a>			Screw, Water Valve Bracket
4	22002054	<a href="#">285655</a>		Clamp, Hose
5	22002027	<a href="#">74007164</a>		Lock- Purs
6	22002179	<a href="#">8539404</a>		Tie-Wire
"	<a href="#">22002296</a>			Hose, Injector
7	216169	<a href="#">596669</a>		Clamp, Manifold
8	<a href="#">33002212</a>			Bracket, Water Valve
9	22001996	<a href="#">3370225</a>		Screw
10	22002076	<a href="#">33002213</a>		Rack, Hose
11	<a href="#">22001995</a>			Screw Note: Screw, Tumbler Front And Shroud
12	<a href="#">22002022</a>			Spacer, Access Panel
13	<a href="#">22002092</a>			Panel, Access

"	<a href="#">22004355</a>		Rear Access Panel
14	22002295	<a href="#">67006908</a>	Screw, Ice Rack
"	22002925	<a href="#">3370225</a>	Screw
15	22001996	<a href="#">3370225</a>	Screw
16	<a href="#">202860</a>		Inlet Hose Assembly
"	22002229	<a href="#">22002960</a>	Strainer, Washer Inlet
17	<a href="#">Y013783</a>		Washer, Inlet Hose
18	22002093	<a href="#">22002704</a>	Cover, Drain Hose
19	<a href="#">22001995</a>		Screw Note: Screw, Tumbler Front And Shroud
20	22001984	<a href="#">285655</a>	Clamp, Hose
21	<a href="#">22002932</a>		Clip, Drain Hose
"	22002893	<a href="#">8539404</a>	Tie-Wire
"	22002891	<a href="#">12001807</a>	Drain Hose Kit
22	<a href="#">33001245</a>		Screw---NA
23	<a href="#">22002892</a>		Retainer, Drain Hose
24	22003367	<a href="#">22004095</a>	Hinge, Plastic
"	<a href="#">22001995</a>		Screw Note: Screw, Tumbler Front And Shroud

