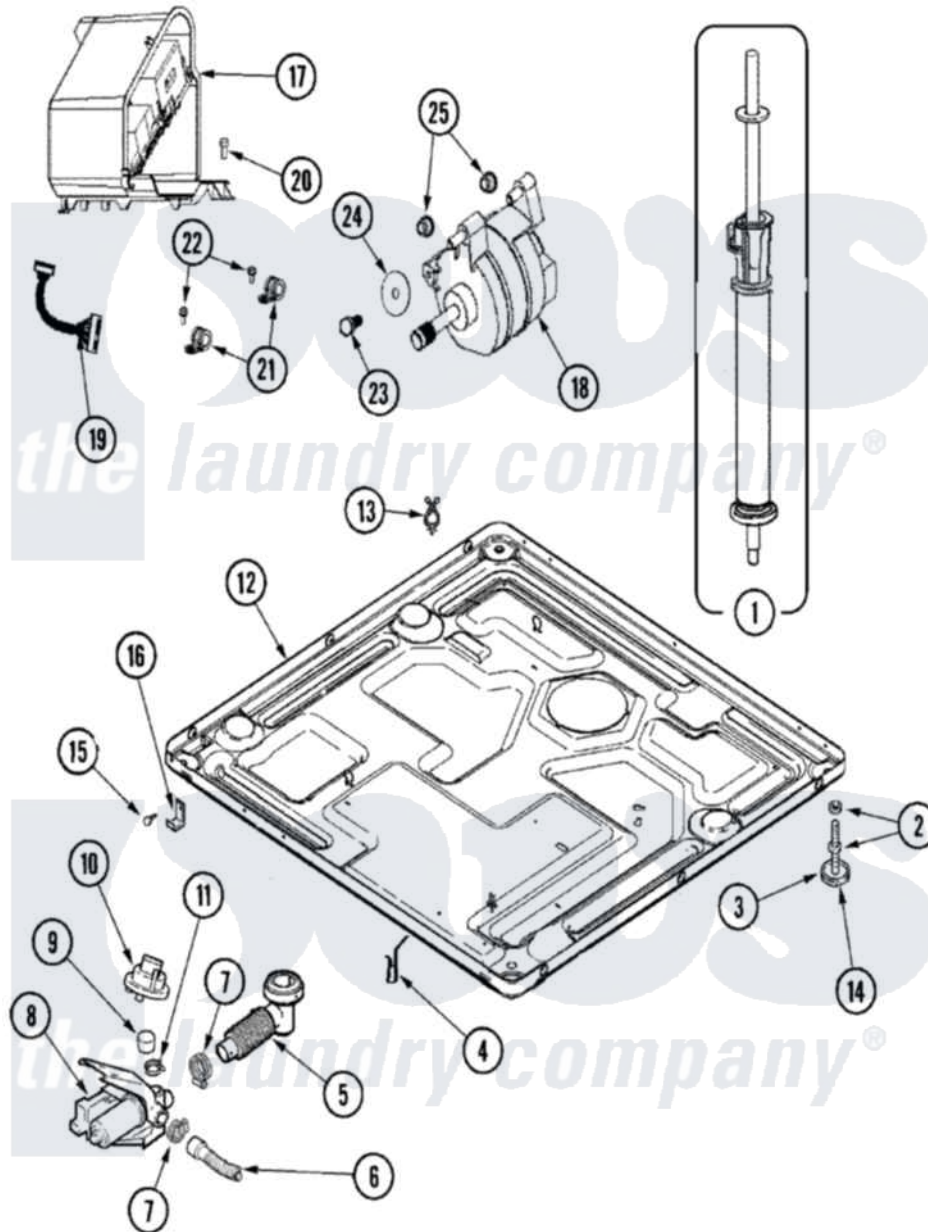


# Maytag MAH6500AWW 01 - BASE, MOTOR & MOTOR CONTROL



Maytag Residential Maytag MAH6500AWW Washer Parts Parts Diagram 01 - BASE, MOTOR & MOTOR CONTROL  
 Click on the part number to view part

| Item | Original Part Number     | Replaced By              | Status        | Part Description              |
|------|--------------------------|--------------------------|---------------|-------------------------------|
| 1    | <a href="#">22001988</a> |                          |               | Strut Assembly-Rear           |
| 2    | Y052740                  | <a href="#">62739</a>    |               | Nut, Lock                     |
| 3    | 22001915                 | <a href="#">22003544</a> |               | Adjustable Leg W/Foot And Nut |
| 4    | <a href="#">22002244</a> |                          |               | Clip, Grounding               |
| 5    | <a href="#">22003262</a> |                          |               | Hose, Tub To Pump Outlet      |
| 6    | 22003319                 | <a href="#">12001807</a> |               | Drain Hose Kit                |
| 7    | 202515                   | <a href="#">596669</a>   |               | Clamp, Manifold               |
| 8    | 22003244                 | <a href="#">25001052</a> |               | Pump Assembly                 |
| "    | <a href="#">25001012</a> |                          |               | Pump Isolator Bracket         |
| 9    | <a href="#">22003268</a> |                          |               | Cap, Rubber                   |
| 10   | 22003250                 | <a href="#">12001891</a> |               | Switch-WL                     |
| "    | <a href="#">22004500</a> |                          |               | Switch, Pressure-2 Level      |
| "    | 22003265                 |                          | Not Available | BAG, PLASTIC W/DRAWSTRING     |
| 11   | 22002853                 | <a href="#">285655</a>   |               | Clamp, Hose                   |
| 12   | <a href="#">22003605</a> |                          |               | Base Weld Assembly            |

|    |                          |                           |   |
|----|--------------------------|---------------------------|---|
| "  | 212276                   | <a href="#">W10116760</a> | Screw                                       |
| 13 | <a href="#">22003298</a> |                           | Retainer, Wire                              |
| 14 | <a href="#">210684</a>   |                           | Foot, Adjustable Leg                        |
| 15 | <a href="#">22001995</a> |                           | Screw Note: Screw, Tumbler Front And Shroud |
| 16 | <a href="#">22002239</a> |                           | Clip, Front Panel                           |
| 17 | <a href="#">22001995</a> |                           | Screw Note: Screw, Tumbler Front And Shroud |
| "  | <a href="#">22001995</a> |                           | Screw Note: Screw, Tumbler Front And Shroud |
| "  | <a href="#">22001995</a> |                           | Screw Note: Screw, Tumbler Front And Shroud |
| "  | <a href="#">22004473</a> |                           | Motor Control Assembly                      |
| "  | <a href="#">22004473</a> |                           | Motor Control Assembly                      |
| "  | <a href="#">22004046</a> |                           | Control Assembly, Motor                     |
| "  | <a href="#">22004473</a> |                           | Motor Control Assembly                      |
| 18 | <a href="#">22003856</a> |                           | Motor, Variable Speed                       |
| 19 | 22004047                 | <a href="#">22004212</a>  | Motor Harness                               |
| "  | <a href="#">Y2205141</a> |                           | Harness, Wire                               |
| "  | 2205140                  | <a href="#">22004499</a>  | Harness, Wire                               |
| 20 | 22002300                 | <a href="#">9740848</a>   | Screw, Mixing Valve Mounting                |
| 21 | <a href="#">22004102</a> |                           | P Clips                                     |
| 22 | 22004047                 | <a href="#">22004212</a>  | Motor Harness                               |
| 23 | <a href="#">22003686</a> |                           | Bolt, Motor                                 |
| 24 | <a href="#">22002320</a> |                           | Washer, Belt Tension Bolt                   |
| 25 | <a href="#">22003329</a> |                           | Isolator, Motor                             |

*the laundry company®*

*the laundry company®*