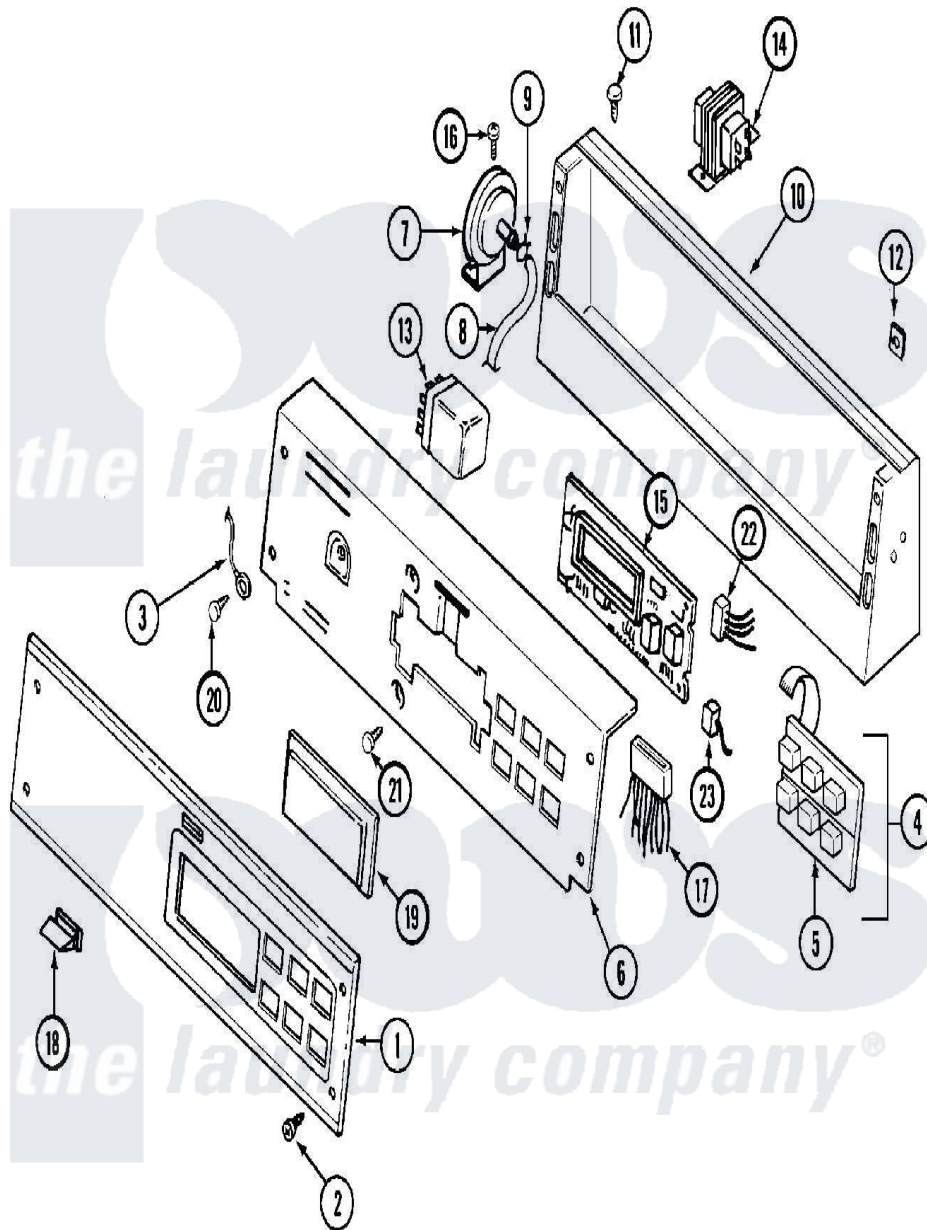


# Maytag MAT12PDLAQ 01 - CONTROL PANEL



Maytag [Residential Maytag MAT12PDLAQ Washer Parts](#) Parts Diagram 01 - CONTROL PANEL  
 Click on the part number to view part

Item	Original Part Number	Replaced By	Status	Part Description
001	<a href="#">2202536</a>			Facia, Pd/Ps
002	<a href="#">215506</a>			Screw, Control Panel Overlay
003	<a href="#">22001959</a>			Wire, Ground
004	206808	<a href="#">W10135389</a>		Push Button And Switch Assembly
"	<a href="#">215526</a>			Screw, Circuit Board
005	33002863	<a href="#">W10131113</a>		Push Button
006	<a href="#">22003098</a>			Bracket, Back
"	<a href="#">22003099</a>			Bracket, Back
007	<a href="#">2202532</a>			Switch, Pressure - Commer
008	<a href="#">22001619</a>			Tube, Water Level Switch
009	22003295	<a href="#">285655</a>		Clamp, Hose
010	<a href="#">22004476</a>			Cover, Control Bisque
"	<a href="#">2202540</a>			Cover, Control Assembly
011	212276	<a href="#">W10116760</a>		Screw
012	<a href="#">215003</a>			Fastener, Panel And Bracket
013	<a href="#">206421</a>			Relay, Motor Reversing

"	206824	<a href="#">W10133335</a>	Relay, Motor
014	211294	<a href="#">90767</a>	Screw, 8A X 3/8 HeX Washer Head Tapping
"	<a href="#">22001960</a>		Transformer
"	<a href="#">Y313559</a>		Screw
015	<a href="#">22002954</a>		Deflector, Water
"	<a href="#">2202537</a>		Board, Control
"	<a href="#">33001204</a>		Stand-Off, Ccontrol Board
"	<a href="#">912077</a>		Locknut, Reader Harness
016	211294	<a href="#">90767</a>	Screw, 8A X 3/8 HeX Washer Head Tapping
017	<a href="#">2202538</a>		Harness, Wire - PD
018	<a href="#">214610</a>		Bumper, Lid
019	22001962	<a href="#">W10131114</a>	Cover, Display
020	210186	<a href="#">3370225</a>	Screw
021	215527	<a href="#">W10140652</a>	Screw, 6-20 X 1/2
022	<a href="#">22001965</a>		Optic Switch Assembly
023	<a href="#">22001966</a>		Harness, Sensor Switch

