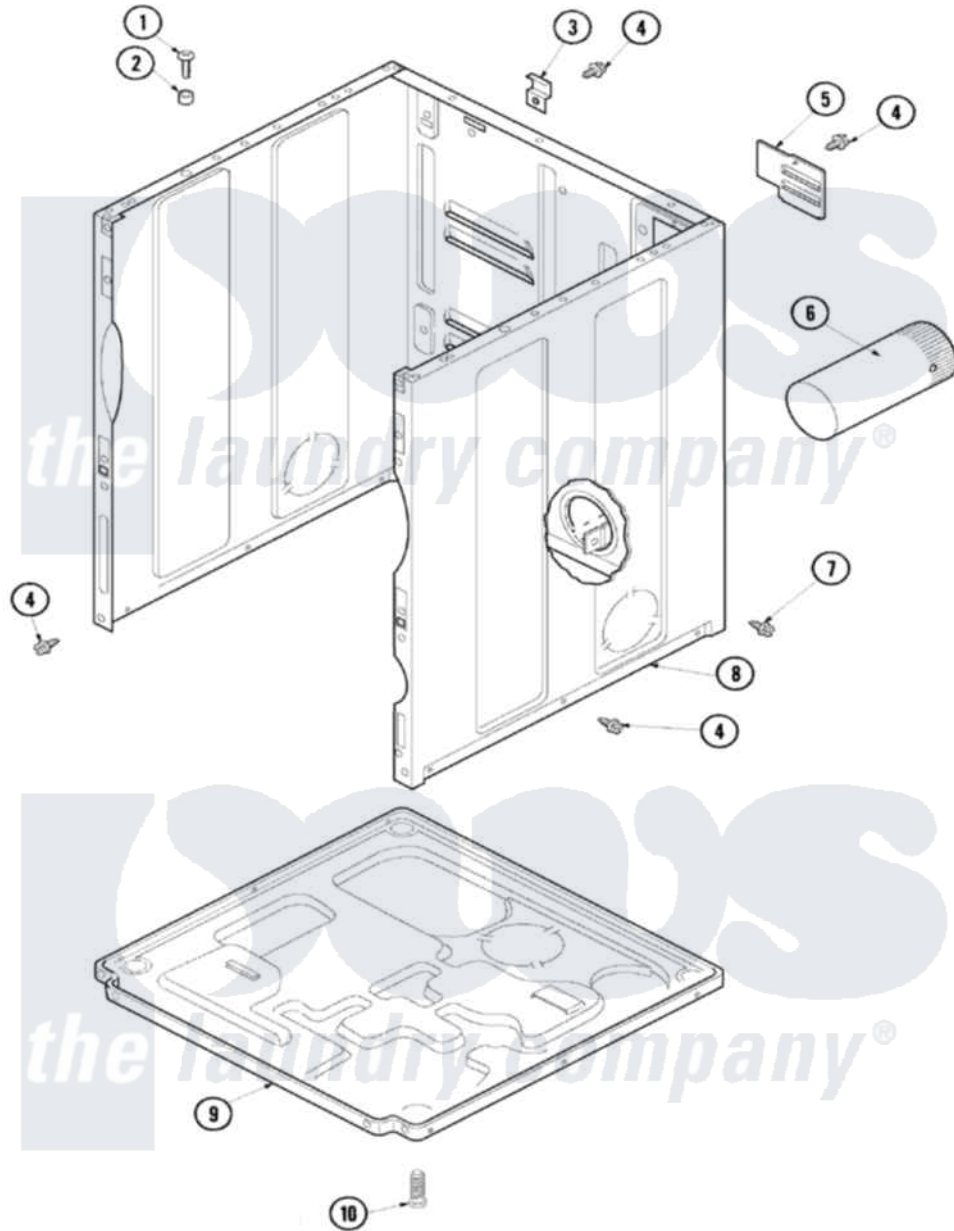


Maytag SDG2606AWW 01 - CABINET & BASE



Maytag Residential Maytag SDG2606AWW Dryer Parts Parts Diagram 01 - CABINET & BASE
 Click on the part number to view part

Item	Original Part Number	Replaced By	Status	Part Description
1	32671	Y014874		Screw, Idler Arm And Sleeve
2	505187			Locator, Panel
3	500003			Hinge, Top
4	503661	27001200		Screw
5	500114	510903		Plate Access Panel
6	505518			Duct, Exhaust
7	503688			Screw, 10B-16 X .34 I
8	40076402WP	37001284		Cabinet As Pack
9	500070			Base, Dryer
10	Y500101			Leg, Leveling
11	33002494	33002778		Power Cord