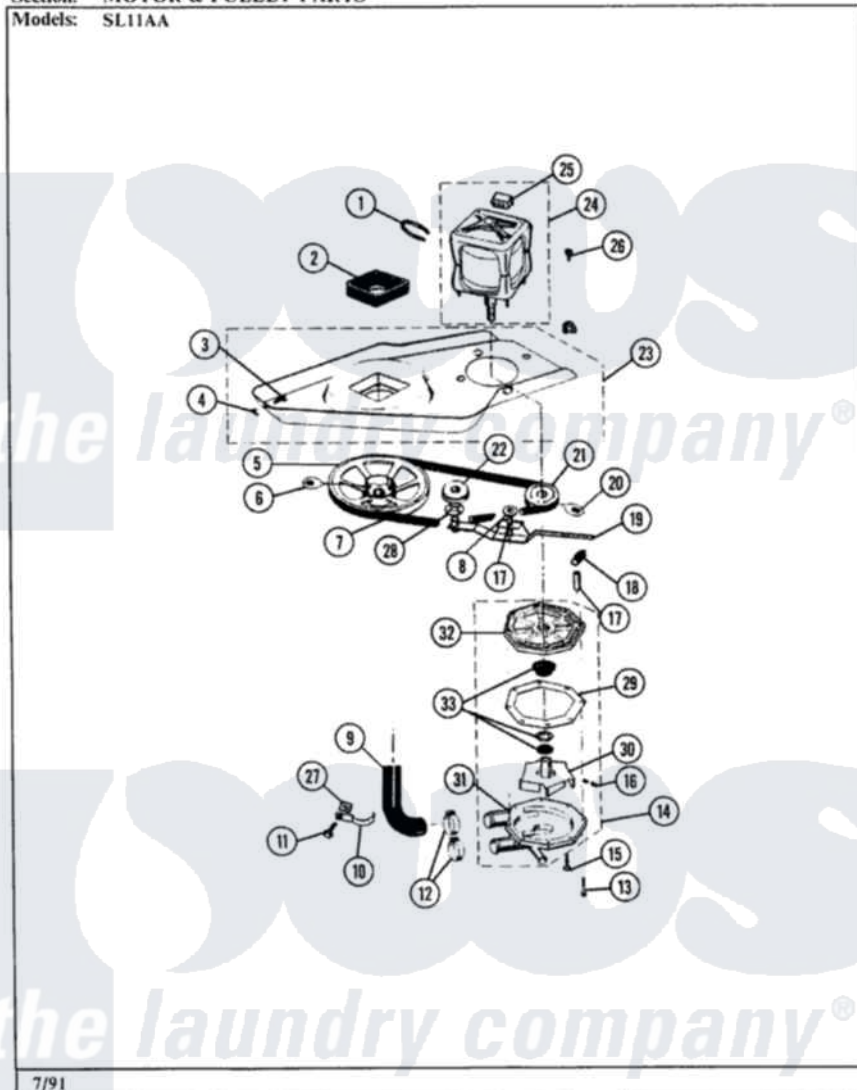


# Maytag SL11AA 03 - MOTOR & PULLEY PARTS

Section: MOTOR & PULLEY PARTS

Models: SL11AA



7/91

Maytag Residential Maytag SL11AA Stacked Washer and Dryer Parts Parts Diagram 03 - MOTOR & PULLEY PARTS

Click on the part number to view part

Item	Original Part Number	Replaced By	Status	Part Description
1	01500070		Not Available	TIE
2	01500071		Not Available	CUSHION
3	01500072		Not Available	BOLT
4	01500073		Not Available	LOCKNUT
5	<a href="#">01500074</a>			Pulley-Transmission
6	01500075		Not Available	SET SCREW
7	Y01500076	<a href="#">Y01500202</a>		Belt
8	<a href="#">01500077</a>			Bushing
9	01500078		Not Available	HOSE
10	Y01500079	<a href="#">211448</a>		Clamp
11	Y01500080	<a href="#">489355</a>		Screw, 8 X 1/2
12	Y01500081	<a href="#">285655</a>		Clamp, Hose
13	01500082		Not Available	SCREW
14	Y01500083		Not Available	PUMP CMPLT
15	01500084		Not Available	SCREW
16	01500085		Not Available	SCREW

17	01500086	Not Available	SPACER
18	01500087	Not Available	SPRING
19	01500088	Not Available	IDLER ARM ASSY
20	01500089	Not Available	SET SCREW
21	<a href="#">01500090</a>		Pulley Motor
22	<a href="#">01500091</a>		V-Pulley-Idler Arm
23	01500092	Not Available	SUPPORT PLATE & BOLD
24	<a href="#">01500093</a>		Motor And Switch
25	<a href="#">01500094</a>		Switch Motor
26	01500095	Not Available	SCREW GROUND
27	01500096	Not Available	SPEED NUT
28	01500097	Not Available	SPRING WASHER
29	01500098	Not Available	GASKET
30	<a href="#">01500099</a>		Impeller Kit
31	01500100	Not Available	HOUSING, PUMP
32	01500101	Not Available	COVER PUMP
33	01500102	Not Available	SEAL KIT

