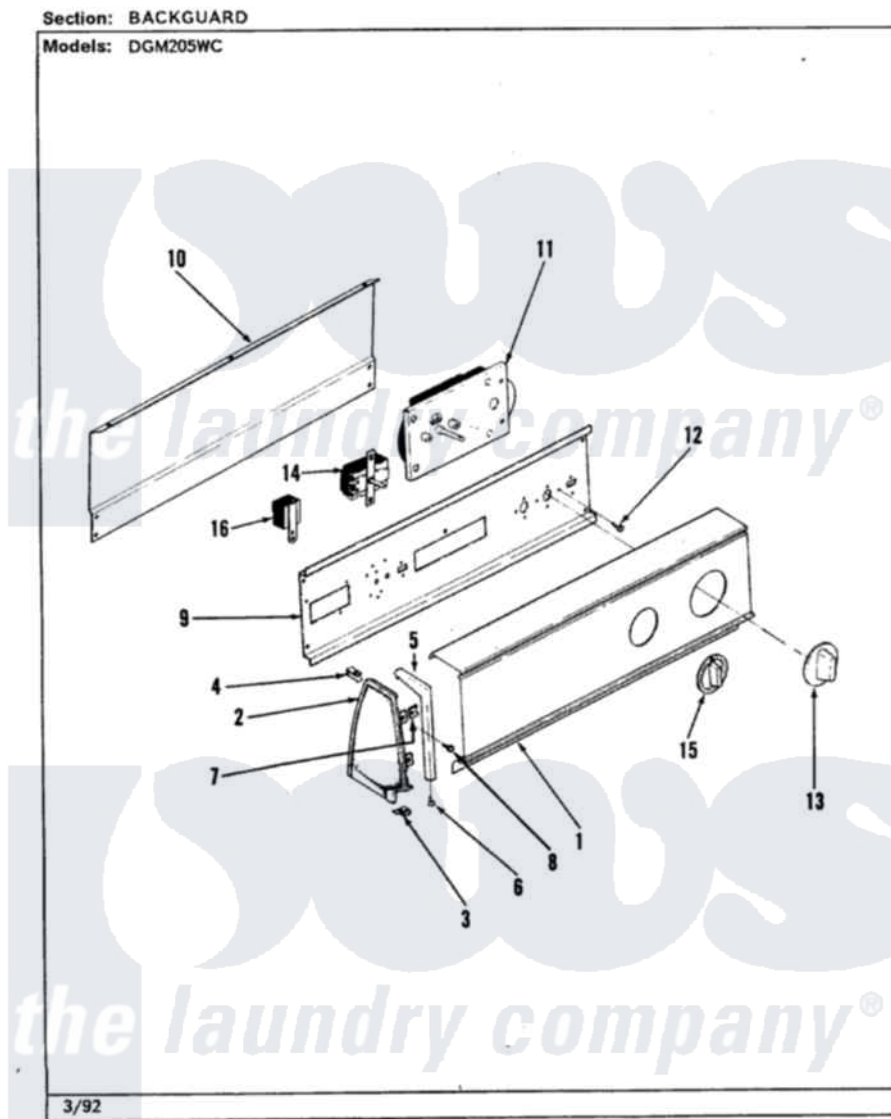


# Norge DGM205WC 01 - CONTROL PANEL (REV. A)(WHT)



Norge [Residential Norge DGM205WC Dryer Parts](#) Parts Diagram 01 - CONTROL PANEL (REV. A)(WHT)

[Click on the part number to view part](#)

| Item | Original Part Number    | Replaced By              | Status        | Part Description                        |
|------|-------------------------|--------------------------|---------------|---|
| 1    | 53-1825                 |                          | Not Available | CONTROL PANEL                           |
| 2    | 35-2669                 |                          | Not Available | CAP, END (LT)(WHT)                      |
| "    | 25-7649                 | <a href="#">910187</a>   |               | Screw                                   |
| "    | <a href="#">25-7702</a> |                          |               | Speedclip, End Cap To Control Panel     |
| "    | 35-2668                 | <a href="#">21001453</a> |               | Cap- End                                |
| 3    | <a href="#">25-7851</a> |                          |               | Speedclip, End Cap To Top               |
| "    | 25-7697                 | <a href="#">25-2219</a>  |               | Screw                                   |
| 4    | 25-7435                 | <a href="#">33002917</a> |               | Screw, No.10-16                         |
| 5    | 53-0277                 |                          | Not Available | TRIM, END CAP (RT)                      |
| "    | 53-0278                 |                          | Not Available | TRIM, END CAP (LT)                      |
| 6    | <a href="#">25-7760</a> |                          |               | Screw                                   |
| 7    | <a href="#">25-7702</a> |                          |               | Speedclip, End Cap To Control Panel     |
| 8    | 25-3092                 | <a href="#">90767</a>    |               | Screw, 8A X 3/8 HeX Washer Head Tapping |
| 9    | 53-2504                 | <a href="#">31001193</a> |               | Pad, Shield                             |

|    |                         |                          |   |
|----|-------------------------|--------------------------|---|
| "  | <a href="#">53-1676</a> |                          | Shield, Control                         |
| 10 | 35-2688                 | <a href="#">21001460</a> | Shield, Rear                            |
| 11 | 63-6752                 |                          | Not Available                           |
| "  | <a href="#">53-1758</a> |                          | TIMER MOTOR                             |
| "  | <a href="#">53-1758</a> |                          | Timer                                   |
| "  | 53-1303                 |                          | Not Available                           |
| "  | <a href="#">53-1303</a> |                          | TIMER                                   |
| 12 | 25-0205                 | <a href="#">216412</a>   | Screw, Bracket To Timer                 |
| "  | 25-7435                 | <a href="#">33002917</a> | Screw, No.10-16                         |
| 13 | 53-1828                 | <a href="#">53-2129</a>  | Knob, And Skirt Assembly                |
| 14 | 53-0344                 |                          | Not Available                           |
| "  | <a href="#">53-0344</a> |                          | SWITCH, TEMPERATURE                     |
| "  | 25-3092                 | <a href="#">90767</a>    | Screw, 8A X 3/8 HeX Washer Head Tapping |
| 15 | 35-2940                 | <a href="#">21001239</a> | Knob, Selector                          |
| 16 | 25-3092                 | <a href="#">90767</a>    | Screw, 8A X 3/8 HeX Washer Head Tapping |
| "  | 53-1829                 |                          | Not Available                           |
| "  | <a href="#">53-1829</a> |                          | MANUAL, USE & CARE                      |
| "  | <a href="#">53-1666</a> |                          | Buzzer - Adjustable                     |

