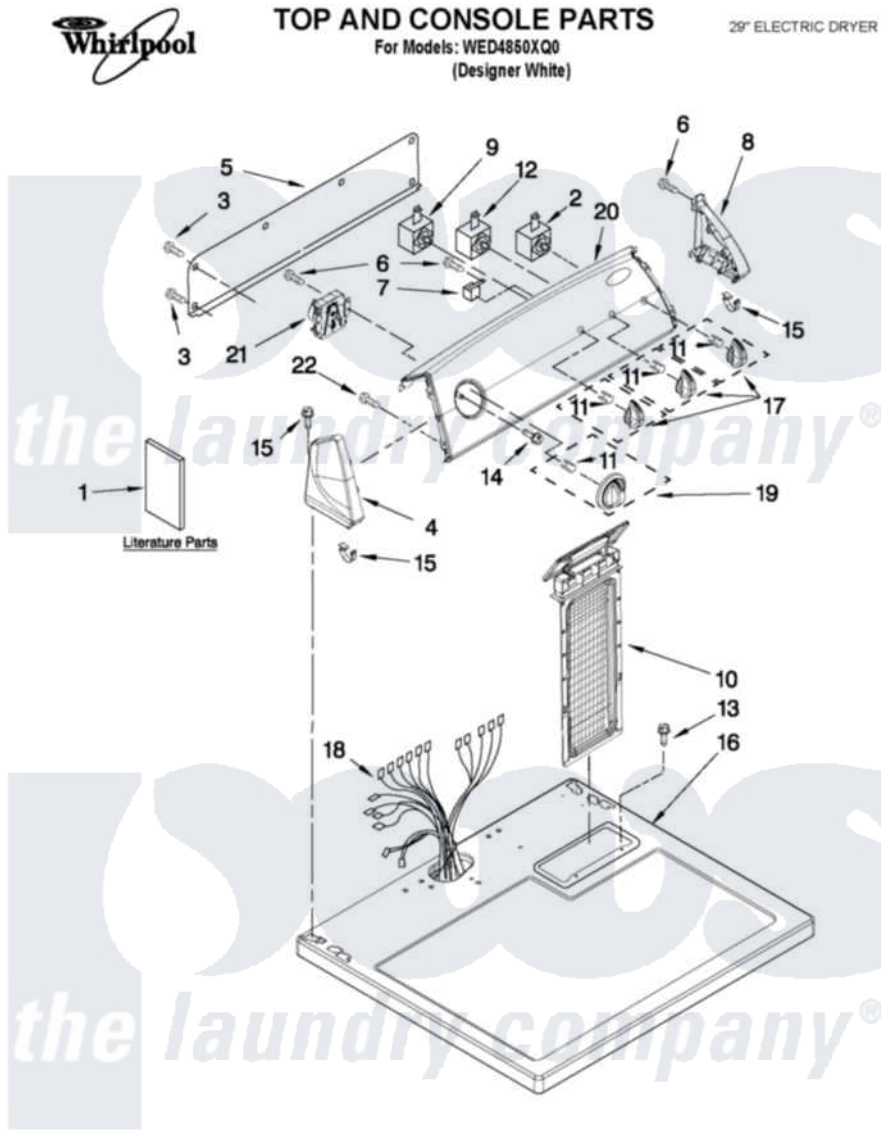


# Whirlpool WED4850XQ0 01 - TOP AND CONSOLE PARTS



FOR ORDERING INFORMATION REFER TO PARTS PRICE LIST

2-11 Litho in U.S.A. (LT) (psw)

1

Part No. W10389491 Rev. A

Whirlpool Residential Whirlpool WED4850XQ0 Dryer Parts Parts Diagram 01 - TOP AND CONSOLE PARTS

[Click on the part number to view part](#)

| Item | Original Part Number      | Replaced By             | Status        | Part Description                        |
|------|---------------------------|-------------------------|---------------|---|
| 1    | W10096987                 |                         | Not Available | INSTRUCTIONS, INSTALLATION              |
| "    | W10096986                 |                         | Not Available | GUIDE, USE & CARE                       |
| "    | W10185985                 |                         | Not Available | Wiring Diagram                          |
| 2    | <a href="#">W10117655</a> |                         |               | Switch, Push-To-Start                   |
| 3    | <a href="#">693995</a>    |                         |               | Screw, Hex Head                         |
| 4    | 8566035                   | <a href="#">8565957</a> |               | Cap, End                                |
| 5    | <a href="#">W10103406</a> |                         |               | Panel, Rear Console                     |
| 6    | 3348629                   | <a href="#">90767</a>   |               | Screw, 8A X 3/8 HeX Washer Head Tapping |
| 7    | <a href="#">694419</a>    |                         |               | Mini-Buzzer                             |
| 8    | 8566032                   | <a href="#">8565954</a> |               | Cap, End                                |
| 9    | <a href="#">3399639</a>   |                         |               | Switch, Rotary Temperature              |
| 10   | <a href="#">8557857</a>   |                         |               | Screen, Lint                            |
| 11   | <a href="#">8536939</a>   |                         |               | Clip, Knob                              |
| 12   | <a href="#">3405156</a>   |                         |               | Switch, Rotary                          |
| 13   | 688082                    | <a href="#">487210</a>  |               | Screw, For Mtg. Service                 |

|    |                           |                         |                                    |
|----|---------------------------|-------------------------|------------------------------------|
| 13 | 000903                    | <a href="#">407440</a>  | Capacitor                          |
| 14 | 8533974                   | <a href="#">4331106</a> | Screw, No.10-32 X 7/16             |
| 15 | <a href="#">8312709</a>   |                         | Clip-Console                       |
| 16 | 8559800                   | <a href="#">8563663</a> | Top                                |
| 17 | <a href="#">W10034380</a> |                         | Knob, Control                      |
| 18 | <a href="#">W10346395</a> |                         | Harness, Wiring                    |
| 19 | <a href="#">W10034750</a> |                         | Timer Knob Assembly                |
| 20 | <a href="#">W10097052</a> |                         | Control Panel And Bracket Assembly |
| 21 | <a href="#">W10185982</a> |                         | Timer Assembly                     |
| 22 | <a href="#">3400808</a>   |                         | Screw. Mounting                    |

